

Installation Instruction

WARNING

- To reduce the risk of death, personal injury or property damage from fire, electric shock, falling parts, cuts/abrasions, and other hazards read all warnings and instructions included with and on the fixture box and all fixture labels.
- Before installing, servicing, or performing routine maintenance upon this equipment, follow these general precautions.
- Commercial installation, service and maintenance of luminaires should be performed by a qualified licensed electrician.
- For the installation: If you are unsure about the installation or maintenance of the luminaires, consult a qualified licensed electrician and check your local electrical code.
- To prevent wiring damage or abrasion, do not expose wiring to edges of sheet metal or other sharp objects.
- Do not make or alter any open holes in an enclosure of wiring or electrical components during kit installation.

WARNING

- Turn off electrical power at fuse or circuit breaker box before wiring fixture to the power supply.
- Turn off the power when you perform any maintenance.
- Verify that supply voltage is correct by comparing it with the luminaire label information.
- All wiring connections should be capped with UL approved wire connectors.

CAUTION

- Avoid direct eye exposure to the light source while it is on.
- Account for small parts and destroy packing material, as these may be hazardous to children.
- Risk of burn. Disconnect power and allow fixture to cool before changing bulb or handling fixture.

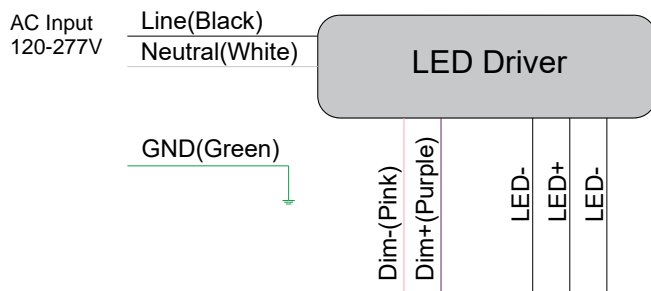
NOTICE: Green ground screw provided in proper location. Do not relocate.

NOTICE: Minimum 90°C supply conductors.

NOTICE: Specifications and dimensions subject to change without notice.

NOTICE: Suitable for Dry or Damp location, Type IC.

General Wiring Diagram



Installation Instruction

INSTRUCTIONS:

Always turn off the power supply from main circuit breaker first!

• Recessed Mounting

1. Carefully unpack fixture and properly inspect for defects before installation. Wear work gloves to prevent dirt and oil from being transferred to the fixture. If cleaning is needed, use gloves and a dry cottoncloth. It is not recommended to use hazardous chemicals.
2. Lift up 4 T-grid clips on the sides of the fixture. You can do it by hand or use pliers. (Fig. 1)
3. Remove electrical enclosure cover. Carefully remove knockout for wiring. Install listed electrical fittings in the knockout holes for wire protection if needed. (Fig. 2)
4. Make wiring refer to the wire connection instructions. When connecting dimming controller, 0-10V dimming wires must run through a separate knockout hole equipped with appropriate electrical fittings. Reattach the electrical enclosure cover and tighten the screw. (Fig. 3)
5. Insert fixture into T-bar grid system. Secure safety cable(provided by others) to clip hole as needed to meet local seismic requirements. (Fig. 4)

Figure 1

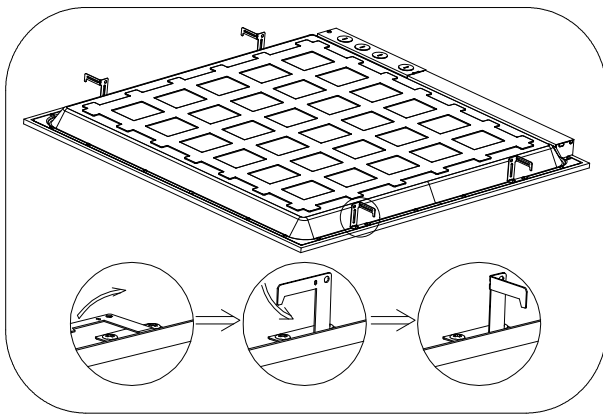


Figure 2

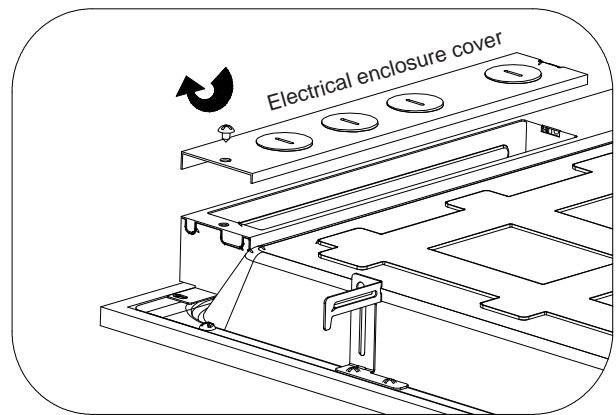


Figure 3

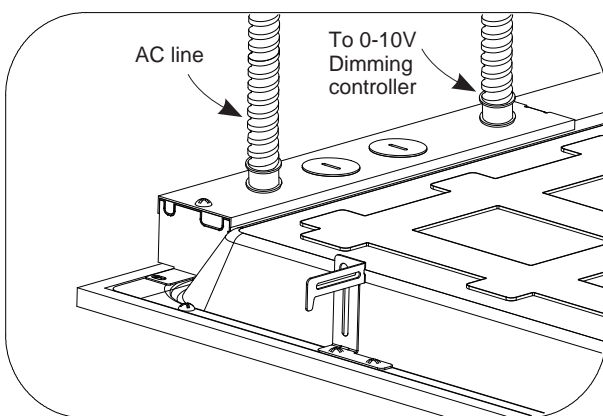
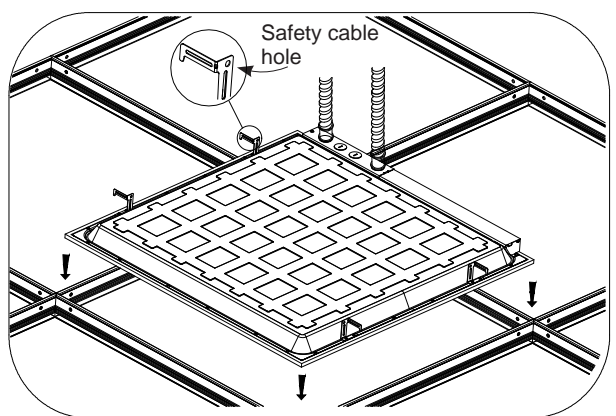
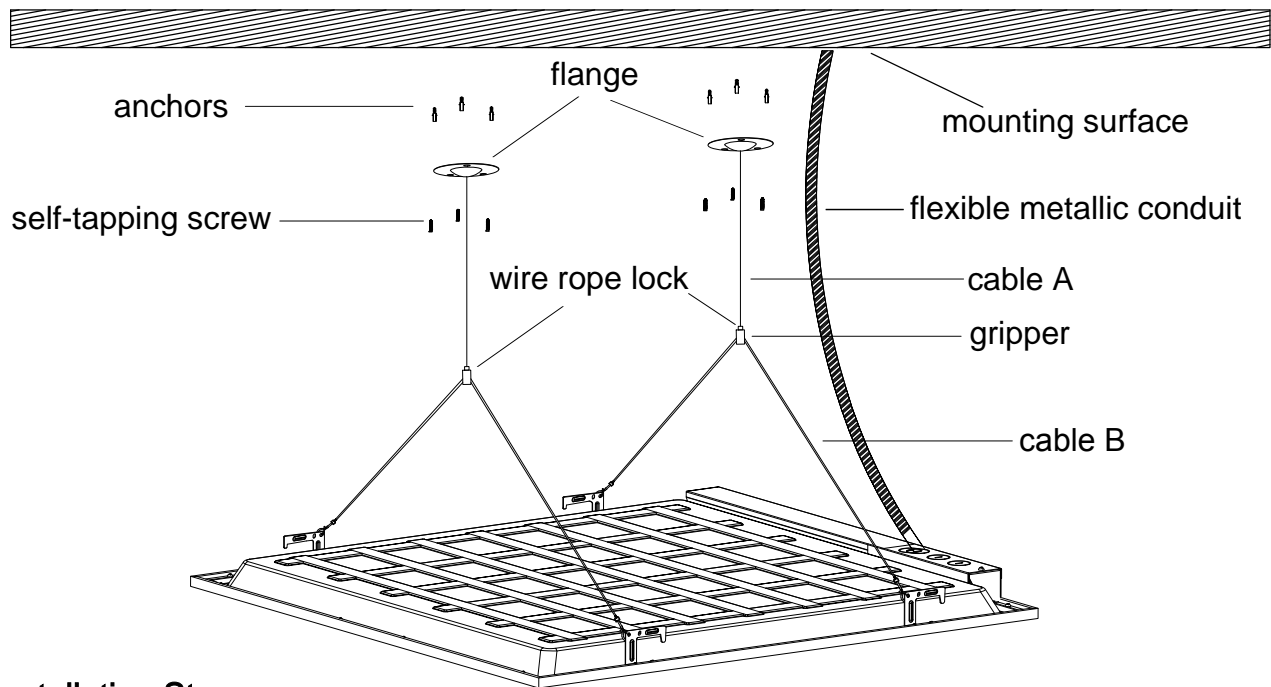


Figure4



Installation Instruction

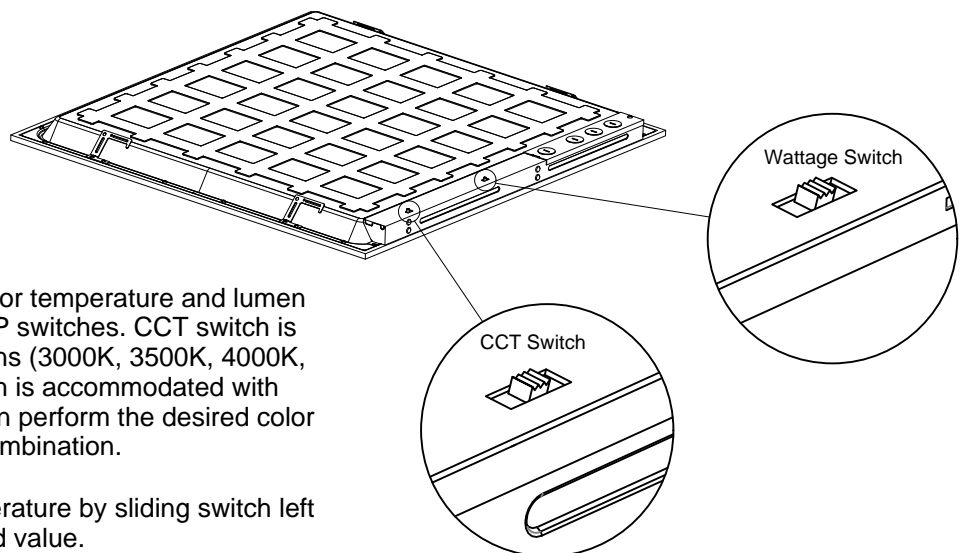
• Cable Suspended Mounting



Installation Steps:

- Step 1: Remove the A-rope from the Gripper and pass the A-rope through the flange. Secure the flange to the ceiling with the 3 anchors and 3 self-tapping screws. Repeat above steps to secure the other gripper wire.
- Step 2: Insert the end of cable A into the Gripper. Adjust to desired height by pressing the gripper .
- Step 3: Use the spring hooks on the ends of B-cable to hook the fixture clips and make final adjustments.
- Step 4: Connect LED driver to AC mains power.

Field-Adjustable Wattage & CCT



The end users may adjust the color temperature and lumen output respectively by the two DIP switches. CCT switch is accommodated with 5 CCT options (3000K, 3500K, 4000K, 5000K, 6500K), and Power switch is accommodated with 4 Power options. The switches can perform the desired color temperature and lumen output combination.

Select a wattage and color temperature by sliding switch left or right respectively to the desired value.