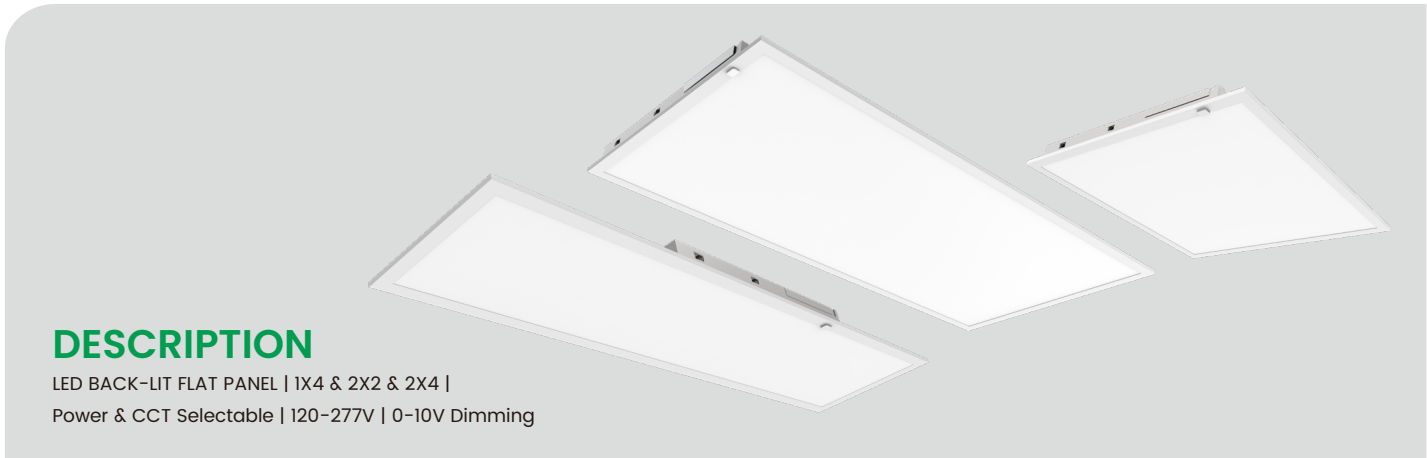


DUO FLAT PANEL HO



DESCRIPTION

LED BACK-LIT FLAT PANEL | 1X4 & 2X2 & 2X4 |
Power & CCT Selectable | 120-277V | 0-10V Dimming



PRODUCT FEATURES

- Low profile, low glare, low flicker, classic design
- PMMA lens, PS diffuser
- Ambient operating temperature: -20°C (-4°F) to 40°C (104°F)
- THD < 14%, Power Factor > 0.97
- UL 1598 suitable for damp locations, Type IC
- Emergency backup options available
- Stand Alone Fixture Control (SAFC) options available
- BLE Mesh Control (LLLC) and Circuit Level control (LALC) options available
- Surface mount kit and flange kit available
- Calculated L70 > 100,000 hours

* Control and EM options are sold separately, lead time and extra cost may apply
* Surface mount kit and drywall are sold separately

PRODUCT SPECIFICATIONS

	Nominal Wattage (w)	3000K			3500K			4000K			5000K			6500K		
		Wattage (w)	Efficacy (LM/W)	Lumens (LM)	Wattage (w)	Efficacy (LM/W)	Lumens (LM)	Wattage (w)	Efficacy (LM/W)	Lumens (LM)	Wattage (w)	Efficacy (LM/W)	Lumens (LM)	Wattage (w)	Efficacy (LM/W)	Lumens (LM)
2 x 2	30	31	144.8	4,488	31	150.5	4,632	30	157.0	4,758	31	156.7	4,814	31	152.9	4,781
	25	25	148.8	3,675	25	155.0	3,875	25	161.7	4,043	25	161.4	4,035	25	157.5	3,938
	18	19	154.8	2,899	18	162.5	2,925	18	169.5	3,051	18	169.2	3,046	18	165.1	2,972
	15	15	157.9	2,348	15	164.0	2,460	15	171.1	2,567	15	170.8	2,562	15	166.7	2,501
1 x 2	30	31	144.8	4,488	31	150.5	4,632	30	157.0	4,758	31	156.7	4,814	31	152.9	4,781
	25	25	148.8	3,675	25	155.0	3,875	25	161.7	4,043	25	161.4	4,035	25	157.5	3,938
	18	19	154.8	2,899	18	162.5	2,925	18	169.5	3,051	18	169.2	3,046	18	165.1	2,972
	15	15	157.9	2,348	15	164.0	2,460	15	171.1	2,567	15	170.8	2,562	15	166.7	2,501
2 x 4	41	41	144.06	5846.3	40	150.3	6,027	40	154.13	6,164	40	155.66	6,247	41	152.17	6,198
	34	34	147.72	5024.7	34	154.8	5,263	34	158.8	5,399	34	160.3	5,450	34	156.7	5,328
	28	28	151.32	4300	28	157.8	4,418	28	161.8	4,530	28	163.4	4,575	28	159.8	4,474
	20	20	155.38	3117.5	20	162.3	3,246	20	166.5	3,330	20	168.1	3,362	20	164.3	3,286

*All 3000K data based on LM79 test results. All 30W data based on LM79 test results. Other data extrapolated with reasonable multiplier.
*To calculate lumen output in EM mode, multiply the battery wattage by the efficacy

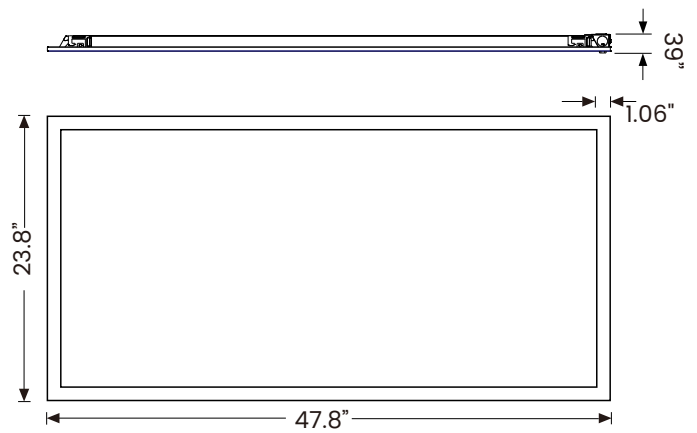
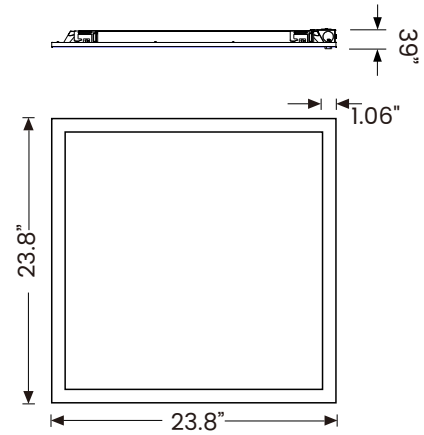
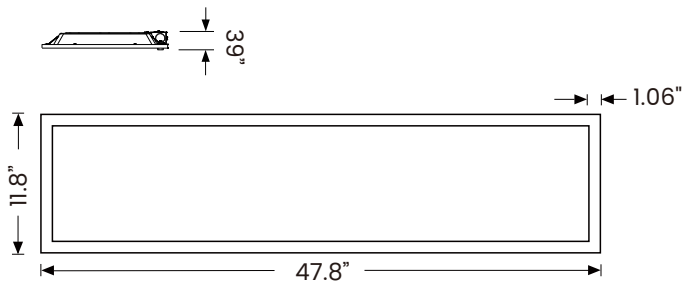
DUO FLAT PANEL HO

PHYSICAL SPECIFICATIONS

PACKAGING

SIZE	PART NO.	LENGTH (L)	WIDTH (W)	DEPTH (D)
1X4	FPBL14-30W-T2-HO	47.8"	11.8"	1.4"
2x2	FPBL22-30W-T2-HO	23.8"	23.8"	1.4"
2x4	FPBL24-41W-T2-HO	47.8"	23.8"	1.4"

Recorded in inches



DUO FLAT PANEL HO

DUO SELECTABLE TECHNOLOGY AND PLUG-AND-PLAY SENSOR

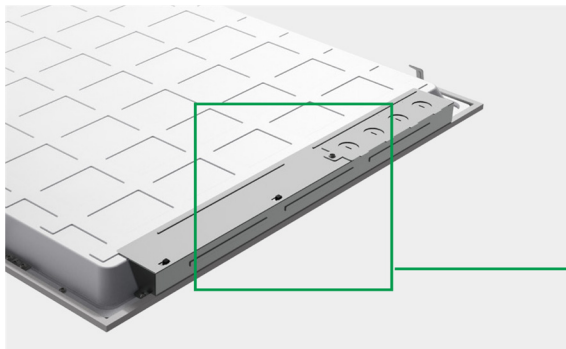
This fixture is equipped with field-adjustable Power Select technology.

1. Ensure power is off to the fixture.
2. Open the driver compartment located on the underside of the fixture.
3. Adjust switches to desired settings.



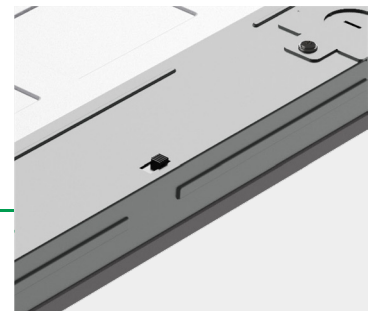
PLUG AND PLAY SENSOR

With pre-installed receptacle, sensor can be added on site to save labor cost.

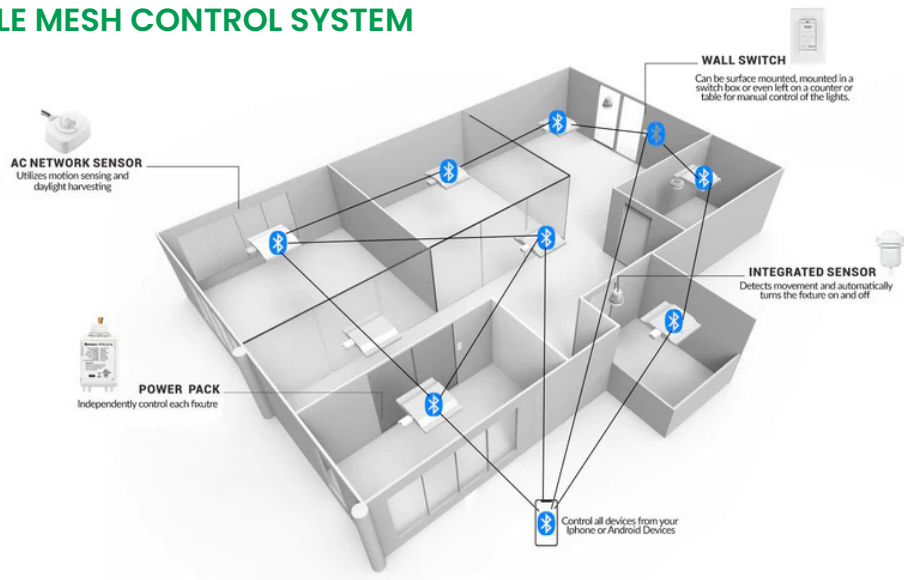


POWER & CCT SELECTABLE

Wattage and CCT can be easily adjusted via the DIP switch on the driver box.



COMPATIBLE WITH BLE MESH CONTROL SYSTEM



DUO FLAT PANEL HO

ADDITIONAL ACCESSORIES (SOLD SEPARATELY)

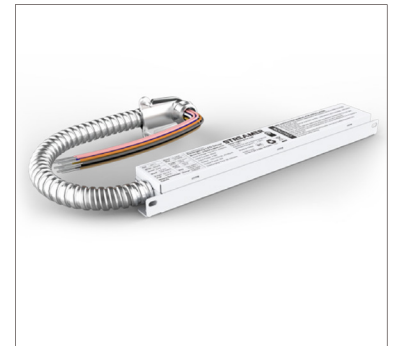
MODEL NUMBER	DESCRIPTION
AANT-IP-4T	PIR Occupancy Sensor, 2.5mm Phono Jack, 12ft Mounting Height
RC-100	Remote for ANT-IP-4T
ANT-IP-4T-BLE-SR	Bluetooth Sensor, PIR & Daylight Harvesting, 12ft Mounting Height, Silvoir System
ANT-IP-4T-BLE-GE	Bluetooth Sensor, PIR & Daylight Harvesting, 12ft Mounting Height, GEBC System
STB45FA-08WLi-170	Emergency Backup Unit, 120-277V input, EM Output: 8W, with Li-ion Battery
HAC-CLMB0-0312A0-G2	Surface Mount Kit for 1x4 Panel & Troffer
HAC-CLMB0-0600A0-G2	Surface Mount Kit for 2x2 Panel & Troffer
HAC-CLMB0-0612A0-G2	Surface Mount Kit for 2x2 Panel & Troffer
DRK-14-HO	Drywall Flange Kit for 1x4 Panel & Troffer
DRK-22-HO	Drywall Flange Kit for 2x2 Panel & Troffer
DRK-24-HO	Drywall Flange Kit for 2x2 Panel & Troffer
SPK-FPBL-HO	Suspension Kit for HO Panel



ANT-IP-4T



RC-100



STB45FA-08WLi-170



ANT-IP-4T-BLE-SR



IFS108-AUX

DUO FLAT PANEL HO

ORDER FORMAT

Series	Wattage	Function	Control&EM	Gen
				HO
FPBL14=1x4	30W=15/18/25/30W Selectable	T2=DUO Selectable*	Blank=Sensor ready** EM=EM installed	
FPBL22=2x2	30W=15/18/25/30W Selectable			
FPBL24=2x4	41W=22/30/35/41W Selectable			

*CCT Range: 3500K/4000K/4500K/5000K/6500K
**See accessory part for more information