

■ ANT-1P-4T-BLE-GE
 ■ ANT-1P-4B



FCC ID: 2AVMOGE01
 ETL
 cUL
 DLC
 Bluetooth®
 Declaration ID: D062134

DC 2.5 PIN Plug and Play Bluetooth PIR Sensor

GEBC
 Bluetooth®

ANT1 P-4T-BLE-GE uses PIR motion detector architecture and passive infrared (PIR) technology for improved detection coverage for low bay applications.

It utilizes a Bluetooth® Low Energy (BLE) mesh network. Dimming levels and schedules can be set through GEBC app.

Plug & play design, low voltage connector, match with 2.5mm audiojack base ANT-1P-4B.

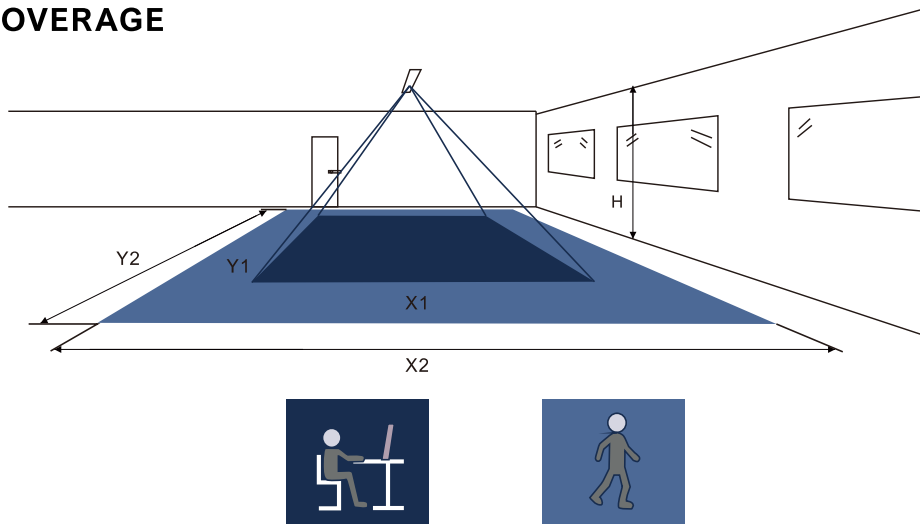


TECHNICAL DATA

Motion Sensor	Passive infrared sensor
Input Power	10-14VDC, >50mA
Control Output	0-10V, max 25mA sinking current
Mounting height	12ft Max.
Detection angle	360°
Operating temperature	-20°C~60°C
IP rating	20
Max Bluetooth Range	100ft(30m)
Warranty	5years



SENSOR COVERAGE

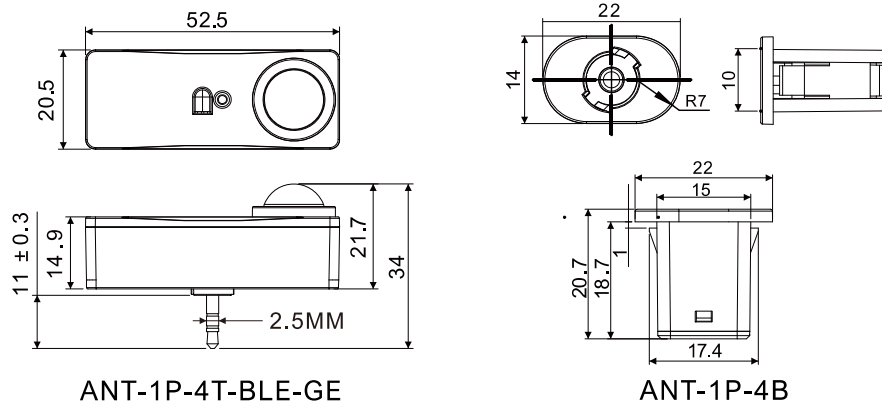


Height H	Minor Movement		Major Movement	
	Y1	X1	Y2	X2
8'/2.4m	10'/2.9m	9'/2.7m	15'/4.5m	10'/2.9m
10'/3m	12'/3.6m	11'/3.4m	18'/5.4m	12'/3.6m

Note: Longer dimension of detection area (Y1, Y2) is parallel to longer dimension.

DIMENSIONS AND APPEARANCE

Unit:mm



ANT-1P-4T-BLE-GE

ANT-1P-4B

WIRING DIAGRAM

