

HELIX G3

HIGH BAY



ATG's Helix High Bay is ideally deployed for use in distribution centers, manufacturing facilities, and large retail facilities with ceilings of 20 to 40 feet. Pairing high efficacy LED performance with a range of shroud and lens options, Helix High Bay will deliver top quality illumination and aesthetics to modern interior applications.

Product Specs	
Input Voltage (VAC)	100-277 / 347-480
CCT (K)	3500, 4000, 5000
PF	.9
Limited Warranty	10 Years
CRI	80+
Color	Black, Custom
Housing	Aluminum Alloy, Tempered Glass Cover
Dimming	0-10V Dimming (0% to 100%)
THD	<20%
Temperature Range	-40°C to 55°C

Project Details		Type
Project:		
Product:		
Prepared by:		
Notes:		

APPLICATIONS	
Application	Warehouse Lighting
Fixture Type	Round highbay
Gymnasiums	X
Manufacturing Facilities	X
Industrial and Distribution	X
Retail Aisles	X
Garage and Parking Lot	X
Big Box Stores	X

ENABLED: Bluetooth DLC Tru Blu SILVAIR

CERTIFICATIONS AND COMPATIBILITIES

Order Format Example: HBUF-150W-50-SE-G3B

Series	Wattage	CCT	Voltage	Dimming	Generation	Finish Color
HBUF	100W=100W 150W=150W 200W=200W 240W=240W	35=3500K 40=4000K 50=5000K	Blank=100-277V V=347-480V	Blank=0-10V Dimming ND=Non-Dimming	G3=Gen 3	B=Black Custom colors are available. Consult factory.**

INFORMATION FOR LIGHTING CONTROLS APPLICATIONS

LLLC - Luminaire Level Lighting Control (Mesh Network)	LALC - Local Area Lighting Control (Circuit Level)	SAFC - Stand Alone Fixture Control
<p>LLLC</p>	<p>LALC</p>	<p>SAFC</p>
		<p>*possibly rebated on fixture only</p>
<p>Control-luminaire groupings typified by needs to a space or user, coordinated via wireless signals, executed at each luminaire. LLLC and networked solutions are highlighted by ability to operate independently or in mesh coordination. Note: they are not related by a power circuit.</p>	<p>LALC solutions are highlighted by their "many to one" arrangements. This can save on hardware costs with minimal labor increases. Characteristically they are linked (related) by power or control wires.</p>	<p>SALC solutions have sensors that typically only detect and individually control a single fixture. Characteristically they have A) 1:1 sensor to fixture relationship; B) sensor integrally wired and/or affixed to fixture; C) Likely to have physical settings on the sensor, but may have hand held program tool.</p>

CONTROLS, OPTIONS, AND ACCESSORIES ↓ CLICKABLE LINKS ↓

LLLC - LUMINAIRE LEVEL LIGHTING CONTROL (MESH NETWORK)

Contact ATG Sales

LALC - LOCAL AREA LIGHTING CONTROL (CIRCUIT LEVEL)

Contact ATG Sales

SAFC - STAND ALONE FIXTURE CONTROL

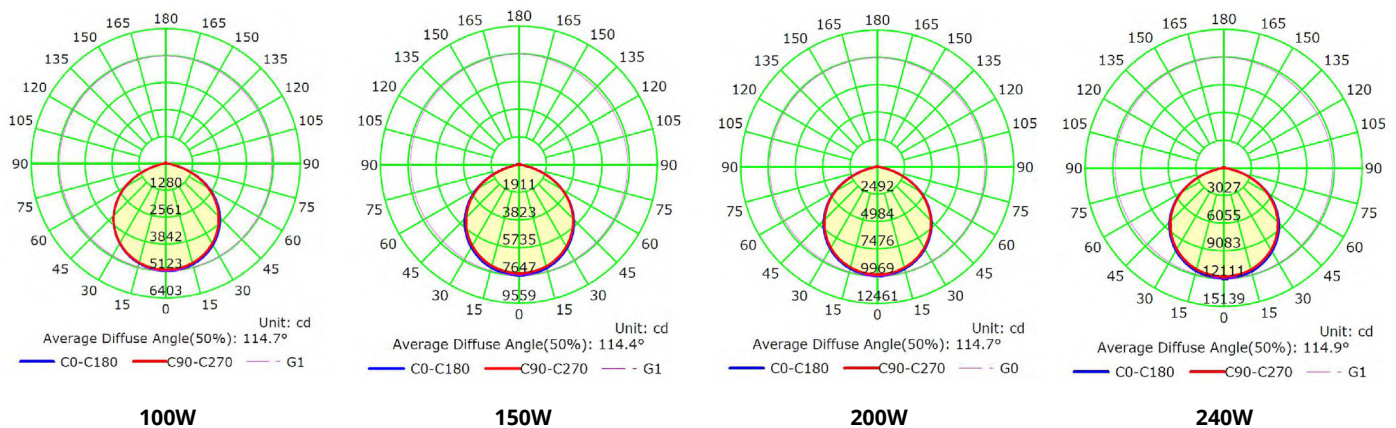
ATG Code	Description	Model Number
S4	Sensor, Microwave, 10-15Vdc Input, 49ft Mounting, DLH and Occupancy	HD06VCRH3*
R4	Remote, Hand Held Programmer for HD06VCRH3	RC-HD06VCRH3
S1	Sensor, PIR, On/Off, 120-277v, KO Mounted	BRI819-P-B-0

ACCESSORIES

ATG Code	Description	Model Number
PMK1	Pendant Mount	PMK-HBUF-G3-01
PMK2	Pendant Mount	PMK-HBUF-G3-02
AS60A & AS90A	60° or 90° Aluminum Shroud (100W and 150W)	SRD-HBUF-G3-D60/D90-A1
AS60B & AS90B	60° or 90° Aluminum Shroud (200W and 240W)	SRD-HBUF-G3-D60/D90-A2
PS60A & PS90A	60° or 90° PC Shroud (100W and 150W)	SRD-HBUF-G3-D60/D90-O1
PS60B & PS90B	60° or 90° PC Shroud (200W and 240W)	SRD-HBUF-G3-D60/D90-O2
E13	Emergency Battery Backup, 25W Output, 100/347Vac for 100W and 150W HB	EMUFO-25170-YY*
E14	Emergency Battery Backup, 40W Output, 100/347Vac for 200W and 240W HB	EMUFO-40170-YY*

*default sensor & EM unit, EMUFO-25170-YY is for 100W & 150W, EMUFO-40170-YY is for 200W & 240W

COVERAGE



APPLICATION

The luminaire can be mounted by cable, bracket, or pendant*. Maximum recommended installation height for the Helix High Bay is 40 ft. The slim profile allows for exceptionally versatile placement compared to traditional high bays.

*pendant kit available, pole not included



CONSTRUCTION

The Helix High Bay G3's housing is formed from cast and extruded aluminum. Our streamlined manufacturing process delivers a more versatile product with a superior value proposition. The fixture is manufactured with heavy gauge aluminum enclosure to provide efficient heat dissipation.



LUMENS

Catalog Number	Default Wattage (W)	35K		4K		5K	
		Efficacy (Lm/W)	Lumens (Lm)	Efficacy (Lm/W)	Lumens (Lm)	Efficacy (Lm/W)	Lumens (Lm)
HBUF-100W	100W	142	14,200	145	14,495	147	14,690
HBUF-150W	150W	145	21,750	145	21,683	146	21,957
HBUF-200W	200W	142	28,400	146	29,110	147	29,498
HBUF-240W	240W	142	34,080	145	34,080	147	35,232

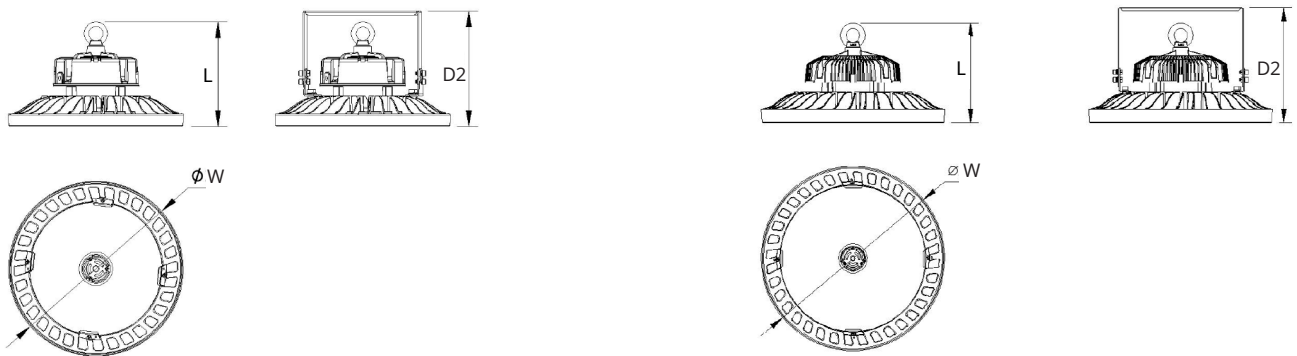
*Based on DLC reported data. Please contact sales or rep for more info.

PROJECTED LUMEN MAINTENANCE

Ambient Test Temp	Reported Hours	0 Hrs	25,000 Hrs	TMI21-11 [†] L94 54,000	50,000 Hrs	100,000 Hrs	L70 Hrs
25°C / 77°F	>54,000	1	0.95	0.89	0.9	0.81	174,000

DLC Reported Hours = Max 6X LM-80 tested duration (Lumileds L128-xx80RA3500xxx @ 9,000 Hrs)

DIMENSIONS

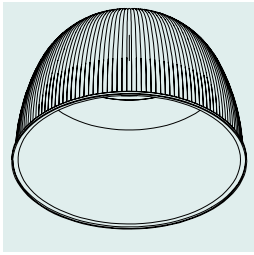


PART NO.	WATTAGE	LENGTH (L)	WIDTH (W)	DEPTH (D)
HBUF-100W	100W	7.28"	8.07"	12.20"
HBUF-150W	150W	7.28"	8.07"	12.20"

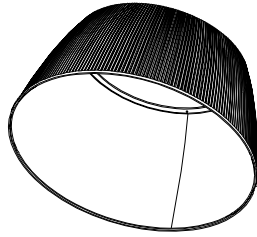
PART NO.	WATTAGE	LENGTH (L)	WIDTH (W)	DEPTH (D)
HBUF-200W	200W	8.26"	9.13"	14.65"
HBUF-240W	240W	8.26"	9.13"	14.65"

ACCESSORIES

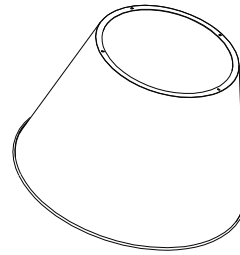
BELL REFRACTORS



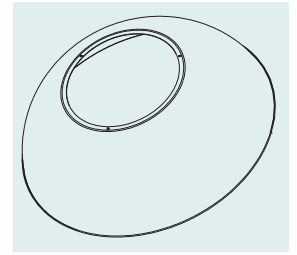
A



B



C

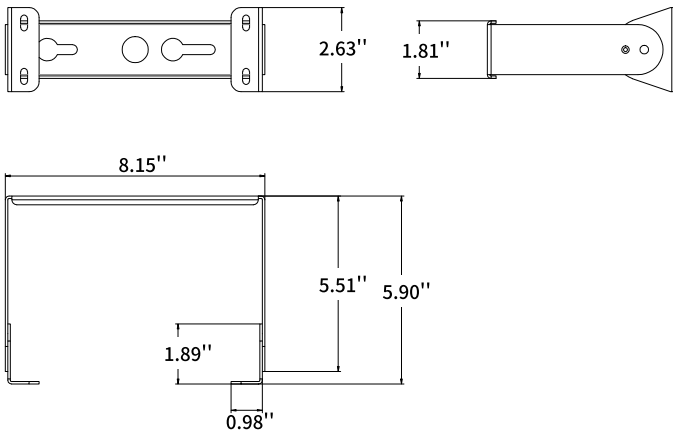


D

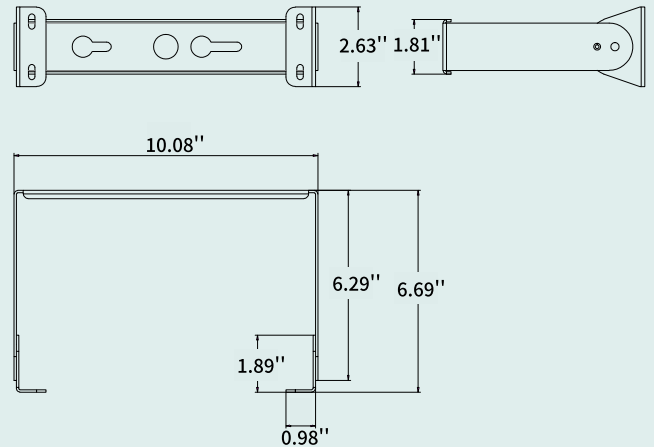
Image	Model #	Description	Fixture	Material	Angle	Dimensions
A	SRD-HBUF-G3-D60-01	Diffuser, Ribbed, Clear	100 & 150W	Clear Polycarbonate	60° Deg	16.26" Ø x 9.05" H x 10.47" Ø
A	SRD-HBUF-G3-D90-01	Diffuser, Ribbed, Clear	100 & 150W	Clear Polycarbonate	90° Deg	16.26" Ø x 6.29" H x 10.55" Ø
B	SRD-HBUF-G3-D60-02	Diffuser, Ribbed, Clear	200W & 240W	Clear Polycarbonate	60° Deg	18.90" Ø x 8.85" H x 12.48" Ø
B	SRD-HBUF-G3-D90-02	Diffuser, Ribbed, Clear	200W & 240W	Clear Polycarbonate	90° Deg	18.90" Ø x 6.85" H x 13.58" Ø
C	SRD-HBUF-G3-D60-A1	Diffuser, Smooth, Opaque	100W & 150W	Aluminum	60° Deg	16.14" Ø x 10.63" H x 9.58" Ø
D	SRD-HBUF-G3-D90-A1	Diffuser, Smooth, Opaque	100W & 150W	Aluminum	90° Deg	20.55" Ø x 6.85" H x 9.58" Ø
C	SRD-HBUF-G3-D60-A2	Diffuser, Smooth, Opaque	200W & 240W	Aluminum	60° Deg	21.32" Ø x 13.07" H x 12.56" Ø
D	SRD-HBUF-G3-D90-A2	Diffuser, Smooth, Opaque	200W & 240W	Aluminum	90° Deg	18.90" Ø x 6.85" H x 12.56" Ø

MOUNTING BRACKETS*

PMK-HBUF-G3-01 Pendant Mount Kit For 100W&150W



PMK-HBUF-G3-02 Pendant Mount Kit For 200W&240W



*Down rod, Ai-thread, or conduit not included

EMERGENCY BATTERY BACKUP ACCESSORIES

- cULus Listed
- 5yr Warranty
- CEC BC Compliant
- See spec sheet for details

Description	Model #	Input Voltage	Output Ranges (LM)			
			100W	150W	200W	240W
15W EM Kit	EMUFO-15170-YY	100-347VAC @ 200Ma MAX	2,130-2,205	2,175-2,190	N/A	N/A
25W EM Kit	EMUFO-25170-YY		3,550-3,675	3,625-3,650	N/A	N/A
40W EM Kit	EMUFO-40170-YY		5,680-5,880	5,800-5,840	5,680-5,880	5,680-5,880

10 YEAR WARRANTY

ATG Electronics®

Industry Leading 10 Year Limited Warranty For North American LED Lighting Fixtures

ATG Electronics warrants to the original purchaser of ATG Electronics Domestic LED products listed above that were manufactured for which the ATG Electronics Spec Sheet located on our website contains the words "10 year limited warranty" that, subject to the below terms and conditions of this warranty, when such LED products are properly installed they will comply with ATG Electronics published product specifications for such products and will be free from material defects in material and workmanship for a period of ten (10) years from the date of sale by ATG Electronics, or, if lesser, 50,000 hours of operation (at an average of 13.6 hours per day operation). The LED arrays in the Product(s) will be considered defective in material or workmanship only if a total of 15% or more of the individual light emitting diodes in the Product(s) fail to illuminate.

The above express limited warranty is extended by ATG Electronics® only to the original or first end-user purchaser and only for the original installed location. This warranty only applies to products purchased after June 1, 2017. This warranty is non-transferrable, whether by assignment or operation of law. The original purchaser must provide warranty claims to ATG Electronics within the warranty period promptly upon discovery and in accordance with ATG Electronics Return and Repair Procedures as outlined within this document.

Should any defects be found by ATG Electronics upon its inspection of the properly returned product, ATG Electronics sole responsibility and liability under this warranty will be, at its option, to either repair or replace the defective part or parts or else make available a new replacement unit that will provide equal or better performance. All decisions regarding the existence or non-existence of defects or otherwise affecting the warranty shall be made by ATG ELECTRONICS and shall be final and binding on all parties. Where a defective LED product is replaced under this warranty, the balance of the original warranty period shall remain effective.

Conditions and Exclusions

This warranty is conditioned upon proper installation, use and maintenance. This warranty will automatically become null and void and shall not be applicable to any LED fixture which (i) has not been timely paid for, (ii) is not installed and operated in accordance with the current edition of The National Electric Code (NEC), the Standards for Safety of Underwriters' Laboratory, Inc. (UL) or with ATG Electronics instructions and guidelines, (iii) has been moved from its original installation, (iv) has been installed within an area that has exposure to sulfur or any area with high acidic compounds in use, (v) has been operated in an ambient temperature or humidity that is higher than 35 degrees Celsius, (vi) has been subjected to a lightning strike, power surge or over voltage condition, (vii) has its LED Board subjected to static electricity due to failure to discharge same prior to connecting or disconnecting the lead from the LED board, (viii) was not installed and/or operated in accordance with ATG Electronics instructions and guidelines, (ix) has been mishandled, misused, abused, tampered with, modified or altered by anyone other than ATG ELECTRONICS, (x) has been subjected to abnormal stresses and operating conditions, or (xi) has been operated without over voltage and lightning protection devices in place.

Limitations

Disclaimers & Limitations of Liability

The foregoing warranty is exclusive of all other statutory, written or oral warranties and no other warranties of any kind, statutory, by operation of law or course of performance, or otherwise, are given, herein expressed or otherwise received. EXCEPT AS EXPRESSLY PROVIDED ABOVE, ATG ELECTRONICS DISCLAIMS ALL REPRESENTATIONS, WARRANTIES AND CONDITIONS OF ANY KIND, EXPRESS OR IMPLIED, REGARDING THE LED PRODUCTS AND ITS SERVICES, INCLUDING, WITHOUT LIMITATION, THE IMPLIED WARRANTIES OF MERCHANTABILITY AND FITNESS FOR A PARTICULAR USE OR PURPOSE.

LIMITATION OF LIABILITY. Other than the obligation to repair or replace as provided above, ATG Electronics shall have no liability for any losses, expenses or damages as a result of the installation, use, inability to use, removal or replacement of any LED product. ATG Electronics will not under any circumstances whether as a result of breach of contract, breach of warranty, tort, strict liability or otherwise be liable for consequential, incidental, special or exemplary damages including but not limited to, loss of profits or revenues, loss of any other goods or associated equipment or

damage to any associated equipment, cost of capital, cost of substitute products, facilities or services, down time cost or claims of claimant's customers. ATG Electronics liability on any claim of any kind for any loss or damages arising out of, resulting from or concerning any LED product, any aspect of this warranty or for any products or services furnished hereunder shall not exceed the price of the fixture which gives rise to the claim.

Return and Repair Procedures

All warranty requests and or questions are to be directed to ATG Electronics Customer Service Department (CSD) at 888-618-7298. If deemed necessary, the CSD will issue a Returned Merchandise Authorization (RMA) number which must be included on both the packing slip of the component or fixture being returned and on the outside of the box. You must include your name and contact information, including your email address, on the packing slip so that we can contact you easily. Each component or fixture must be packaged very carefully and properly so as to prevent damages in shipment and must be shipped freight prepaid. Please obtain a proof of delivery to ensure that the material is received.

Once the component or fixture has been received and tested, an evaluation report will be provided to the end user via email. This report will clarify the following:

- I) The component / fixture is covered under the warranty policy and will either be repaired or replaced.
- II) The component / fixture is not covered under the warranty policy and the reason for this determination.

If ATG ELECTRONICS determines that the component or fixture is covered under the warranty, then the appropriate repairs will be started or a replacement fixture will be manufactured and shipped. Please note that in the event the returned component or fixture is found not to be covered under this warranty, you may be subject to a labor charge for the evaluation process and will be responsible for all return shipping charges and fees. For components and fixtures determined to be covered under this warranty prior to the first anniversary of the Sale Date, the repaired or replacement component or fixture will be returned to you at no charge. You will be responsible for all other shipping charges.

No Labor Reimbursement

All components and fixtures determined to be covered by this warranty as provided above, will be repaired or replaced at no charge to the customer, however, except as expressly provided above with respect to recessed and linear fixtures during the first year, the customer must hire and pay for an electrician to remove and reinstall such components and fixtures. No labor costs will be covered for the removal or reinstallation of any components or fixtures. The warranty does not cover modifications, repairs or replacements, or the related labor or materials costs, that may be necessary to facilities or third party products in connection with the removal, repair, or replacement of any LED product under this warranty.