

Installation Instruction

⚠ WARNING

- To reduce the risk of death, personal injury or property damage from fire, electric shock, falling parts, cuts/abrasions, and other hazards read all warnings and instructions included with and on the fixture box and all fixture labels.
- Before installing, servicing, or performing routine maintenance upon this equipment, follow these general precautions.
- Commercial installation, service and maintenance of luminaires should be performed by a qualified licensed electrician.
- For the installation: If you are unsure about the installation or maintenance of the luminaires, consult a qualified licensed electrician and check your local electrical code.
- To prevent wiring damage or abrasion, do not expose wiring to edges of sheet metal or other sharp objects.
- Do not make or alter any open holes in an enclosure of wiring or electrical components during kit installation.

⚠ WARNING

- Turn off electrical power at fuse or circuit breaker box before wiring fixture to the power supply.
- Turn off the power when you perform any maintenance.
- Verify that supply voltage is correct by comparing it with the luminaire label information.
- All wiring connections should be capped with UL approved wire connectors.

⚠ CAUTION

- Avoid direct eye exposure to the light source while it is on.
- Account for small parts and destroy packing material, as these may be hazardous to children.
- Risk of burn. Disconnect power and allow fixture to cool before changing bulb or handing fixture.

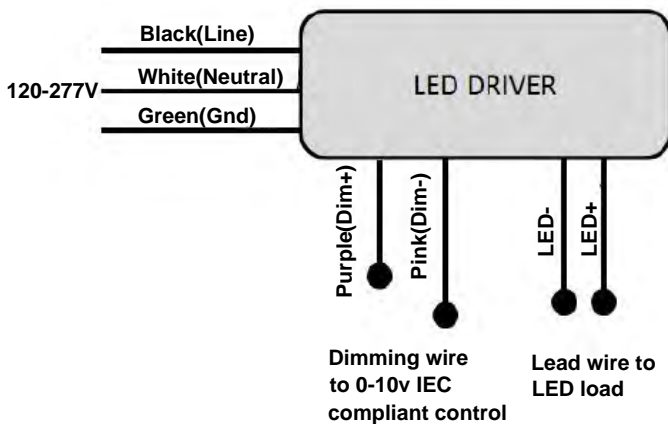
NOTICE: Green ground screw provided in proper location. Do not relocate.

NOTICE: Minimum 90 °supply conductors.

NOTICE: Specifications and dimensions subject to change without notice.

NOTICE: Suitable for Dry or Damp location, Type IC.

General Wiring Diagram



Installation Instruction

INSTRUCTIONS:

Always turn off the power supply from main circuit breaker first!

Figure 1

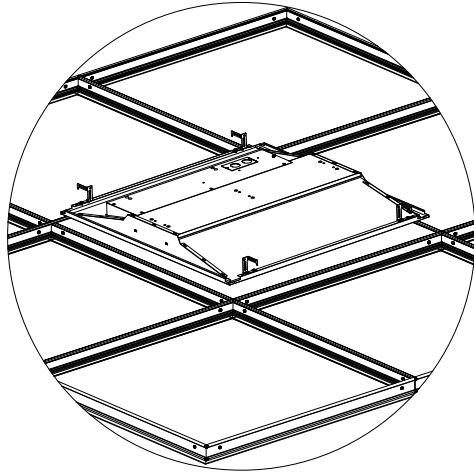


Figure 2

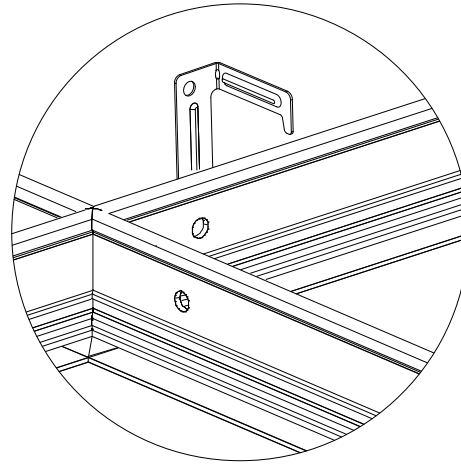


Figure 3

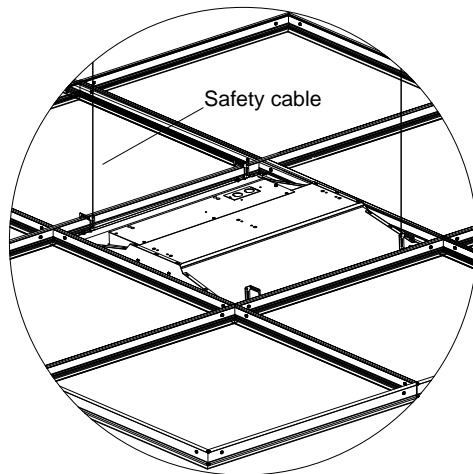
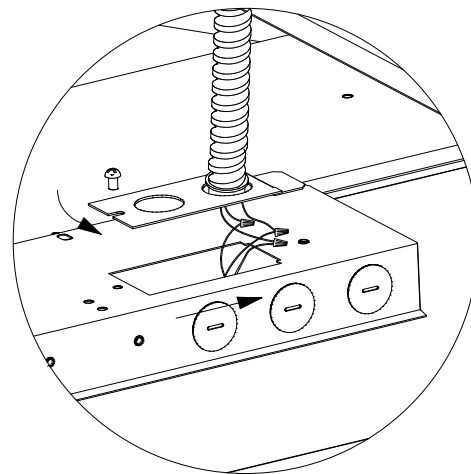


Figure 4



Installation Steps:

- 1 . Bend (4) grid clip 90° degrees on each corner.(Figure 1)
- 2 . Install the luminaire into the ceiling T-grid system. Ensure that luminaire sets snugly in T-grid system. Ensure that all luminaires in an area are oriented in the same direction.(Figure 2)
- 3.Use a hanger wire to tie off appropriately in accordance with local building codes(screws and hanger wires supplied by others).(Figure 3)
- 4 .Remove electrical access plate and remove necessary knockouts from access plate. Use appropriate conduit connectors as required by code to attach electrical supply cable to the access plate.
- 5 .Connect wires as shown in General Wiring Diagram by using appropriate UL-approved wire connectors as required by code. Push all wires back into the splice Box. Attach the wiring access cover plate.(Figure 4)

WARNING: To prevent wiring damage or abrasion, do not expose wiring to edges of sheet metal or other sharp objects.