

ECRT DUO Selectable Low Profile Troffer



DESCRIPTION

LED TROFFER | 1X4 & 2X2 & 2X4 | Power&CCT Selectable
| 120-277V | 0-10V Dimming



PRODUCT FEATURES

- Low profile, low glare, low flicker, classic design
- Ambient operating temperature: -20°C (-4°F) to 50°C (122°F)
- THD < 20%, Power Factor > 0.97
- Emergency backup options available
- UL 1598 suitable for damp locations, Type IC
- CRI > 80
- Stand Alone Fixture Control (SAFC) options available
- BLE Mesh Control (LLC) and Circuit Level control (LALC) options available
- Surface mount kit available
- L70 > 100,000 hrs, 5 year limited warranty

* Control and EM options are sold separately, lead time and extra cost may apply
* Surface mount kit are sold separately

PRODUCT SPECIFICATIONS

	Nominal Wattage (w)	3000K			3500K			4000K			5000K			5600K			Wattage	Multiplier
		Wattage (w)	Efficacy (LM/W)	Lumens (LM)	Wattage (w)	Efficacy (LM/w)	Lumens (LM)	Wattage (w)	Efficacy (LM/w)	Lumens (LM)	Wattage (w)	Efficacy (LM/W)	Lumens (LM)	Wattage (w)	Efficacy (LM/W)	Lumens (LM)		
2 x 2	30	31	144.8	4,488	31	150.5	4,632	30	157.0	4,758	31	156.7	4,814	31	152.9	4,781	30	1
	25	25	148.8	3,675	25	155.0	3,875	25	161.7	4,043	25	161.4	4,035	25	157.5	3,938	25	1.03
	18	19	154.8	2,899	18	162.5	2,925	18	169.5	3,051	18	169.2	3,046	18	165.1	2,972	18	1.08
	15	15	157.9	2,348	15	164.0	2,460	15	171.1	2,567	15	170.8	2,562	15	166.7	2,501	15	1.09
1 x 2	30	31	144.8	4,488	31	150.5	4,632	30	157.0	4,758	31	156.7	4,814	31	152.9	4,781	30	1
	25	25	148.8	3,675	25	155.0	3,875	25	161.7	4,043	25	161.4	4,035	25	157.5	3,938	25	1.03
	18	19	154.8	2,899	18	162.5	2,925	18	169.5	3,051	18	169.2	3,046	18	165.1	2,972	18	1.08
	15	15	157.9	2,348	15	164.0	2,460	15	171.1	2,567	15	170.8	2,562	15	166.7	2,501	15	1.09
2 x 4	41	41	144.06	5846.3	40	150.3	6,027	40	154.13	6,164	40	155.66	6,247	41	152.17	6,198	41	1
	34	34	147.72	5024.7	34	154.8	5,263	34	158.8	5,399	34	160.3	5,450	34	156.7	5,328	34	1.03
	28	28	151.32	4300	28	157.8	4,418	28	161.8	4,530	28	163.4	4,575	28	159.8	4,474	28	1.05
	20	20	155.38	3117.5	20	162.3	3,246	20	166.5	3,330	20	168.1	3,362	20	164.3	3,286	20	1.08

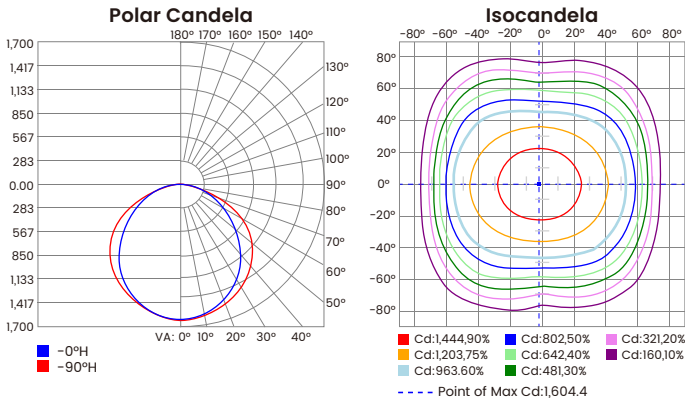
*All 3000K data based on LM79 test results. All 30W data based on LM79 test results. Other data extrapolated with reasonable multiplier.
*To calculate lumen output in EM mode, multiply the battery wattage by the efficacy

ECRT

DUO Selectable Low Profile Troffer

PHOTOMETRIC SPECIFICATIONS

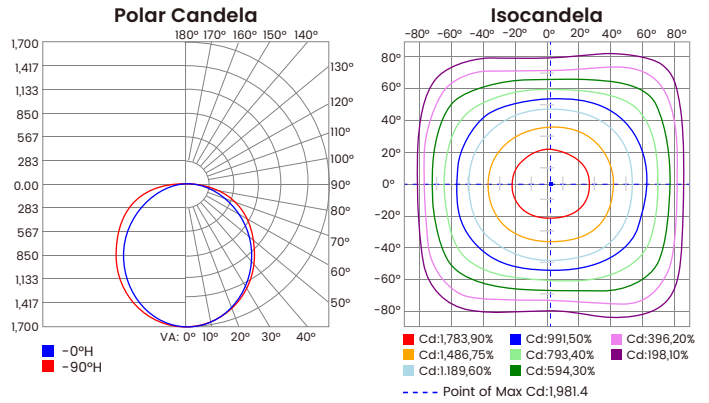
ECRT22-30W-T2-G3 set at 30W,3000K



Zonal Lumen Summary

Zone	Lumens	% Lamp	% Luminaire
0-30	1,242.6	27.7%	27.7%
0-40	2,037.2	45.4%	45.4%
0-60	3,635.6	81%	81%
60-90	852.8	19%	19%
70-100	296.4	6.6%	6.6%
90-120	0.000	0%	0%
0-90	4,488.4	100%	100%
90-180	0.000	0%	0%
0-180	4,488.4	100%	100%

ECRT24-41W-T2-G3 set at 41W,3000K



Zonal Lumen Summary

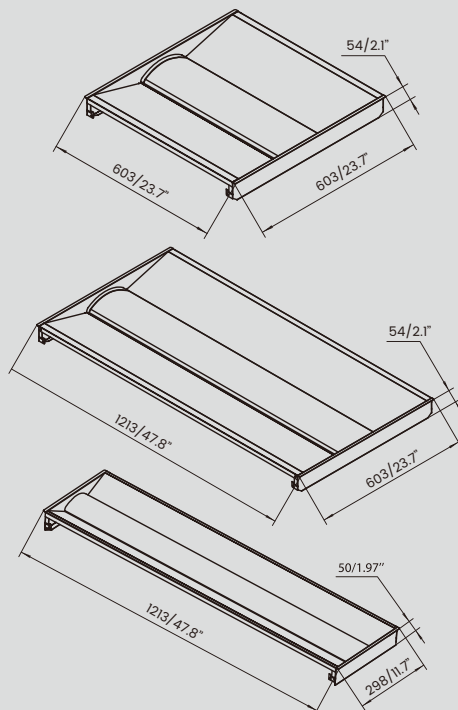
Zone	Lumens	% Lamp	% Luminaire
0-30	1,528.1	26.1%	26.1%
0-40	2,497.6	42.7%	42.7%
0-60	4,434.8	75.8%	75.9%
60-90	1,411.7	24.1%	24.1%
70-100	660.1	11.3%	11.3%
90-120	0.1	0%	0%
0-90	5,846.4	100%	100%
90-180	0.1	0%	0%
0-180	5,846.5	100%	100%

PHYSICAL SPECIFICATIONS

Dimensions				
PART NO.	SCALE	LENGTH	WIDTH	DEPTH
ECRT22	inch	23.7	23.7	2.1
	mm	603	603	54

Dimensions				
PART NO.	SCALE	LENGTH	WIDTH	DEPTH
ECRT24	inch	47.8	23.7	2.1
	mm	1213	603	54

Dimensions				
PART NO.	SCALE	LENGTH	WIDTH	DEPTH
ECRT14	inch	47.8	11.7	1.97
	mm	1213	298	50

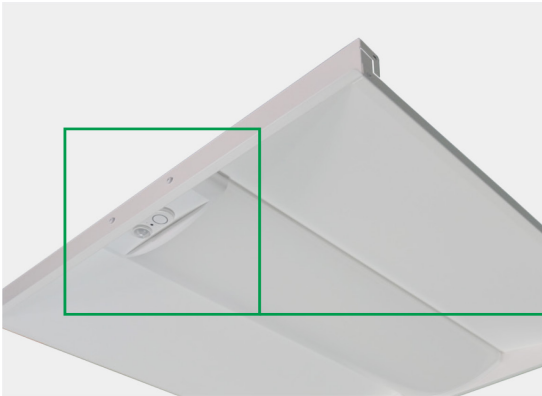


ECRT
DUO Selectable Low Profile Troffer

DUO SELECTABLE TECHNOLOGY AND PLUG-AND-PLAY SENSOR

This fixture is equipped with field-adjustable Power Select technology.

1. Ensure power is off to the fixture.
2. Open the driver compartment located on the underside of the fixture.
3. Adjust switches to desired settings.



PLUG AND PLAY SENSOR

With pre-installed receptacle, sensor can be added on site to save labor cost.

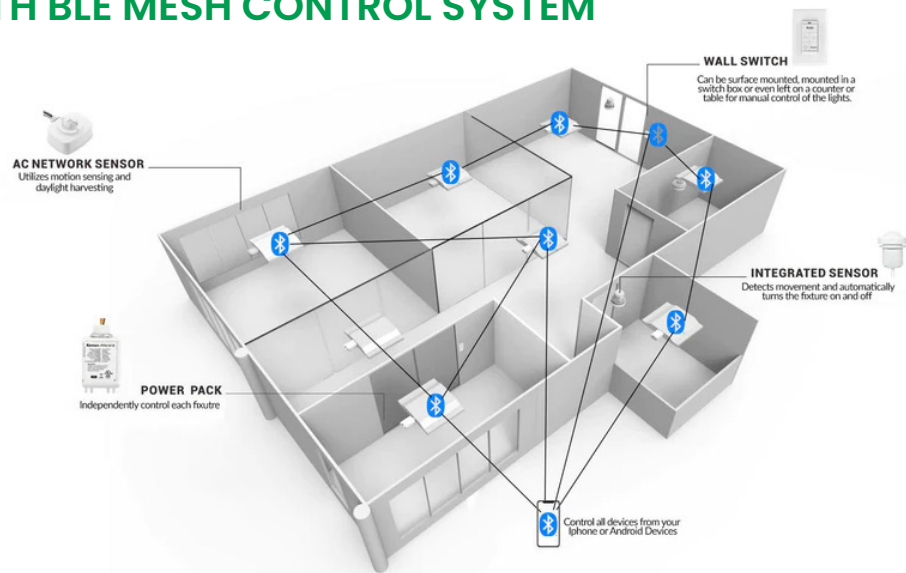


POWER & CCT SELECTABLE

Wattage and CCT can be easily adjusted via the DIP switch on the driver box.



COMPATIBLE WITH BLE MESH CONTROL SYSTEM



ECRT
DUO Selectable Low Profile Troffer

ADDITIONAL ACCESSORIES (SOLD SEPARATELY)

ATG CODE	MODEL NUMBER	DESCRIPTION
ST	ANT-15P	PIR Occupancy Sensor,12VDC,with Daylight Harvesting Function
R1	RC-100	Remote for ANT-15P
B2	ANT-15P-BLE-SR	Bluetooth PIR Motion Sensor, Daylight Harvesting Enabled, 12VDC
EK	STB45FA-08WLi-170	Emergency Backup,120-277VAC input,Emergency Output: 8W,with Li-ion Battery
SMK14	HAC-CLMB0-0312A0-G2	Surface Mount Kit for 1x4 Troffer & Panel
SMK22	HAC-CLMB0-0600A0-G2	Surface Mount Kit for 2x2 Troffer & Panel
SMK24	HAC-CLMB0-0612A0-G2	Surface Mount Kit for 2x4 Troffer & Panel
ZF1	ZF-01	Single Rocker Self-Powered Wall Switch
ZF2	ZF-02	Double Rocker Self-Powered Wall Switch
WS3	BC-USDM101-3-SR	2 Key Dimmer Wall Switch, 120VAC
WS5	BC-USDM101-5-SR	Bluetooth Dimmer Wall Switch, 120-277VAC
WS6	BC-USDM101-6-SR	Bluetooth Dimmer and CCT Wall Switch, 120-277VAC

SENSOR & EMERGENCY DRIVER



ANT-15P



ANT-15P-BLE-SR



RC-100



ZF-01



ZF-02



BC-USDM101-3-SR



BC-USDM101-5-SR



BC-USDM101-6-SR



STB45FA-08WLi-170

ECRT
DUO Selectable Low Profile Troffer

ORDER FORMAT

EXAMPLE: ECRT24-41W-T2-G3

Series	Size	Wattage	CCT	Version	EM	Gen
ECRT			T2			G3
ECRT	22=2'x2'	30W=30W Selectable*	T2=3000K/3500K/4000K/ 5000K/6500K Selectable	blank=with receptacle	Sx Ex	G3
	14=1'x4'	30W=30W Selectable*				
	24=2'x4'	41W=41W Selectable*				

*Check product specifications for more details