

CLIO SOLAR SLEEK



CONSTRUCTION

- All-in-one design with solar panel, light engine and battery
- Modern form design, ideal for architectural outdoor application
- Die cast aluminum housing, clear glass diffuser

PHOTOMETRICAL INFO

- 4000K/5000K
- CRI>80

SOLAR & BATTERY

- 18V/30W mono-crystalline cell solar panel, with MPPT charge controller
- 12.7V/16AH LiFePO4 Battery, with overcharge and over-discharge protection
2000 charge cycles (2000/365 days=5.47 years)
- Battery charge time: 16-20 hrs
- Max operation time: 36 hrs*

*Depend on sunlight quality

OPTICS

- Type V distribution

CONTROL MODE

- With pre-installed motion sensor
- Support dusk-to-dawn lighting, step dimming with motion sensor override, and time control

MOUNTING

- Fit on 3" round pole, extra tenon reducer (sold separately) is available for 2-3/8" tenon mount
- Suggest mounting height: 10 ft to 20 ft

APPLICATIONS

- Parks, city streets, school campuses, pedestrian walkway

OPERATION TEMPERATURE

- -10°C (14°F) to 50°C (122°F)

LIFESPAN & WARRANTY

- 5 year warranty, 100,000+ hrs lifetime based on LM-80 results and TM-21 calculations

LISTINGS

- IP65 rated
- IK08 Impact rated

PRODUCT SPECIFICATIONS

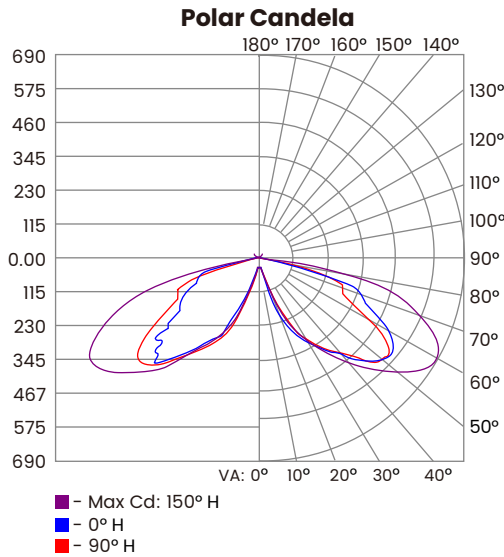
Part Number	Watts (W)	CRI	CCT(K)	Efficacy (LM/W)	Lumens (LM)	Solar Panel Voltage(V)	Solar Panel Power(W)	Battery Voltage(V)	Battery Capacity(AH)	Charge Time(Hrs)	Max Operation Time(Hrs)
PTSL-15-XX-T5-S	15	80	4000	147	2,204	18	30	12.8	16	16-20*	36*
			5000	169	2,535						

*Charge time and operation time is depending on sunlight quality.

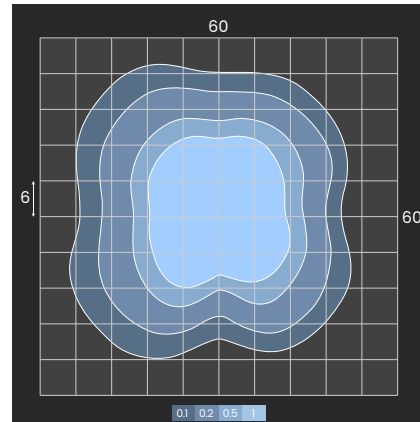
CLIO SOLAR SLEEK

LIGHT DISTRIBUTION PATTERN

PTSL-15-XX-T5-S Photometrics



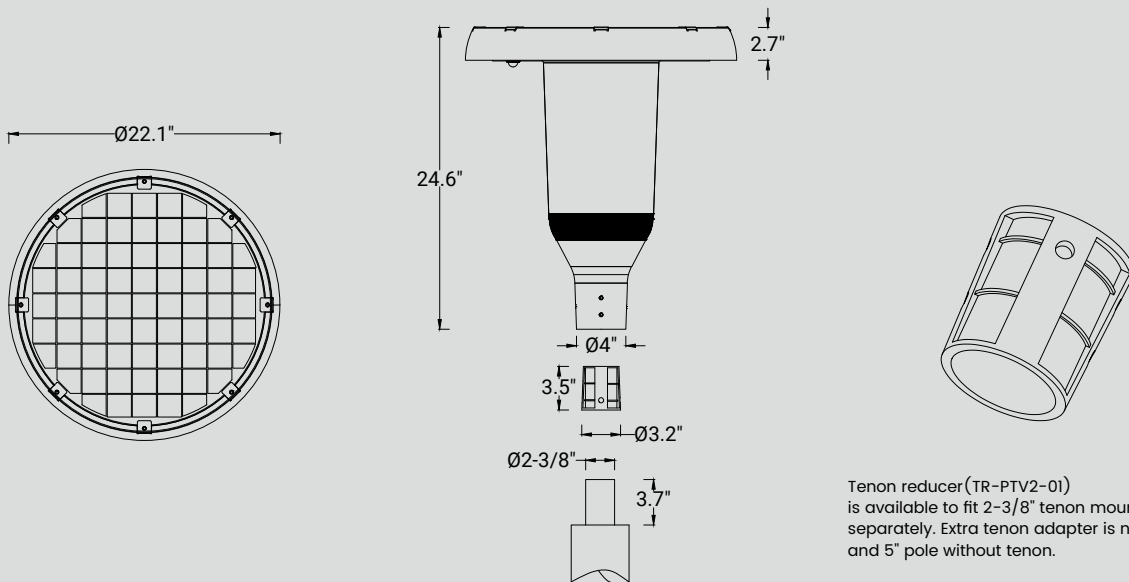
PTSL-15-XX-T5-S



Manufacturer	ATG Electronics Configuration	Single
Lamp Lumens	2204 Orientation	Single
Lamp Quantity	1 Mounting Height	6
Light Loss Factor	1 Arm Length	1
Input Power	Tilt	0
Max Illuminance	6 Area > 0.5fc	801

These lighting calculation results are for general informational purposes only and are provided without warranty as to accuracy, completeness, reliability or otherwise. Results are based on user provided data and data provided from publicly available sources; actual field conditions may affect calculated output. Visit www.Visual-3D.com.

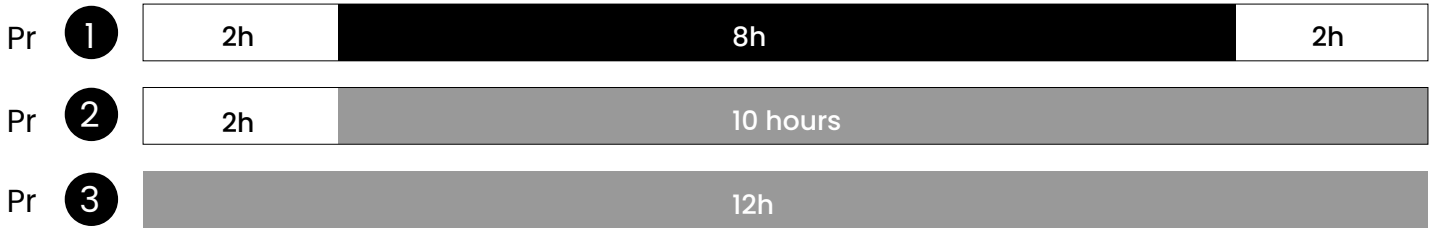
PHYSICAL SPECIFICATIONS




Part Number	Dimension	Gross Weight	Net Weight	BUG	EPA
PTSL-15-XX-T5-S	Ø22"×22.4"	29.8 lbs	19.8 lbs	B1-U3-G1	1.83ft ²

CLIO SOLAR SLEEK

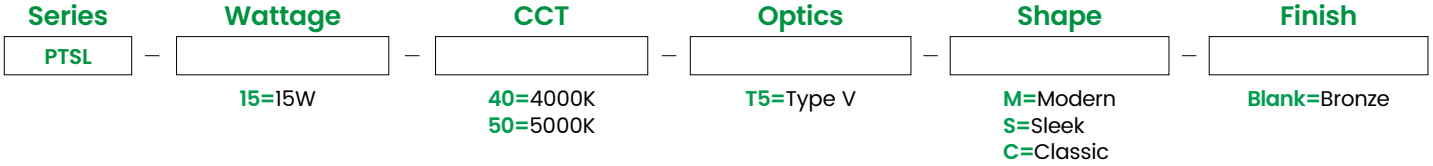
CONTROL MODE



- 100% Full Brightness 30% Dim
- 30% dim without movement, 100% for 20 seconds when the motion sensor activated

Control mode can be switched with remote 

ORDER FORMAT



CLIO SOLAR SLEEK

NATIONAL SOLAR RADIATION CHART

