

# CLIO SOLAR CLASSIC



### CONSTRUCTION

- All-in-one design with solar panel, light engine and battery
- Modern form design, ideal for architectural outdoor application
- Die cast aluminum housing, clear glass diffuser

### PHOTOMETRICAL INFO

- 4000K/5000K
- CRI>80

### SOLAR & BATTERY

- 18V/30W mono-crystalline cell solar panel, with MPPT charge controller
- 12.7V/16AH LiFePO4 Battery, with overcharge and over-discharge protection  
2000 charge cycles (2000/365 days=5.47 years)
- Battery charge time: 16-20 hrs
- Max operation time: 36 hrs\*

\*Depend on sunlight quality

### OPTICS

- Type V distribution

### CONTROL MODE

- With pre-installed motion sensor
- Support dusk-to-dawn lighting, step dimming with motion sensor override, and time control

### MOUNTING

- Fit on 3" round pole, extra tenon reducer (sold separately) is available for 2-3/8" tenon mount
- Suggest mounting height: 10 ft to 20 ft

### APPLICATIONS

- Parks, city streets, school campuses, pedestrian walkway

### OPERATION TEMPERATURE

- -10°C (14°F) to 50°C (122°F)

### LIFESPAN & WARRANTY

- 5 year warranty, 100,000+ hrs lifetime based on LM-80 results and TM-21 calculations

### LISTINGS

- IP65 rated
- IK08 Impact rated

## PRODUCT SPECIFICATIONS

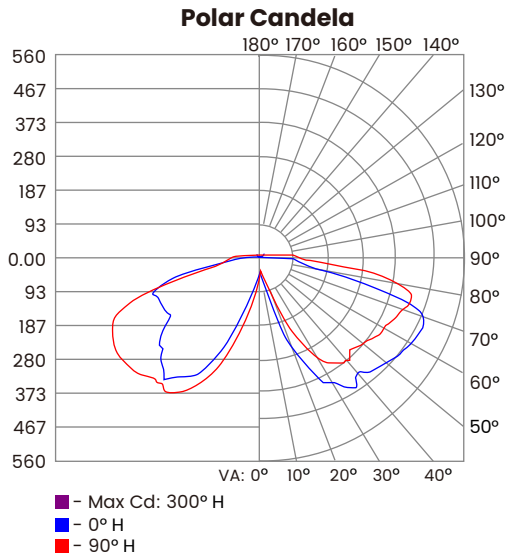
Part Number	Watts (W)	CRI	CCT(K)	Efficacy (LM/W)	Lumens (LM)	Solar Panel Voltage(V)	Solar Panel Power(W)	Battery Voltage(V)	Battery Capacity(AH)	Charge Time(Hrs)	Max Operation Time(Hrs)
PTSL-15-XX-T5-C	15	80	4000	154	2,305	18	30	12.8	16	16-20*	36*
			5000	177	2,651						

\*Charge time and operation time is depending on sunlight quality.

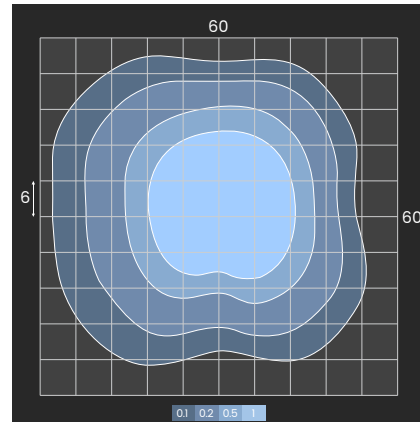
**CLIO SOLAR CLASSIC**

**LIGHT DISTRIBUTION PATTERN**

**PTSL-15-XX-T5-C Photometrics**



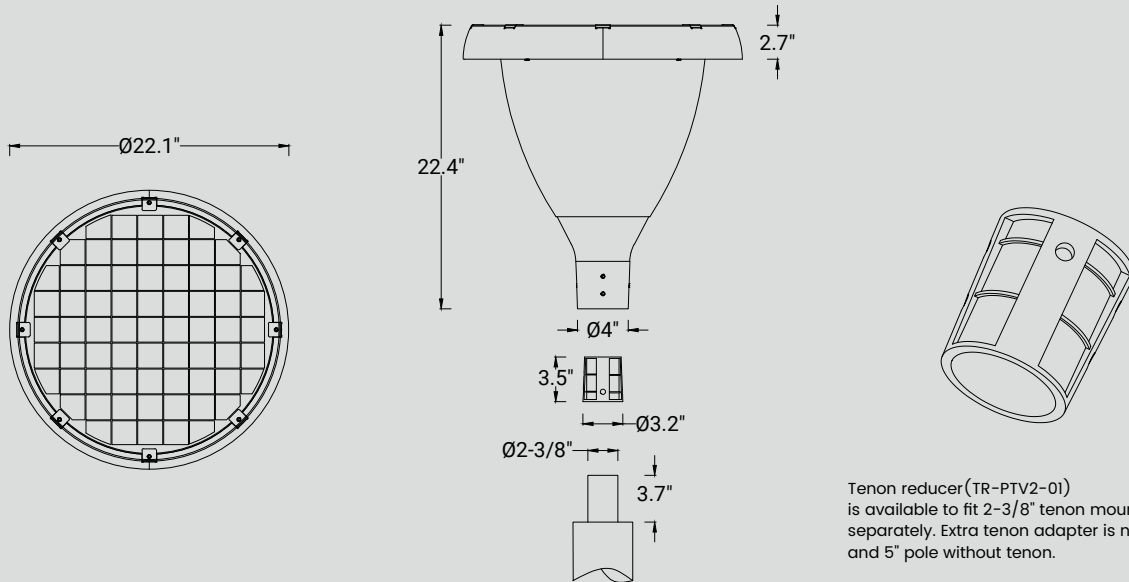
**PTSL-15-XX-T5-C**



Manufacturer	ATG Electronics Configuration	Single
Lamp Lumens	2305 Orientation	Single
Lamp Quantity	1 Mounting Height	6
Light Loss Factor	1 Arm Length	1
Input Power	Tilt	0
Max Illuminance	8 Area > 0.5fc	882

These lighting calculation results are for general informational purposes only and are provided without warranty as to accuracy, completeness, reliability or otherwise. Results are based on user provided data and data provided from publicly available sources; actual field conditions may affect calculated output. Visit [www.Visual-3D.com](http://www.Visual-3D.com).

**PHYSICAL SPECIFICATIONS**



Tenon reducer (TR-PTV2-01) is available to fit 2-3/8" tenon mount, sold separately. Extra tenon adapter is needed for 4" and 5" pole without tenon.

Part Number	Dimension	Gross Weight	Net Weight	BUG	EPA
PTSL-15-XX-T5-C	Ø22"*22.4"	29.8 lbs	20.3 lbs	B1-U2-G1	1.83ft²



**CLIO SOLAR CLASSIC**

**NATIONAL SOLAR RADIATION CHART**

