

ANT-15P-BLE-GE



FCC  
ETL  
DLC  
Bluetooth®  
Declaration ID: D062134

GEBC  
Bluetooth®

## 10-14V 0-10V Fixture-Integrated Bluetooth PIR Sensor

**ANT-15P-BLE-GE uses PIR motion detector architecture and passive infrared (PIR) technology for improved detection coverage for high bay, and low bay applications.** It utilizes a Bluetooth® Low Energy (BLE) mesh network. Dimming levels and schedules can be set through GEBC app.

low voltage connector, 4PIN Quick connector.

Download on the  
App Store



google play

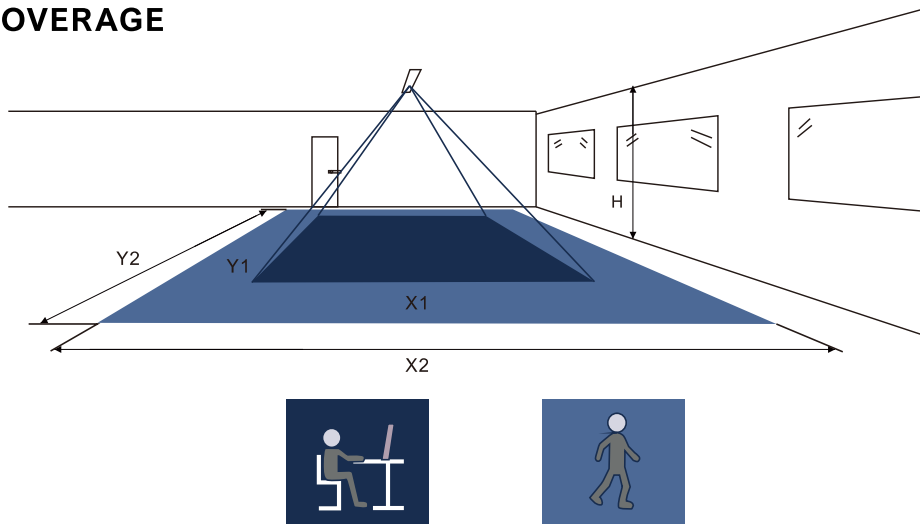


## TECHNICAL DATA

Motion Sensor	Passive infrared sensor
Input Power	10-14VDC, >50mA
Control Output	0-10V, max 25mA sinking current
Mounting height	13ft(4m) Max.
Detection angle	360°
Operating temperature	-20°C-60°C
Max Bluetooth Range	100ft(30m)
Warranty	5years



## SENSOR COVERAGE

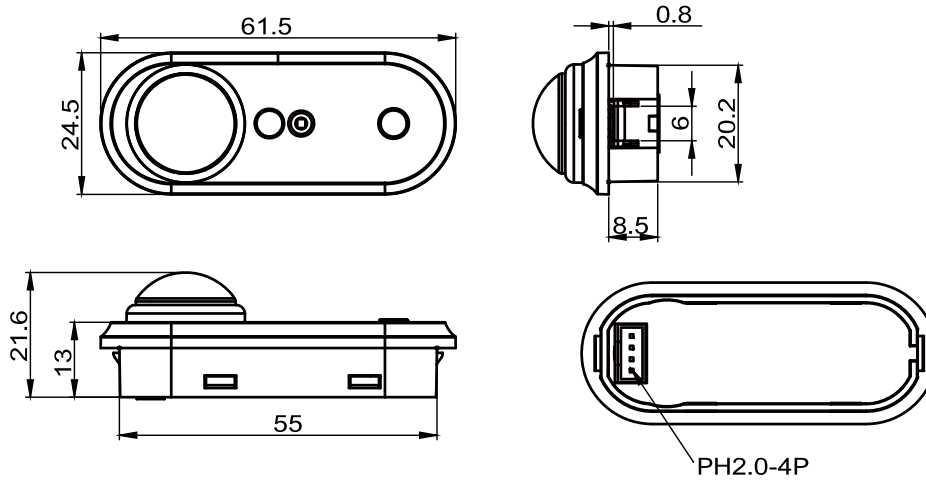


Height H	Minor Movement		Major Movement	
	Y1	X1	Y2	X2
8'/2.4m	10'/2.9m	9'/2.7m	15'/4.5m	10'/2.9m
10'/3m	12'/3.6m	11'/3.4m	18'/5.4m	12'/3.6m

Note: Longer dimension of detection area (Y1, Y2) is parallel to longer dimension.

## DIMENSIONS AND APPEARANCE

Unit:mm



## WIRING DIAGRAM

