

Lancer
Power and CCT Selectable Wall Mount Cylinder



DESCRIPTION

Wall Mount Cylinder |
Power & CCT Selectable | Direct & Indirect Light |
3" 4" & 6" | Interchangeable Optics |
120-277VAC Input | IP65 | With Integrated Photocell

APPLICATION

Entryway, façade, awning, building exterior



CONSTRUCTION

- Compact, robust die-cast aluminum body
 - With integrated photocell
 - Round to square shell available (sold separately)
 - Bronze finish comes standard, other colors optional for factory order*
- *Extra lead time and cost may apply

PHOTOMETRICAL

- CCT selectable (3000K/4000K/5000K)
- CRI>80

ELECTRICAL

- 120-277V input
- 0-10V dimming
- Power selectable
- Power factor>0.9, THD<10%

OPTICS

- Direct and indirect light field-adjustable
- Easy-to-swap reflectors, 40° comes standard, 25° and 60° optional(sold separately)

OPERATION TEMPERATURE

- Industry leading 10 year warranty for main components

WARRANTY

- -40°C (-40°F) – 50°C (122°F)

LIFESPAN

- 100,000+ Hrs lifetime based on LM-80 results and TM-21 calculations

LISTINGS

- UL Listed, suitable for wet locations
- IP65 rated

Lancer
Power and CCT Selectable Wall Mount Cylinder

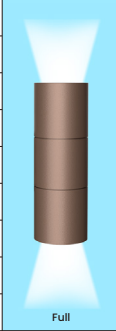
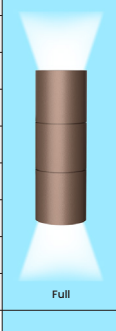
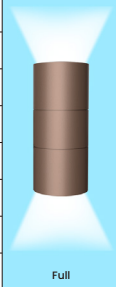
PRODUCT SPECIFICATIONS

Model Number	Beam Angle	Nominal Wattage	Nominal Wattage (w)	3000K			4000K			5000K			Light Direction Control
				Wattage (w)	Efficacy (LM/W)	Lumens (LM)	Wattage (w)	Efficacy (LM/W)	Lumens (LM)	Wattage (w)	Efficacy (LM/W)	Lumens (LM)	
LAC-10-T1-PH Direct or Indirect	25°	120-277VAC	5	4.9	94.2	460	4.8	102.9	494	4.9	104.8	514	
			4	4.0	95.1	379	3.9	103.0	404	4.0	105.2	419	
			3	2.9	104.6	304	2.9	112.5	322	2.9	115.4	336	
LAC-20-T1-PH Direct or Indirect	25°	120-277VAC	10	10.8	79.8	861	10.7	91.9	983	10.9	94.4	1,026	
			8	8.8	91.2	803	8.7	96.1	841	8.9	97.9	868	
			6	7.1	92.0	649	7.0	96.5	677	7.1	98.8	702	
LAC-35-T1-PH Direct or Indirect	25°	120-277VAC	18	19.3	75.0	1,445	19.1	84.0	1,608	19.6	83.3	1,628	
			15	15.9	76.9	1,225	15.8	85.9	1,359	16.0	85.5	1,370	
			12	12.7	78.5	1,001	12.6	88.4	1,113	12.7	88.9	1,131	
LAC-10-T1-PH Direct or Indirect	40°	120-277VAC	5	4.9	74.8	366	4.8	86.3	414	4.9	87.6	430	
			4	4.0	76.1	303	3.9	86.8	340	4.0	88.6	353	
			3	2.9	76.9	223	2.9	86.8	248	2.9	89.9	261	
LAC-20-T1-PH Direct or Indirect	40°	120-277VAC	10	10.8	82.0	885	10.7	92.1	985	10.9	97.5	1,060	
			8	8.8	86.7	764	8.7	95.6	836	8.9	99.3	881	
			6	7.1	87.7	619	7.0	95.5	670	7.1	99.3	705	
LAC-35-T1-PH Direct or Indirect	40°	120-277VAC	18	19.3	79.6	1,533	19.1	86.6	1,658	19.6	85.5	1,671	
			15	15.9	84.6	1,347	15.8	90.0	1,424	16.0	88.5	1,417	
			12	12.7	86.6	1,104	12.6	92.2	1,161	12.7	92.7	1,180	
LAC-10-T1-PH Direct or Indirect	60°	120-277VAC	5	4.9	85.7	419	4.8	94.6	454	4.9	97.2	476	
			4	4.0	87.3	348	3.9	94.6	371	4.0	98.3	392	
			3	2.9	96.0	279	2.9	103.9	297	2.9	107.9	314	
LAC-20-T1-PH Direct or Indirect	60°	120-277VAC	10	10.8	82.2	887	10.7	94.7	1,013	10.9	95.5	1,037	
			8	8.8	84.2	742	8.7	95.9	839	8.9	97.5	864	
			6	7.1	86.1	608	7.0	97.4	683	7.1	99.1	704	
LAC-35-T1-PH Direct or Indirect	60°	120-277VAC	18	19.3	74.3	1,430	19.1	84.6	1,620	19.6	84.1	1,643	
			15	15.9	77.7	1,238	15.8	86.9	1,375	16.0	86.4	1,383	
			12	12.7	89.7	1,143	12.6	89.6	1,128	12.7	90.0	1,145	

*When the cylinder is switch to direct or indirect light only, the wattage will be half of the system wattage.

Lancer
Power and CCT Selectable Wall Mount Cylinder

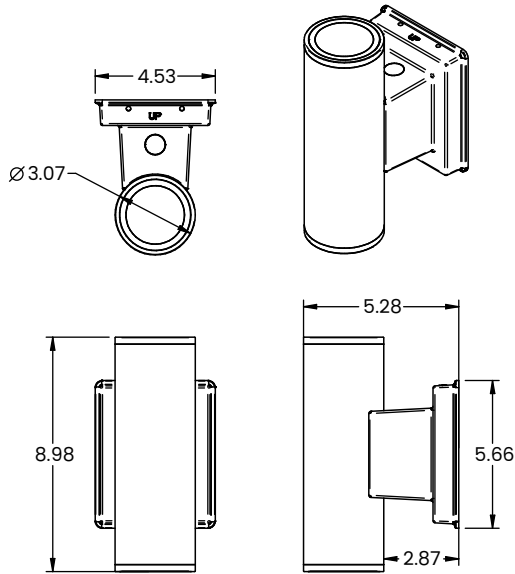
PRODUCT SPECIFICATIONS

Model Number	Beam Angle	Nominal Wattage	Nominal Wattage (w)	3000K			4000K			5000K			Light Direction Control
				Wattage (w)	Efficacy (LM/W)	Lumens (LM)	Wattage (w)	Efficacy (LM/W)	Lumens (LM)	Wattage (w)	Efficacy (LM/W)	Lumens (LM)	
LAC-10-T1-PH Full(Direct and Indirect)	25°	120-277VAC	10	9.6	96.0	921	9.4	104.8	988	9.7	105.6	1,028	
			8	7.8	97.4	758	7.7	105.6	808	7.9	106.6	837	
			6	6.2	98.2	607	6.1	105.5	644	6.2	107.7	671	
LAC-20-T1-PH Full(Direct and Indirect)	25°	120-277VAC	20	20.6	83.5	1,722	20.5	96.0	1,967	20.9	98.2	2,051	
			16	15.9	101.1	1,607	15.7	106.8	1,682	16.2	106.9	1,736	
			12	12.7	102.3	1,298	12.6	107.2	1,354	13.0	108.2	1,404	
LAC-35-T1-PH Full(Direct and Indirect)	25°	120-277VAC	35	37.0	78.1	2,887	36.4	88.4	3,217	37.1	87.8	3,256	
			29	31.9	76.9	2,449	31.6	86.1	2,719	32.0	85.7	2,739	
			22	23.4	85.4	2,002	23.2	96.0	2,226	23.5	96.4	2,261	
LAC-10-T1-PH Full(Direct and Indirect)	40°	120-277VAC	10	9.4	77.9	732	9.2	89.9	828	9.4	91.3	859	
			8	7.7	79.3	607	7.5	90.5	681	7.6	92.3	705	
			6	5.6	80.2	447	5.5	90.5	497	5.6	93.6	523	
LAC-20-T1-PH Full(Direct and Indirect)	40°	120-277VAC	20	20.7	85.5	1,769	20.8	94.7	1,971	21.4	99.1	2,120	
			16	17.6	86.8	1,528	17.5	95.4	1,672	17.7	99.3	1,761	
			12	13.9	89.0	1,238	13.8	97.0	1,340	13.9	101.6	1,411	
LAC-35-T1-PH Full(Direct and Indirect)	40°	120-277VAC	35	33.9	90.5	3,066	34.1	97.1	3,316	36.4	91.9	3,342	
			29	28.5	94.5	2,694	28.2	100.9	2,848	29.5	96.2	2,834	
			22	22.3	99.1	2,207	22.1	105.2	2,323	23.0	102.5	2,360	
LAC-10-T1-PH Full(Direct and Indirect)	60°	120-277VAC	10	9.6	78.0	748	9.4	89.9	843	9.5	91.1	869	
			8	7.8	78.4	612	7.7	89.9	689	7.8	91.9	716	
			6	6.3	78.8	493	6.1	89.6	551	6.2	92.4	576	
LAC-20-T1-PH Full(Direct and Indirect)	60°	120-277VAC	20	21.6	82.3	1,774	21.4	94.7	2,027	21.7	95.6	2,075	
			16	17.6	84.2	1,483	17.5	95.9	1,678	17.7	97.5	1,728	
			12	12.8	95.2	1,215	12.7	107.5	1,366	13.0	108.4	1,407	
LAC-35-T1-PH Full(Direct and Indirect)	60°	120-277VAC	35	38.4	74.5	2,861	38.2	84.8	3,239	38.2	86.0	3,287	
			29	30.9	80.2	2,475	31.6	86.9	2,749	31.8	86.9	2,765	
			22	23.5	96.2	2,260	23.2	97.3	2,256	23.5	97.7	2,291	

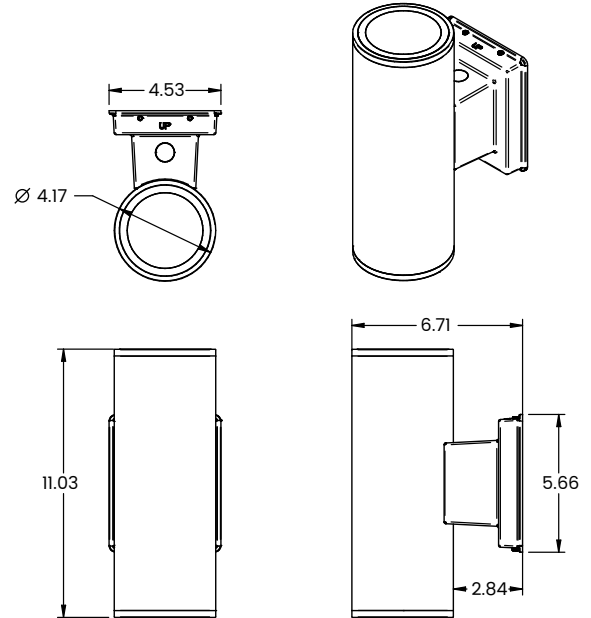
Lancer
Power and CCT Selectable Wall Mount Cylinder

DIMENSIONS

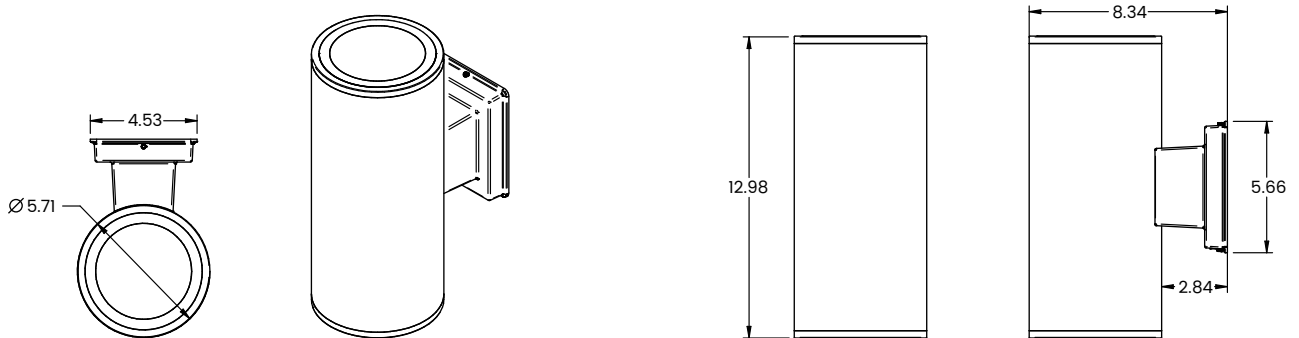
LAC-10-T1-PH



LAC-20-T1-PH



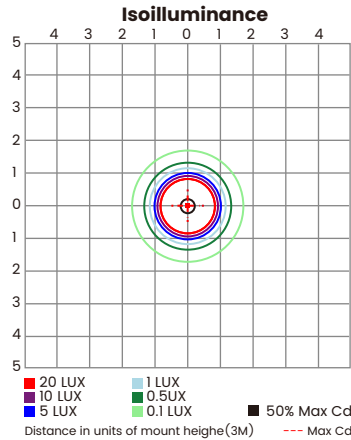
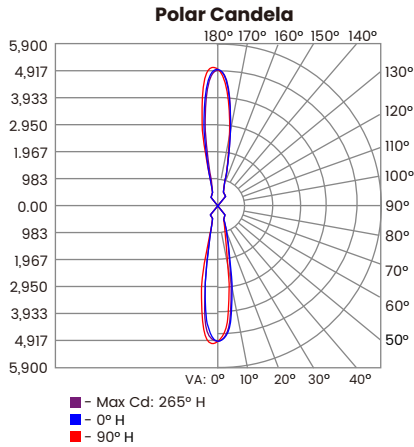
LAC-35-T1-PH



Lancer
Power and CCT Selectable Wall Mount Cylinder

PHOTOMETRIC SPECIFICATIONS

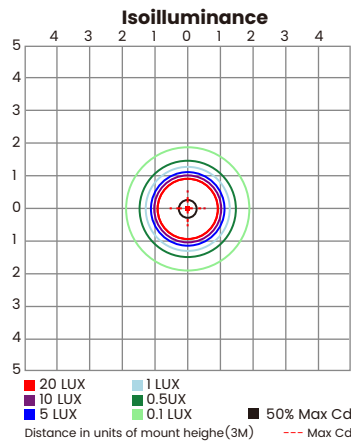
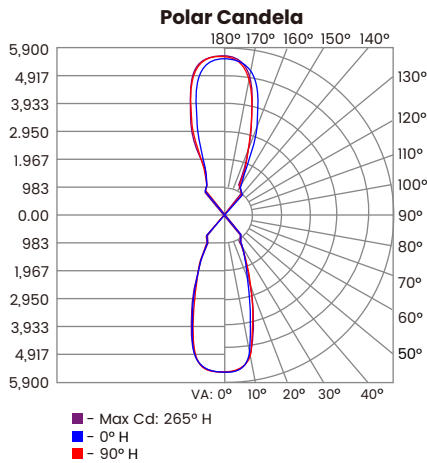
LAC-35-T1-PH set at 35W 4000K Direct & Indirect 25°



Zonal Lumen Summary

Zone	Lumens	% Lamp	% Luminaire
0-30	1,146.2	35.6%	35.6%
0-40	1,470.9	45.7%	45.7%
0-60	1,603.1	49.8%	49.8%
60-90	4.8	0.2%	0.2%
70-100	1.9	0.1%	0.1%
90-120	4.8	0.2%	0.2%
0-90	1,608.0	50%	50%
90-180	1,609.5	50%	50%
0-180	3,217.5	100%	100%

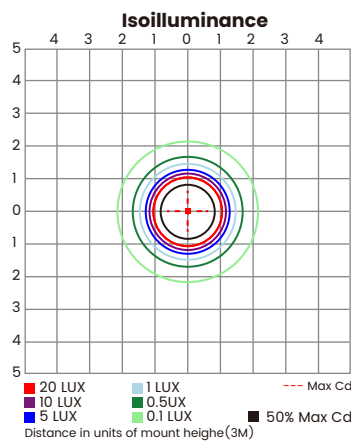
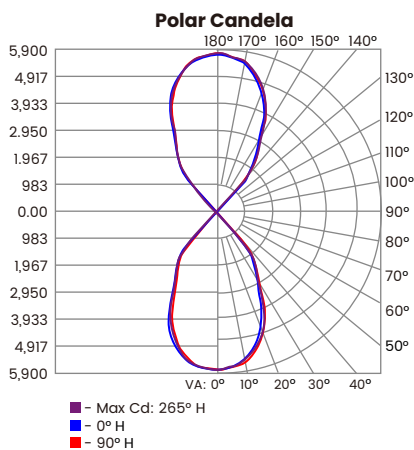
LAC-35-T1-PH set at 35W 4000K Direct & Indirect 40°



Zonal Lumen Summary

Zone	Lumens	% Lamp	% Luminaire
0-30	1,185.3	35.7%	35.7%
0-40	1,511.5	45.6%	45.6%
0-60	1,648.8	49.7%	49.7%
60-90	8.9	0.3%	0.3%
70-100	3.7	0.1%	0.1%
90-120	8.9	0.3%	0.3%
0-90	1,657.7	50%	50%
90-180	1,659.3	50%	50%
0-180	3,317.1	100%	100%

LAC-35-T1-PH set at 35W 4000K Direct & Indirect 60°



Zonal Lumen Summary

Zone	Lumens	% Lamp	% Luminaire
0-30	1,031.9	31.9%	31.8%
0-40	1,448.3	44.7%	44.7%
0-60	1,601.3	49.4%	49.4%
60-90	18.2	0.6%	0.6%
70-100	8.1	0.2%	0.2%
90-120	18.2	0.6%	0.6%
0-90	1,619.5	50%	50%
90-180	1,621.0	50%	50%
0-180	3,240.5	100%	100%

Lancer
Power and CCT Selectable Wall Mount Cylinder

Direct-Indirect Illumination Simplified *



Everything-Selectable through DIP Switch

Easy-Swap Optics, 3 Choices of Beam Angle*



Round to Square Shell Available



* When switch to pure direct or indirect light, the wattage will be half of the original

* 40° pre-installed, 15°/25°/60° optional (order separately)

Lancer
Power and CCT Selectable Wall Mount Cylinder

ACCESSORIES

MODEL NUMBER	DESCRIPTION
LAC-SQ6	Round to square shell for 6" Lancer Cylinder, field-installable
LAC-SQ4	Round to square shell for 4" Lancer Cylinder, field-installable
LAC-SQ3	Round to square shell for 3" Lancer Cylinder, field-installable
LAC-REF6-60D	Reflector replacement 6" Lancer Cylinder, 60°
LAC-REF6-25D	Reflector replacement 6" Lancer Cylinder, 25°
LAC-REF4-60D	Reflector replacement 4" Lancer Cylinder, 60°
LAC-REF4-25D	Reflector replacement 4" Lancer Cylinder, 25°
LAC-REF3-60D	Reflector replacement 3" Lancer Cylinder, 60°
LAC-REF3-25D	Reflector replacement 3" Lancer Cylinder, 25°



25° Reflector



60° Reflector



Round to Square Shell

ORDER FORMAT

Series	Wattage	CCT	Beam Angle	Control	Finish
LAC	24W	TI		PH	
LAC	35=35W/29W/22W Selectable 20=20W/16W/12W Selectable 10=10W/8W/6W Selectable	TI=3K/4K/5K Selectable	Blank=40°	PH=with photocell	Blank=Bronze