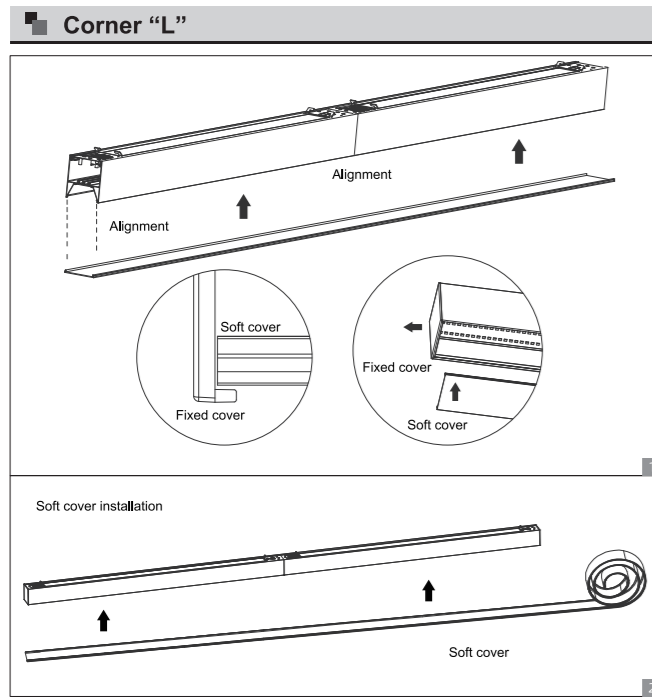


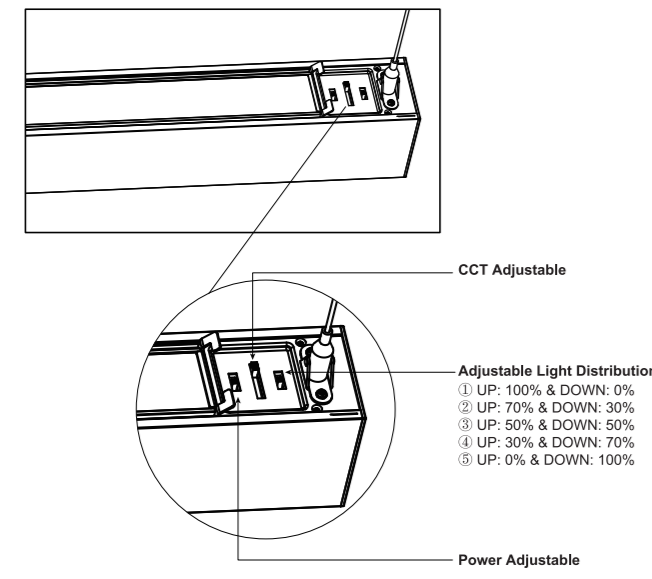
285 mm

210 mm

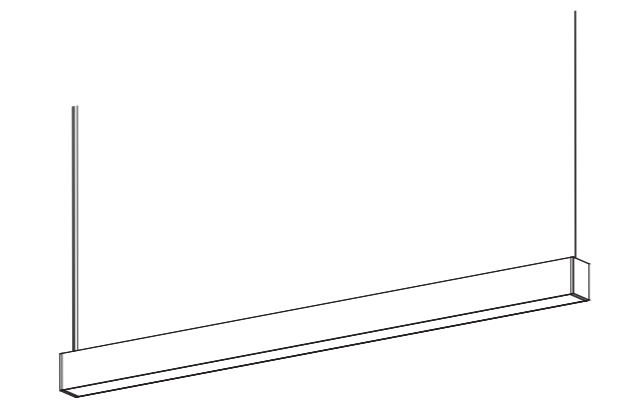


**Color Temperature & Light Distribution Field Adjustable Controls**

Select a desired color temperature and wattage by using the slide switch.



**LED LINEAR LIGHT USER GUIDE**



**Safety Instructions**

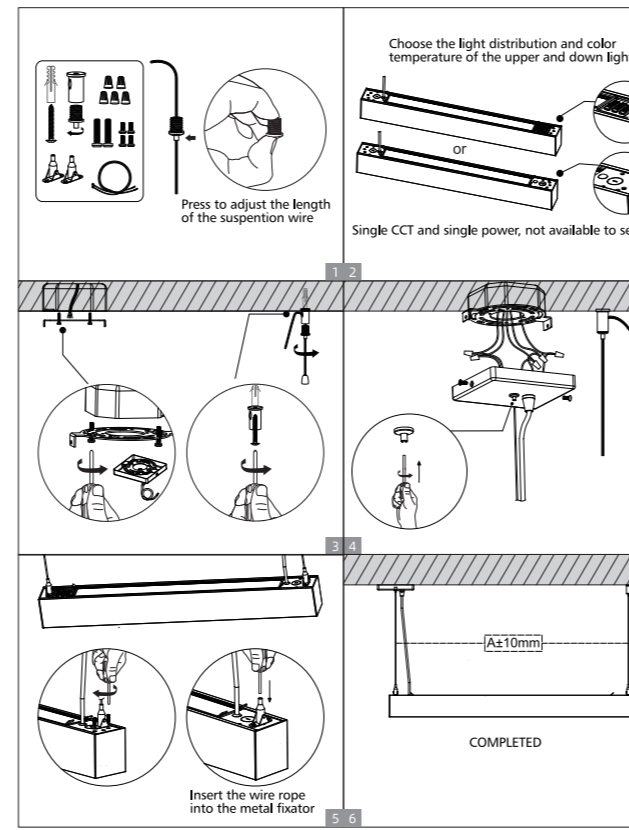
- To ensure correct function and safety, please read and follow all instructions carefully before using the product:
1. Turn off power before installation or before doing any maintenance work.
  2. Do not install any luminaire near the heat source.
  3. Do not exceed the nominal supply voltage or amperage ratings.
  4. Dimmable version could be compatible with a wide range of recommended TRIAC dimmers.
  5. All wiring and installation of the light fitting must adhere to local and national wiring rules.
  6. Take care not to pull any electrical wires during unpacking as this may damage the connection.
  7. Lay out all the components on a smooth surface and make sure there are no components missing before assembling.
  8. To avoid injury or damage to the fitting, please ensure that power leads and screws are secure before connecting the power.
  9. Please keep instructions for future reference.

**Installation Procedure**

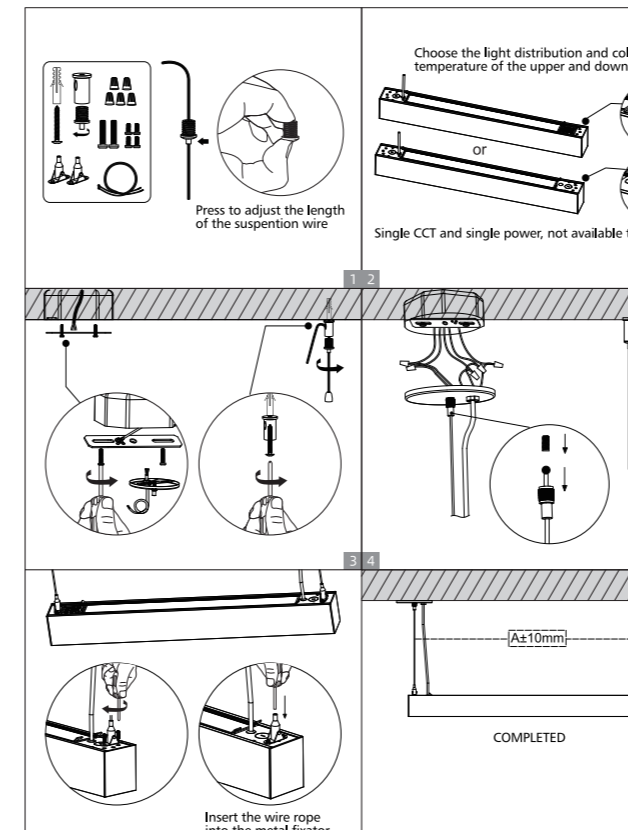
- WARNING** ⚡
1. Switch off before installation.
  2. Switch on only after complete installation and examination of the circuit.
  3. Professional electrician for installation and maintenance only.

Turn Off power supply before starting any installation. Read instructions & check you have all the tools & accessories to complete the installation correctly.

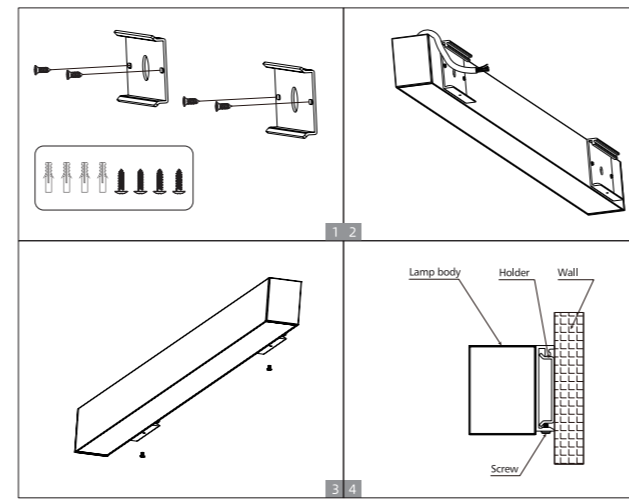
**Suspension installation with square surface plate**



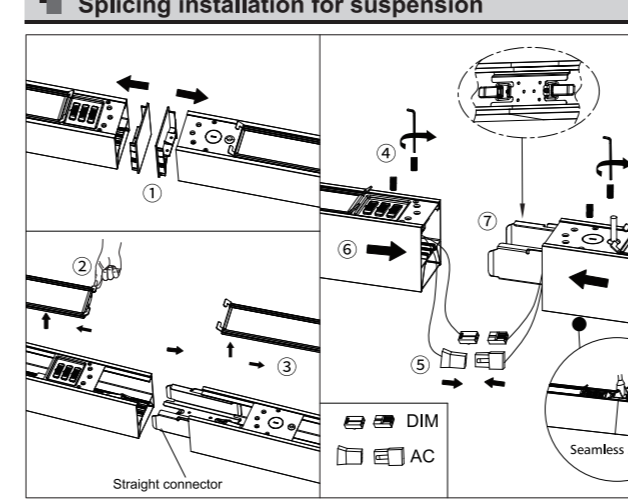
**Suspension installation with round surface plate**



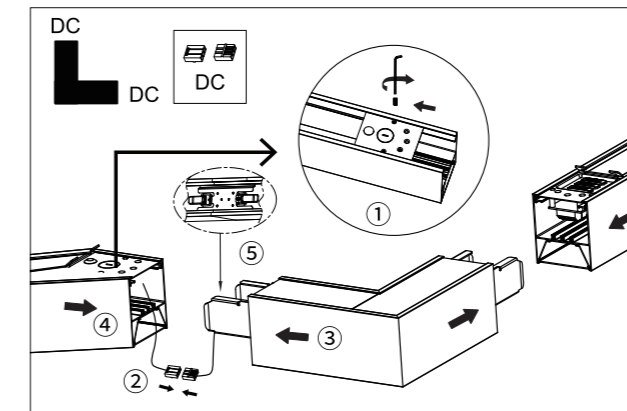
**Wall mounted installation**



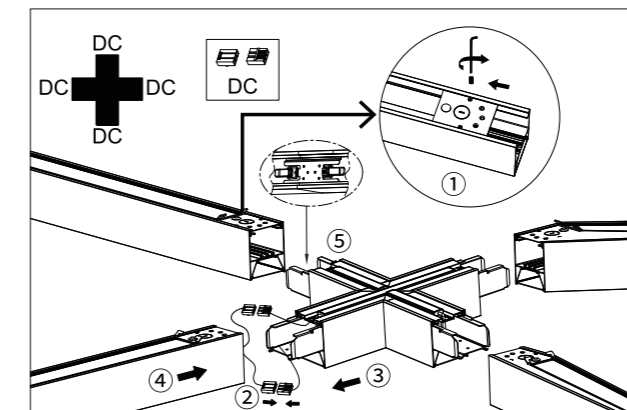
**Splicing installation for suspension**



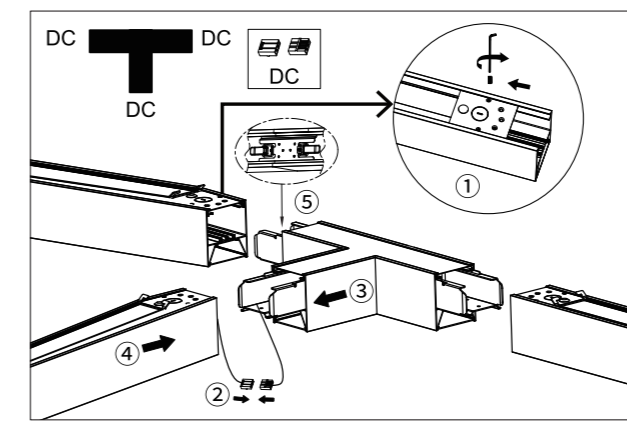
**Corner "L"**



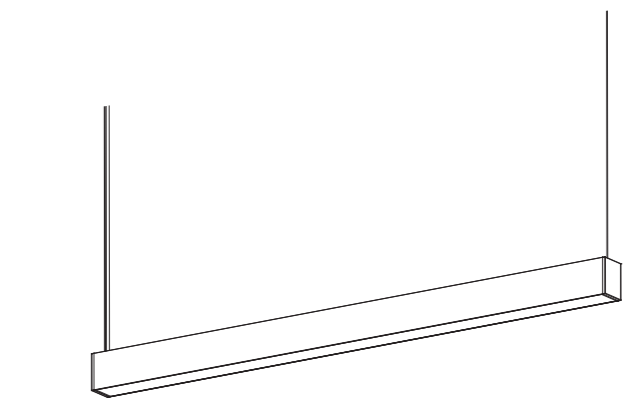
**Corner "+"**



**Corner "L"**



**LED LINEAR LIGHT USER GUIDE**



**Safety Instructions**

- To ensure correct function and safety, please read and follow all instructions carefully before using the product:
1. Turn off power before installation or before doing any maintenance work.
  2. Do not install any luminaire near the heat source.
  3. Do not exceed the nominal supply voltage or amperage ratings.
  4. Dimmable version could be compatible with a wide range of recommended 0-10V dimmers.
  5. All wiring and installation of the light fitting must adhere to local and national wiring rules.
  6. Take care not to pull any electrical wires during unpacking as this may damage the connection.
  7. Lay out all the components on a smooth surface and make sure there are no components missing before assembling.
  8. To avoid injury or damage to the fitting, please ensure that power leads and screws are secure before connecting the power.
  9. Please keep instructions for future reference.

**Installation Procedure**

- WARNING** ⚡
1. Switch off before installation.
  2. Switch on only after complete installation and examination of the circuit.
  3. Professional electrician for installation and maintenance only.

Turn Off power supply before starting any installation. Read instructions & check you have all the tools & accessories to complete the installation correctly.