

## ANT-3D-BLE-GE



FCC ID: 2AVMOGE01  
ETL  
cUL  
DLC  
Bluetooth®  
Declaration ID: D062134

## DC Bi-Level Bluetooth Microwave Sensor With Clips

The ANT-3D-BLE-GE uses bluetooth microwave motion detector architecture technology for improved detection coverage for low bay applications.

It utilizes a Bluetooth® Low Energy (BLE) mesh network. Dimming levels and schedules can be set through GEBC app.

GEBC  
Bluetooth®

Download on the  
App Store



google play

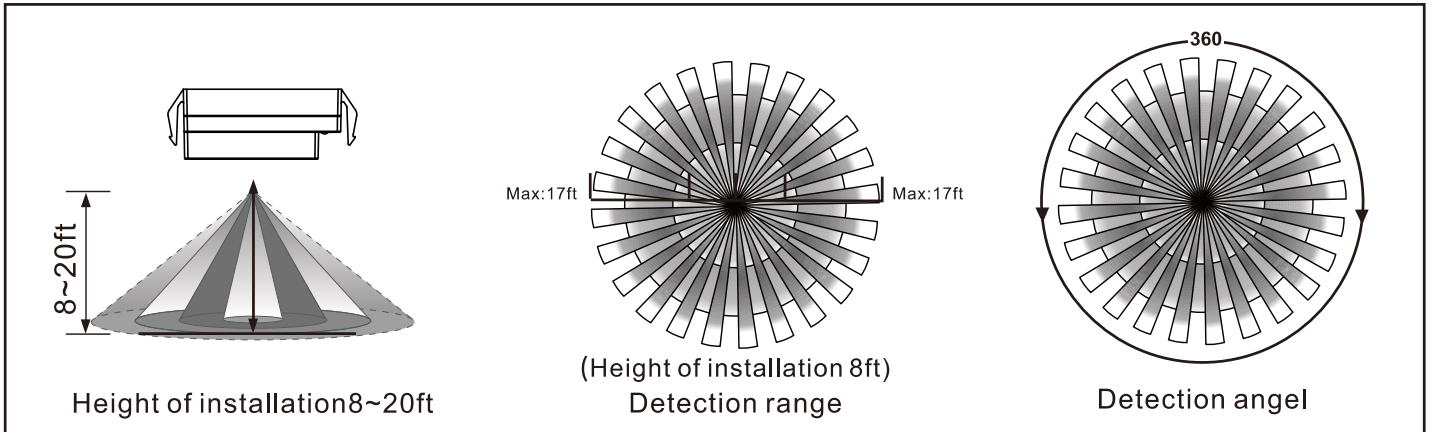


## TECHNICAL DATA

Motion Sensor	Microwave sensor
Input Power	10-14VDC, >50mA
Control Output	0-10V, max 25mA sinking current
HF System	5.8GHz±75MHz
Transmission power	<0.2mW
Mounting height	20ft(6m) Max.
Detection angle	360°
Operating temperature	-40°C~70°C
IP rating	20
Max Bluetooth Range	100ft(30m)
Warranty	5years

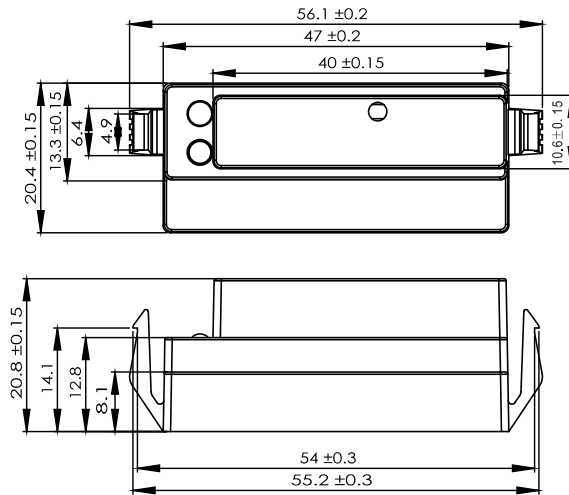


## SENSOR COVERAGE



## DIMENSIONS AND APPEARANCE

Unit:mm



## WIRING DIAGRAM

