

Guard Pack G2
DUO Selectable Full Cutoff Wall Pack

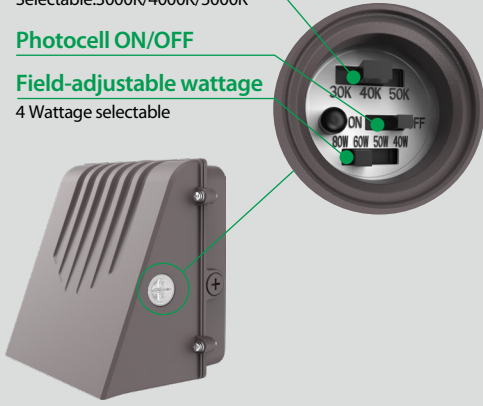
Field-adjustable CCT3CCT

Selectable:3000K/4000K/5000K

Photocell ON/OFF

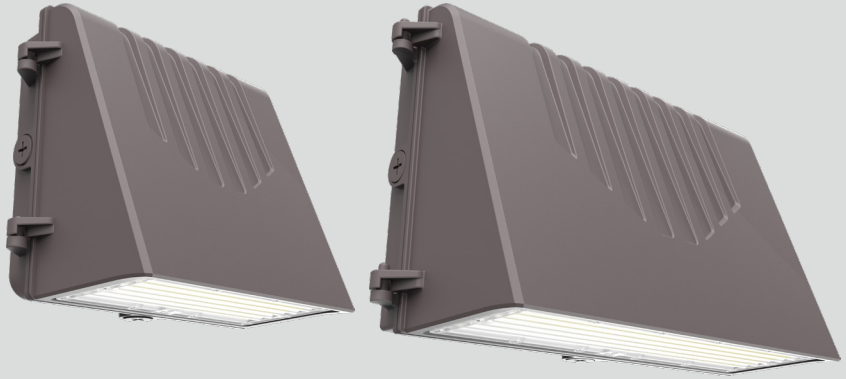
Field-adjustable wattage

4 Wattage selectable



WPGP-40M-T1

WPGP-80L-T1



DESCRIPTION

Full Cutoff LED Wall Pack | 120-277V Input | Power & CCT Selectable | 0-10V Dimming | Pre-installed Photocell



PRODUCT FEATURES

- Heavy Duty Die Cast Aluminum Housing, With Polycarbonate Lens
- Ingress Protection Rating of IP65, UL Listed for Wet Locations
- Color Select Technology (3000K/4000K/5000K)
- Power Select Technology(40W/30W/20W/15W)&(80W/60W/50W/40W)
- Calculated L70 Lifetime >136,000 Hrs @25°C/77°F Ambient Temperature
- Internal Photocell with ON/OFF Switch pre-installed
- Surge Protection: 6KV
- Microwave Sensor Available (Order Separately)
- Emergency Backup Available (Order Separately)
- Input: 120-277VAC, 50/60Hz
- Operating Temperature: -22°F (-30°C) to 113°F (45°C)
- CRI>80, Power Factor >0.95, THD <20%
- DLC Premium Listed
- 10 Year Limited Warranty Provided

APPLICATION

Building Exterior Illumination, Perimeters, Pathways, Loading Docks, Security Lighting

PRODUCT SPECIFICATIONS

Part Number	Input	Nominal Wattage(W)	3000K			4000K			5000K		
			Wattage (W)	Efficacy (LM/W)	Light Output(LM)	Wattage (W)	Efficacy (LM/W)	Light Output(LM)	Wattage (W)	Efficacy (LM/W)	Light Output(LM)
WPGP-40M-T1	120-277Vac	15	15.0	159.0	2,385	15.0	166.0	2,490	15.0	162.0	2,430
		20	20.0	157.0	3,140	20.0	164.0	3,280	20.0	161.0	3,220
		30	30.0	155.0	4,650	30.0	162.0	4,860	30.0	160.0	4,800
		40	40.0	152.0	6,080	40.0	161.0	6,440	40.0	158.0	6,320
WPGP-80L-T1	120-277Vac	40	39.3	159.3	6,259	37.5	165.2	6,188	39.4	154.8	6,093
		50	49.2	160.1	7,879	47.2	166.3	7,850	49.5	158.7	7,859
		60	59.7	153.8	9,174	57.1	165.2	9,436	59.8	159.1	9,515
		80	79.1	154.1	12,189	77.0	166.0	12,792	80.0	160.1	12,816

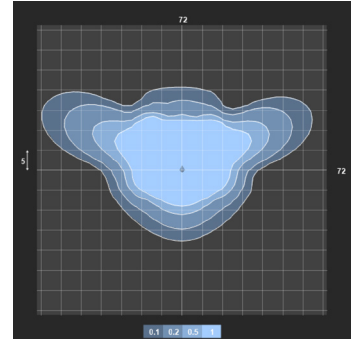
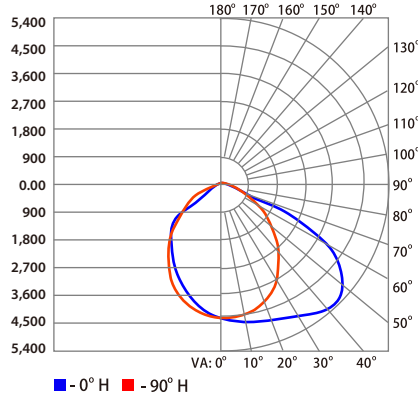
*Data for WPGP-80L-T1 is based on in-house IES file. *Data for WPGP-40M-T1 is based on extrapolated data.

Guard Pack G2

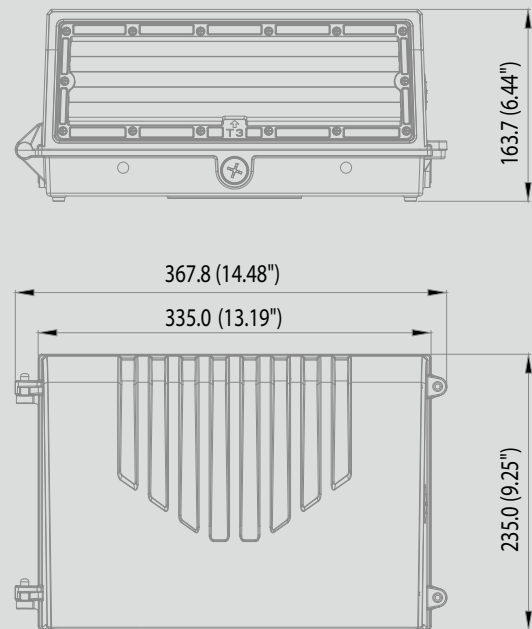
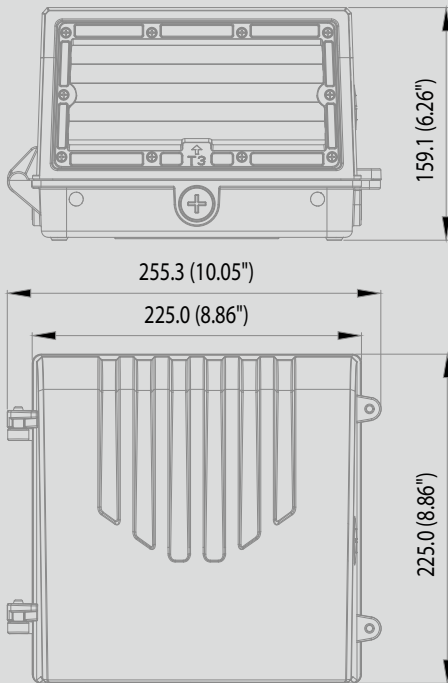
DUO Selectable Full Cutoff Wall Pack

LIGHT DISTRIBUTION PATTERN

Manufacturer	ATG LED LIGHTING
Description	FULL CUTOFF LED WALL PACK, Set at 80W,4000K
Lamp	WPGP-80L-T1-G2
Lamp Output	1 lamp, rated Lumens/lamp: 12792
Input Wattage	77.0481
Luminous Opening	Rectangle (L: 0.1M, W: 0.3M)
Max Cd	5,340.4 at Horizontal: 0°, Vertical: 43°
CUTOFF CLASS	Semicutoff
Roadway Class	VERY SHORT, TYPE III
Efficiency	99%



PHYSICAL SPECIFICATIONS



Model	Fixture Dimension			Packing	Net Weight	Gross Weight	Packing
	Width	Height	Depth				
WPGP-40M-T1-G2	10.05"	8.86"	6.26"	12.24"*11.02"*8.46"	3.75 lbs	5.29 lbs	B2-U0-G2
WPGP-80L-T1-G2	14.48"	9.25"	6.44"	16.73"*11.42"*8.54"	5.95 lbs	7.72 lbs	B3-U0-G2

Ambient Test Temp	Reported Hrs	0 Hrs	25,000 Hrs	50,000 Hrs	100,000 Hrs	L70 Hrs
25°C / 77°F	54,000	1	0.93884	0.8784	0.7696	136,000

Guard Pack G2

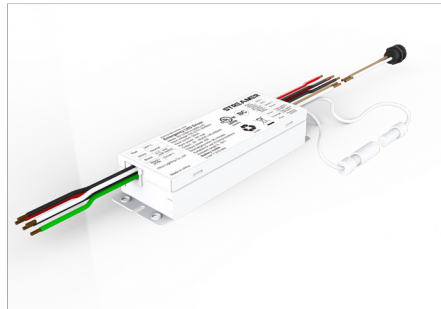
DUO Selectable Full Cutoff Wall Pack

ADDITIONAL ACCESSORIES (SOLD SEPARATELY)

ATG CODE	MODEL NUMBER	DESCRIPTION
SE	BRI823-X-D	Digital PIR Bi-level Sensor, 12VDC, IP65
RQ	HB03R	Remote for HB03DPR-A and HB01DMS
EM	STB41A-08WLi-300	Emergency Kit, Input: 120-277VAC, Emergency Output: 8W,90-300VDC



BRI823-X-D



STB41A-08WLi-300

ORDER FORMAT

Series	Wattage	CCT	Input Voltage	Options	Gen
<div style="border: 1px solid black; padding: 2px; display: inline-block;">WPGP</div>	<div style="border: 1px solid black; width: 150px; height: 20px; margin: 0 auto;"></div>	<div style="border: 1px solid black; padding: 2px; display: inline-block;">T1</div>	<div style="border: 1px solid black; width: 100px; height: 20px; margin: 0 auto;"></div>	<div style="border: 1px solid black; width: 120px; height: 20px; margin: 0 auto;"></div>	<div style="border: 1px solid black; padding: 2px; display: inline-block;">G2</div>
WPGP	40W= 40W/30W/20W/15W Selectable 80W= 80W/60W/50W/40W Selectable	T1= 3K/4K/5K Selectable	Blank= 120-277Vac	Blank=no options SE=with sensor PH=with photocell EM=with EM unit	G2