



HELIX G4

LED ROUND HIGH BAY



HELIX G4
HIGH BAY

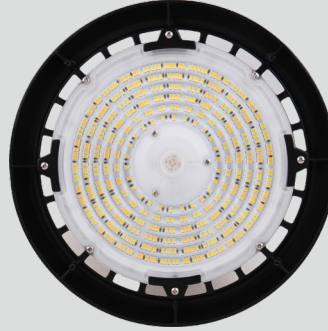
HELIX G4
LED ROUND HIGH BAY

DESCRIPTION

LED Round High Bay / 120-277VAC
input(347-480V Optional)/ Power & CCT Selectable / Ribbed Lens/
PC & Aluminum Shroud Available(Optional)/ PNP Sensor (Optional)

APPLICATION

Warehouse/ Gym/Manufacturing/ Retail/ Distribution Center/ Hangar/ Workshop



PRODUCT FEATURES

- Power Selectable Technology: covering 3 wattage selections with 1 SKU(not for all models)
- CCT Selectable Technology: 3500K/4000K/5000K select
- Powder-coated aluminum housing, polycarbonate lens
- Optional PNP multifunction sensor, receptacle pre-installed
- 0-10V dimmable driver, featuring 12V AUX power tap
- RELOC options available*
- Ring-bolt mount included as default, pendant mount kit available*
- PC & Aluminum refractor offered*
- IP65 rated for wet location application
- Ambient operating temperature: -40°C(-40°F) to 55°C(131°F)
- DLC Premium listed
- 6KV surge protection

* optional accessories, order separately

PRODUCT SPECIFICATIONS

Model Number	Input Voltage(AC)	Nominal Watts(W)	3500K			4000K			5000K		
			Watts (W)	Efficacy (LM/W)	Lumens (LM)	Watts (W)	Efficacy (LM/W)	Lumens (LM)	Watts (W)	Efficacy (LM/W)	Lumens (LM)
HBUF-150W-T1-G4	120-277 (347-480 optional)	150	153.1	138.6	21,208	144.862	158.5	22,962	150.7	139.4	21,005
		120	118.5	145.5	17,242	114.189	164.7	18,807	118.2	149.2	17,627
		90	98.3	151.9	14,931	95.1593	168.8	16,062	98.0	155.5	15,229
HBUF-240W-T1-G4	120-277 (347-480 optional)	240	249.8	138.3	34,550	237.154	161.9	38,390	251.0	144.6	36,288
		200	204.4	145.2	29,691	195.443	166.8	32,597	204.4	149.8	30,617
		180	180.0	149.6	26,927	180.0	171.8	30,922	180.0	154.3	27,771

*Data for 180W are extrapolated with reasonable factor, other data are based on in-house IES files.

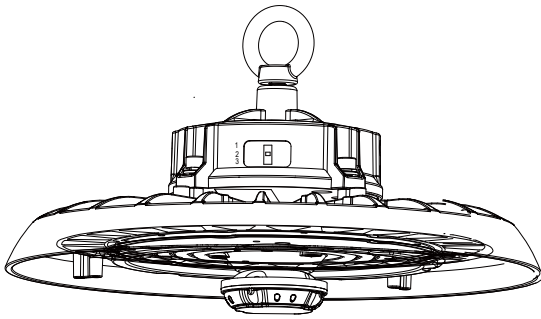
HELIX G4
LED ROUND HIGH BAY

LUMEN MAINTENANCE

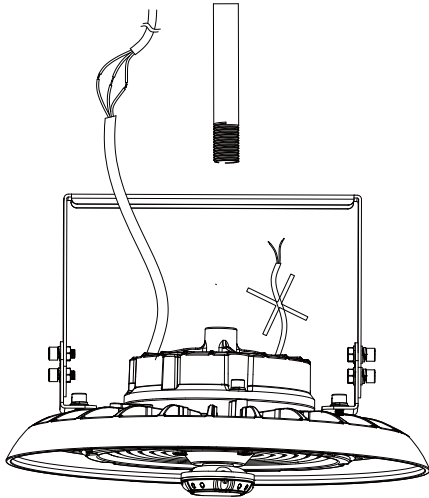
PROJECTED LUMEN MAINTENANCE

Ambient Test Temp	Reported Hrs	0 Hrs	25,000 Hrs	50,000 Hrs	TM-21-11 54,000	100,000 Hrs	L70 Hrs
25°C/77°F	>54,000	1	0.935	0.876	0.867	0.7693	136,000

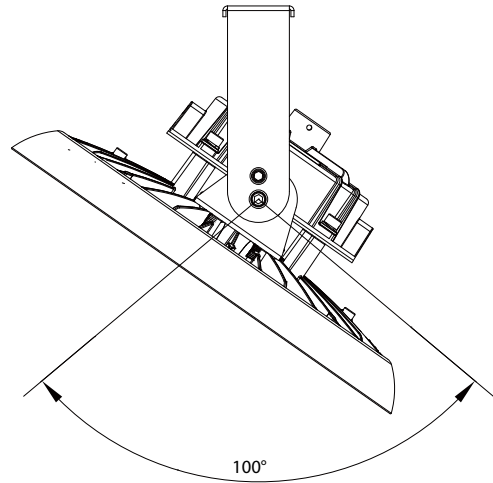
INSTALLATION



Ring-bolt



PENDANT

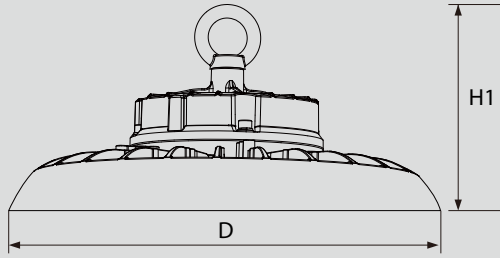


CEILING MOUNT

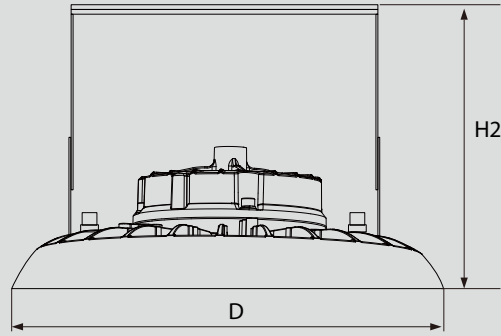
* Ring-bolt comes standard, pendant mount and ceiling mount optional.
* Check below see more info about mount kits.

HELIX G4
LED ROUND HIGH BAY

DIMENSIONS



Ring-bolt



Pendant

PART#	WATTAGE	DIAMETER(D)	HEIGHT(H1)	HEIGHT(H2)
HBUF-150W-T1-G4	150W SELECT	11.02"	7.15"	7.22"
HBUF-240W-T1-G4	240W SELECT	13.39"	7.15"	8.1"

PHYSICAL FEATURES



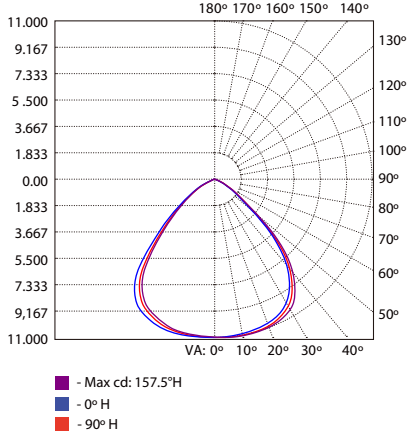
- 1. Power field adjustable
- 2. CCT field adjustable
- 3. Ring-bolt mount comes standard, pendant mount (1/2 NPT) available with optional mounting kit
- 4. Sensor receptacle pre-installed, multifunction sensor and BLE sensor optional

HELIX G4
LED ROUND HIGH BAY

PHOTOMETRIC SPECIFICATIONS

HBUF-150W-T1-G4 @150W,4000K

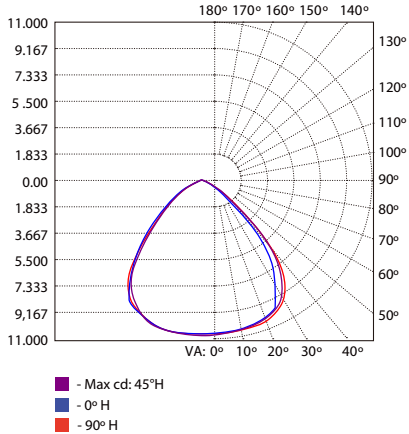
Input Voltage (VAC): 120-277
 Tested Voltage (VAC): 120
 Nominal Wattage (W): 150/120/90 Select
 Tested Wattage (W): 150
 Lumen Output (W): 22,962
 Efficacy (LM/W): 153
 CCT(K): 4000
 Spacing Criteria (0-180): 1.3
 Spacing Criteria (90-270): 1.33



Cone Of Light Tabulation	
Mounted Height (Feet)	Footcandles Beam Center(Fc)
6	302.1
12	75.5
18	33.6
24	18.9
30	12.1
Data Multipliers	
AL Reflector	0.95
PC Refelctor	0.98
PC Refelctor&Bottom Cover	0.85

HBUF-240W-T1-G4 @240W,4000K

Input Voltage (VAC): 120-277
 Tested Voltage (VAC): 120
 Nominal Wattage (W): 240/200/180 Select
 Tested Wattage (W): 237
 Lumen Output (W): 38,390
 Efficacy (LM/W): 162
 CCT(K): 4000
 Spacing Criteria (0-180): 1.32
 Spacing Criteria (90-270): 1.34



Cone Of Light Tabulation	
Mounted Height (Feet)	Footcandles Beam Center(Fc)
6	512.9
12	128.2
18	57.0
24	32.1
30	20.5
Data Multipliers	
AL Reflector	0.95
PC Refelctor	0.98
PC Refelctor&Bottom Cover	0.85

HELIX G4

LED ROUND HIGH BAY

ADDITIONAL ACCESSORIES (SOLD SEPARATELY)

ATG CODE	MODEL NUMBER	DESCRIPTION
SQ	HB01DMS	Microwave Sensor for Helix G4, 12VDC
RQ	HB03R	Remote for HB01DMS and HB03DPR-A
EA	EMUFO-25170	EM Kit, 25W, Lithium Battery
EB	EMUFO-40170	EM Kit, 40W, Lithium Battery
SR	HB03DPR-A	PIR sensor for Helix G4, 12VDC
PMKA	PMK-HBUF-G4A	Pendant Mount Kit for 150W Helix G4 DUO Selectable Highbay
PMKB	PMK-HBUF-G4B	Pendant Mount Kit for 240W Helix G4 DUO Selectable Highbay
SRDP	SRD-HBUF-G4-D90	PC Shroud for 150W Helix G4 DUO Selectable Highbay, 90 degree
SRDL	SRD-HBUF-G4-D90L	PC Shroud for 240W Helix G4 DUO Selectable Highbay, 90 degree
SRDA	SRD-HBUF-G4-D90A	Aluminum Shroud for 150W DUO Selectable Highbay, 90 degree
SRDB	SRD-HBUF-G4-D90B	Aluminum Shroud for 240W DUO Selectable Highbay, 90 degree
SRBC	SRD-HBUF-G4-BC	Bottom Cover for PC Shroud, 150W
SRBD	SRD-HBUF-G4-BD	Bottom Cover for PC Shroud, 240W
WGA	WG-HBUF-G4	Wire Guard for 150W Helix G4 DUO Selectable Highbay
WGB	WG-HBUF-G4B	Wire Guard for 240W Helix G4 DUO Selectable Highbay



EMUFO-25170



PMK-HBUF-G4



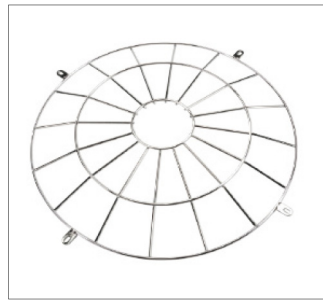
SRD-HBUF-G4-BC



SRD-HBUF-G4-D90-A1



SRD-HBUF-G4-D90



WG-HBUF-G4



HB03DPR-A



HB03R

ORDER FORMAT

Series	Wattage	CCT	Input	Gen	Finish	Sensor*	EM	Accessories*
HBUF				G4				
	150W= 150W/120W/90W Selectable 240W= 240W/190W/140W Selectable	T1=3500K/ 4000K/ 5000K Selectable	Blank= 120-277VAC V= 347-480VAC	G4= Gen4	Blank= Blank W= White	SQ NLC**	EA EB	RQ WG PMK SRDP SRDA SRBC

*See more details in ADDITIONAL ACCESSORIES sheet.

**Contact sales team for more details about NLC products.

HELIX G4 LED ROUND HIGH BAY

QUICK ORDERING GUIDE

✓	Part Number	Description	QUICK SHIPPING*
POWER & CCT SELECT MODELS			
	HBUF-150W-T1-G4	G4 DUO Helix LED Highbay, 0-10V dimming, 150W/120W/90W, 3500K/4000K/5000K, 120-277VAC, Clear Lens, Black Housing, with 12VDC AUX & receptacle	✓
	HBUF-240W-T1-G4	G4 DUO Helix LED Highbay, 0-10V dimming, 240W/200W/180W, 3500K/4000K/5000K, 120-277VAC, Clear Lens, Black Housing, with 12VDC AUX & receptacle	✓
	HBUF-150W-T1-V-G4	G4 DUO Helix LED Highbay, 0-10V dimming, 150W/120W/90W, 3500K/4000K/5000K, 347-480VAC, Clear Lens, Black Housing, with 12VDC AUX & receptacle	FACTORY ORDER
	HBUF-240W-T1-V-G4	G4 DUO Helix LED Highbay, 0-10V dimming, 240W/200W/180W, 3500K/4000K/5000K, 347-480VAC, Clear Lens, Black Housing, with 12VDC AUX & receptacle	FACTORY ORDER
POWER SELECT MODELS			
	HBUF-150P-50-G4	G4 Helix LED Highbay, 0-10V dimming, 150W/120W/90W, 5000K, 100-277VAC, Clear Lens, Black Housing, with 12VDC AUX & receptacle	✓
	HBUF-200P-50-G4	G4 Helix LED Highbay, 0-10V dimming, 200W/150W/125W, 5000K, 100-277VAC, Clear Lens, Black Housing, with 12VDC AUX & receptacle	✓
	HBUF-240P-50-G4	G4 Helix LED Highbay, 0-10V dimming, 240W/190W/140W, 5000K, 100-277VAC, Clear Lens, Black Housing, with 12VDC AUX & receptacle	✓
FIXED POWER & CCT MODELS			
	HBUF-200W-50-G4	G4 Helix LED Highbay, 0-10V dimming, 200W, 5000K, 100-277VAC, Clear Lens, Black Housing, with 12VDC AUX & receptacle	CLEARANCE
	HBUF-240W-50-G4	G4 Helix LED Highbay, 0-10V dimming, 240W, 5000K, 100-277VAC, Clear Lens, Black Housing, with 12VDC AUX & receptacle	CLEARANCE
	HBUF-300W-40-G4	G4 Helix LED Highbay, 0-10V dimming, 300W, 4000K, 100-277VAC, Clear Lens, Black Housing, with 12VDC AUX & receptacle	FACTORY ORDER
	HBUF-300W-50-G4	G4 Helix LED Highbay, 0-10V dimming, 300W, 5000K, 100-277VAC, Clear Lens, Black Housing, with 12VDC AUX & receptacle	✓
	HBUF-150W-40-V-G4	G4 Helix LED Highbay, 0-10V dimming, 150W, 4000K, 347-480VAC, Clear Lens, Black Housing, with 12VDC AUX & receptacle	FACTORY ORDER
	HBUF-150W-50-V-G4	GG4 Helix LED Highbay, 0-10V dimming, 150W, 5000K, 347-480VAC, Clear Lens, Black Housing, with 12VDC AUX & receptacle	✓
	SRD-HBUF-G4-D90	PC Shroud for 100W-240W G4 Helix Highbay, 90 degree	✓
	WG-HBUF-G4	Wire Guard for 100W-240W G4 Helix Highbay	✓
	PMK-HBUF-G4	Pendant and Ceiling Mount Kit	✓
	HB01DMS	Microwave Motion Sensor for G4 Helix Highbay, 12VDC	✓
	HB03R	Remote Control for HB01DMS	✓
	EMUFO-25170	Emergency Kit for 150P G4 Helix Highbay, Input: 100-347VAC, Emergency Output: 25W, 170VDC, Emergency Time: 90 mins, Lithium Battery	✓
	EMFUO-40170	Emergency Kit for 200W/240W G4 Helix Highbay, Input: 100-347VAC, Emergency Output: 40W, 170VDC, Emergency Time: 90 mins, Lithium Battery	✓
			✓

* QUICK SHIPPING means this is a inventory product, please contact our sales for realtime stock information.