



DESCRIPTION

Construction

- Steel housing provides durability and fire resistance
- Frosted polycarbonate lens
- Multiple sizes available, 5", 7", 9" and 12"

Optical System

- Precision engineered optical stack creates uniform light distribution
- 5-step CCT selectable
- Utilizes high performing LEDs with 80+ CRI

Electrical

- Input voltage of 120VAC, 60Hz
- Operating temperature rating of -4°F(-20°C) to 113°F(45°C)
- Dimmable to 5% with TRIAC dimmers
- Integral PIR Sensor
- EM Unit for 7" & 9"

Finish

- White powder coat finish trim

Mounting & Installation

- Surface mount comes standard
- Retrofit mount optional, extra latch needed
- Steel bracket can be used to mount on junction box
- Cut-out template and quick connectors included

Warranty

- 5-year limited warranty
- L70 calculated lifetime >100,000 hrs

Listings

- ETL listed for wet location
- Energy Star Listed
- FCC certified
- RoHS compliant: Free from harmful and hazardous materials

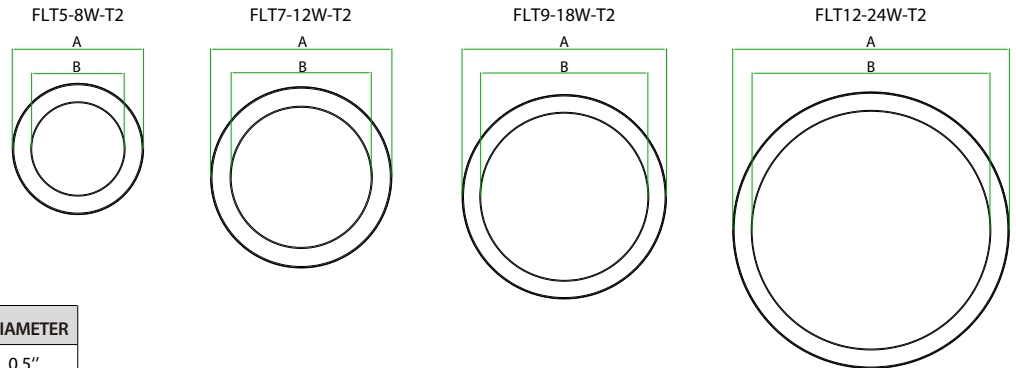
ORDER FORMAT

Series	Dimension	Wattage	CCT	Input	Sensor	Finish Color
FLT						
	5= 5"	8W= 8W	T2=2700K/3000K/3500K/ 4000K/5000K SELECT	Blank=120V	Blank=Without sensor SE=With sensor	Blank=White
	7= 7"	12W=12W				
	9= 9"	18W=18W				
	12= 12"	24W=24W				

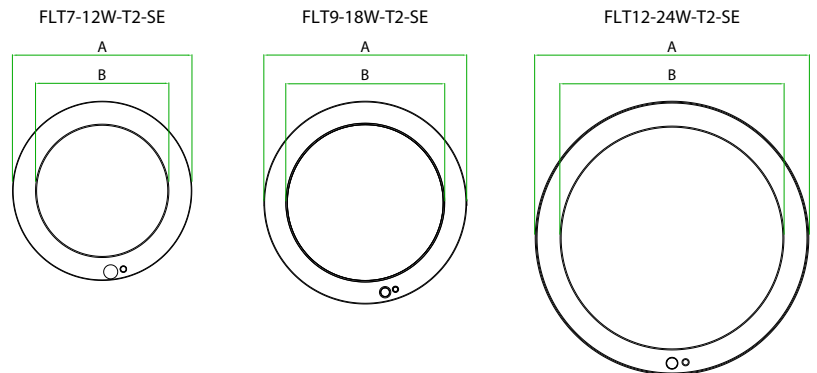
LUMEN CHART

Model#	Rated Power(W)	CCT	2700K			3000K			3500K			4000K			5000K		
			Wattage (W)	Lumens (LM)	Efficacy (LM/W)	Wattage (W)	Lumens (LM)	Efficacy (LM/W)	Wattage (W)	Lumens (LM)	Efficacy (LM/W)	Wattage (W)	Lumens (LM)	Efficacy (LM/W)	Wattage (W)	Lumens (LM)	Efficacy (LM/W)
FLT5-8W-T2	8	5-step CCT Select	8	429	54.7	8	455	57.6	8	459	58.1	8	453	57.6	8	446	56.9
FLT7-12W-T2	12		12	687	56.8	12	710	58.5	12	746	61.0	12	752	61.8	12	732	60.6
FLT9-18W-T2	18		18	1,015	57.5	18	1,072	60.1	18	1,142	62.8	18	1,133	62.8	18	1,060	59.7
FLT12-24W-T2	24		24	2,074	86.0	24	2,116	88.8	23	2,210	95.0	23	2,225	94.9	24	2,178	91.6

PHYSICAL SPECIFICATIONS

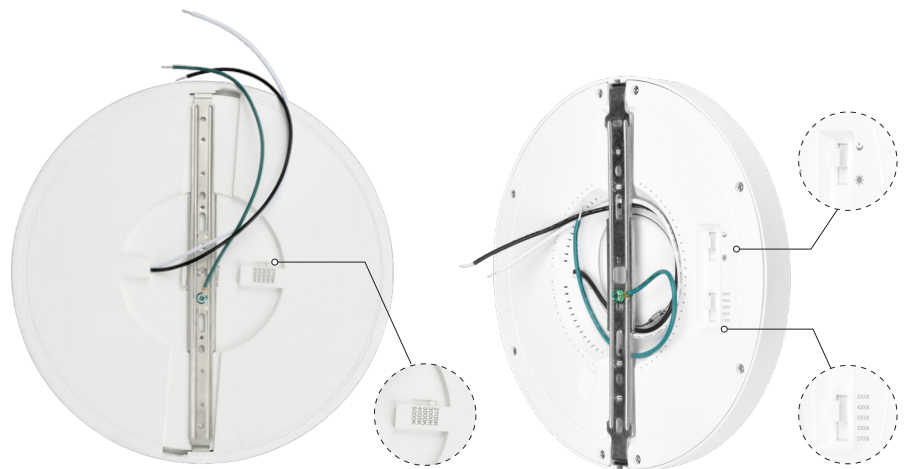


Model Number	A	B	DIAMETER
FLT5-8W-T2	5.3"	3.7"	0.5"
FLT7-12W-T2	7.1"	5.5"	0.5"
FLT9-18W-T2	8.9"	7.2"	0.5"
FLT12-24W-T2	11.8"	10.2"	0.5"
FLT7-12W-T2-SE	6.5"	4.8"	0.8"
FLT9-18W-T2-SE	8.9"	6.9"	0.8"
FLT12-24W-T2-SE	12.1"	9.8"	0.9"



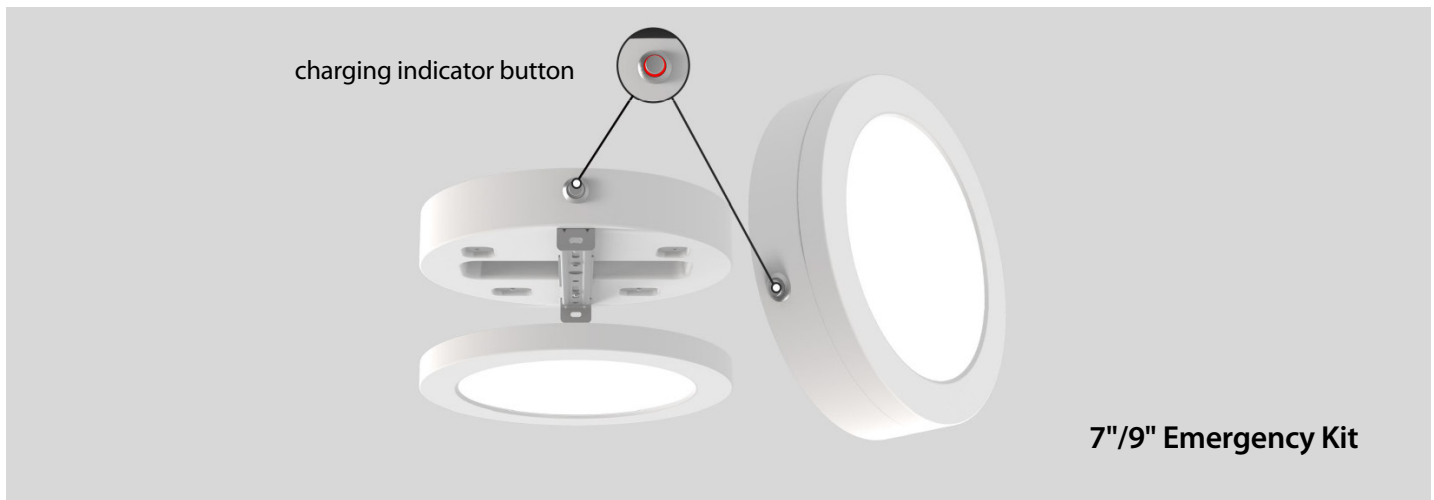
RECOMMENDED DIMMER LIST

Brand	Model	Match Level
Lutron	PD-6WCL-WH	☆☆☆☆☆
Lutron	CTCL-153P-WH	☆☆☆☆☆
Lutron	MACL-153MR-WH	☆☆☆☆☆
Lutron	SCL-153P-WH	☆☆☆☆☆
Lutron	MSCL-OP153M-WH	☆☆☆☆
Lutron	DVCL-153P-WH	☆☆☆☆
Leviton	6672-1LW	☆☆☆☆☆
Leviton	DSL06-1LZ	☆☆☆
Leviton	6674-P0W	☆☆☆
Lutron	DVW-603PGH-WH	☆☆
Leviton	IPL06-10Z	☆☆
Lutron	S-600P	☆



Standard 5-step CCT Select

5-step CCT Select with PIR sensor



EMERGENCY BACKUP KIT

ATG CODE	MODEL NUMBER	DESCRIPTION
EM7	EM-FLT7-12W120	Emergency Driver Set for 7" Flint, with mounting kit, for 90 mins emergency operation
EM9	EM-FLT9-12W120	Emergency Driver Set for 9" Flint, with mounting kit, for 90 mins emergency operation

QUICK ORDERING GUIDE

✓	Part Number	Description	QUICK SHIPPING
	FLT5-8W-T2	FLINT Ceiling Flush Mount, 5",8W,120VAC, 2700K/3000K/3500K/4000K/5000K SELECT, Triac-dimming	✓
	FLT7-12W-T2	FLINT Ceiling Flush Mount, 7",12W,120VAC, 2700K/3000K/3500K/4000K/5000K SELECT, Triac-dimming	✓
	FLT7-12W-T2-SE	FLINT Ceiling Flush Mount, 7",12W,120VAC, 2700K/3000K/3500K/4000K/5000K SELECT, Non-dimmable, with Integrated Sensor	✓
	FLT12-24W-T2	FLINT Ceiling Flush Mount, 12",24W,120VAC, 2700K/3000K/3500K/4000K/5000K SELECT, Triac-dimming	✓
	FLT12-24W-T2-SE	FLINT Ceiling Flush Mount, 12",24W,120VAC, 2700K/3000K/3500K/4000K/5000K SELECT, Non-dimmable, with Integrated Sensor	✓
	FLT9-18W-T2	FLINT Ceiling Flush Mount, 9",18W,120VAC, 2700K/3000K/3500K/4000K/5000K SELECT, Triac-dimming	✓
	FLT9-18W-T2-SE	FLINT Ceiling Flush Mount, 9",18W,120VAC, 2700K/3000K/3500K/4000K/5000K SELECT, Non-dimmable, with Integrated Sensor	✓
	EM-FLT7-12W120	Emergency Driver Set for 7" Flint, Input: 120VAC, Emergency Output: 12W, Emergency Time: 90 mins	✓
	EM-FLT9-12W120	Emergency Driver Set for 9" Flint, Input: 120VAC, Emergency Output: 12W, Emergency Time: 90 mins	✓