



## DESCRIPTION

### Construction

- Steel housing provides durability and fire resistance
- Edge-lit technology allows for extremely thin fixture depth
- Off-board driver minimizes installation height and maximizes fixture life

### Optical System

- Precision engineered optical stack creates uniform light distribution
- 2700K/3000K/3500K/4000K/5000K 5-step CCT selectable
- Utilizes high performing LEDs with 90+ CRI and an R9>60

### Electrical

- Input voltage of 120VAC, 60Hz
- Operating temperature rating of -4°F(-20°C) to 113°F(45°C)
- Dimmable to 5% with TRIAC dimmers
- Available with all-in-one emergency backup unit

### Finish

- White powder coat finish trim
- Red powder coat finish backside to denote fire resistance

### Mounting & Installation

- Spring-loaded retention tabs allow for easy installation into ceilings
- Remote driver/junction box
- Cut-out template and quick connectors included

### Warranty

- 5-year limited warranty
- L70 calculated lifetime >100,000 hrs

### Listings

- UL 1598 listed for wet locations
- UL 263 certified for 2hr fire resistance
- EnergyStar Listed
- CA Title 24 compliant
- Certified for direct contact with insulation (IC-rated)
- RoHS compliant: Free from harmful and hazardous materials

## APPLICATIONS

- Multi-Residential (Dorms/Apartments)
- Classroom
- Office
- Reception/Lobby
- Restrooms
- Retail
- Dr. Offices/Waiting/Patient Rooms
- Library
- Meeting rooms
- Dining/Cafeteria
- Airports
- Automotive Dealerships
- Hallways
- Stairwells

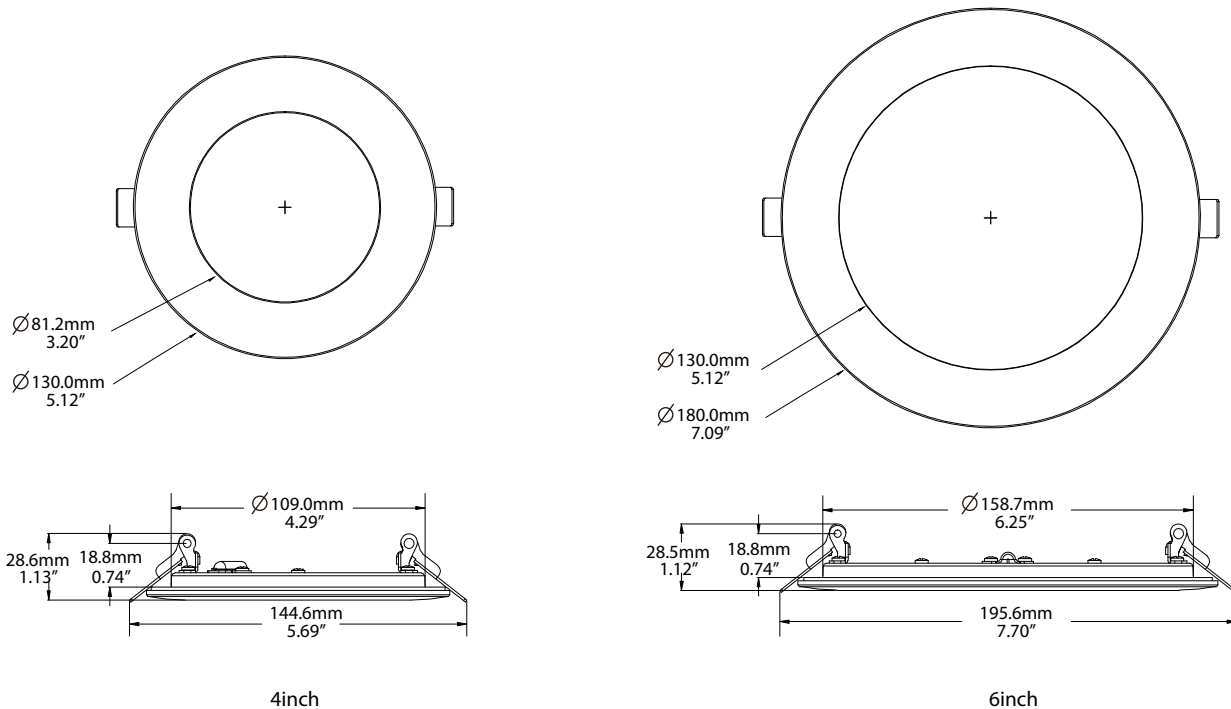
## ORDER FORMAT

Series	Wattage	CCT	Voltage	Dimming
EDF4= 4" Fire Rated Downlight	9= 9W	T1= 2700K/3000K/3500K 4000K/5000K Select	Blank= 120V	Blank= TRIAC Dimming
EDF6= 6" Fire Rated Downlight	12= 12W 15= 12W			

## Lumen Chart

Model Number	Wattage	CCT	CRI	2700K		3000K		3500K		4000K		5000K	
				Efficacy	Lumens	Efficacy	Lumens	Efficacy	Lumens	Efficacy	Lumens	Efficacy	Lumens
EDF4-9-T1	9W	2700K/3000K/3500K 4000K/5000K Select	90	77	697	78	691	84	733	92	788	89	804
EDF4-12-T1	12W			77	924	78	936	84	1,008	92	1,104	89	1,068
EDF6-12-T1	12W			91	1,086	93	1,085	103	1,173	110	1,271	108	1,289
EDF6-15-T1	15W			91	1,365	93	1,395	103	1,545	110	1,650	108	1620

## PHYSICAL SPECIFICATIONS



## RECOMMENDED DIMMERS

### LUTRON

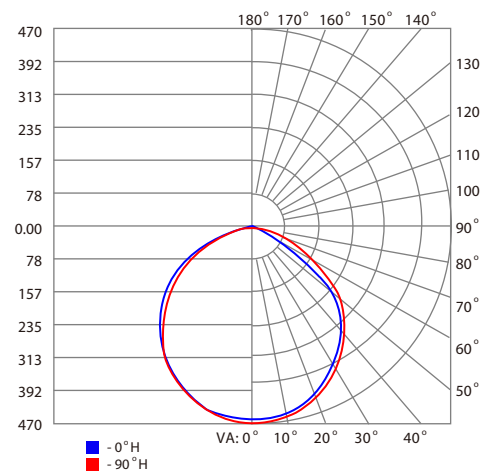
- TG-600PR-WH
- TGCL-153PH-LA
- SCL-153PH-WH
- MSCL-OP153M
- S-600PR-WH
- SLV-600P-AL
- GT-600P
- MACL-153M/MA-R
- CTCL-153PDH-WH
- DV-600PR-WH
- DVCL-153P
- PD-6WCL

### LEVITON

- 6672
- 6674
- RNL06
- DSL06
- IPL06

## PHOTOMETRIC SPECIFICATIONS

### POLA CANDELA DISTRIBUTION



<b>Model</b>	EDF6-12-T1
<b>CCT</b>	4000K
<b>Input Wattage</b>	11.6W
<b>Light Output</b>	1271.4LM