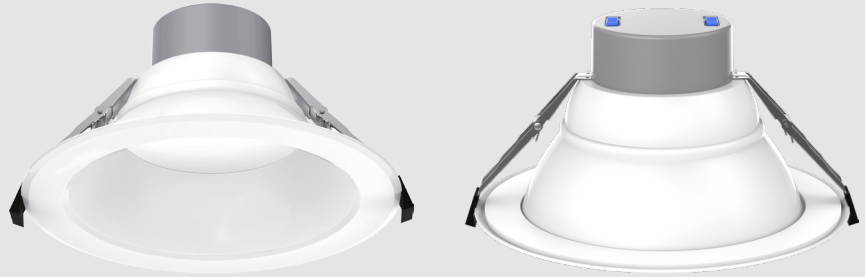


DR8T

**8" DUO SELECTABLE RETROFIT
DOWNLIGHT**

DR8T 8" DUO SELECTABLE RETROFIT DOWNLIGHT



DESCRIPTION

8" Retrofit Downlight / Power & CCT Selectable / 0-10V Dimming / 120-277Vac Input



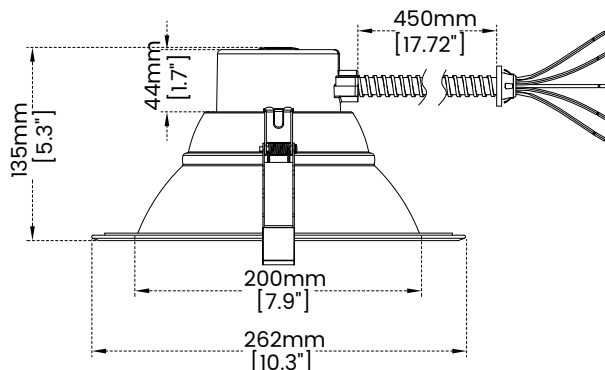
PRODUCT FEATURES

- Power Selectable: Adjust wattage between 16W / 22W / 26W / 30W / 35W
- CCT Selectable: Adjust CCT between 2700K / 3000K / 3500K / 4000K / 5000K
- Ambient operating temperature: -4°F (-20°C) to 104°F (40°C)
- PF > 0.9, THD < 20%
- 0-10V dimming
- Goof Ring and New Construction Plate available, sold separately
- Emergency Battery Backup available, sold separately
- L70 Lifetime > 50,000 Hrs

PRODUCT SPECIFICATIONS

Model Number	Input Voltage	CRI	Wattage (W)	Efficacy (LM/W)	Lumens (LM)
DR8T-35-T2-G2	120-277V	>80	16	100	1,600
			22		2,200
			26		2,600
			30		3,000
			35		3,500

PRODUCT DIMENSION



DR8T 8" DUO SELECTABLE RETROFIT DOWNLIGHT

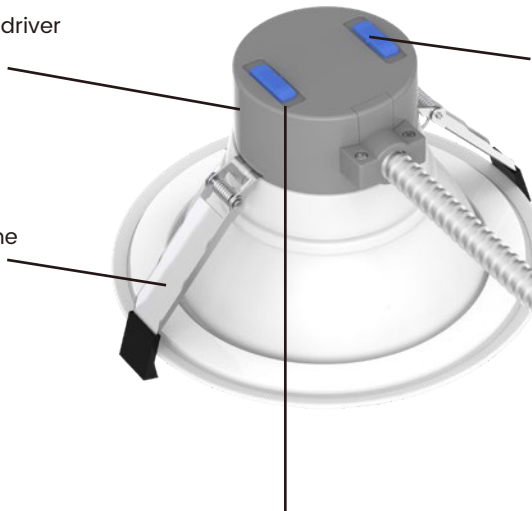
FEATURES

- Front IP54
- Aluminum lamp body
- Deep reflector design
- Low glare



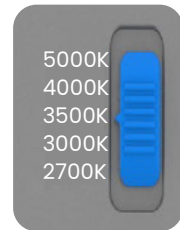
Power Box

- PC material
- Internal flicker free driver
- 0-10V dimming



COLOR SELECT ADJUSTMENT SWITCH

Set dip switch to adjust CCT between 2700K, 3000K, 3500K, 4000K, and 5000K.



Spring installation

Can be installed in the junction box or can.

POWER SELECT ADJUSTMENT SWITCH
Set dip switch to adjust wattage between 16W, 22W, 26W, 30W and 35W.



Flexible steel conduit with 1/2" KO (3/8" Trade Size) snap in connector.

ACCESSORIES



GR-DR4-G2
Goof Ring 4"



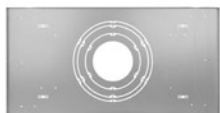
GR-DR6-G2
Goof Ring 6"



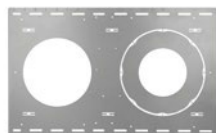
GR-DR8-G2
Goof Ring 8"



GR-DR10-G2
Goof Ring 10"



NCP-DR-G2-TG
New Construction or Remodel
Plate for T-grid Ceilings



NCP-DR-G2-SJ
New Construction Plate
for Stud/Joist Ceilings



Safety Lanyard



EMW2-08170DI-HY