

DESCRIPTION

Construction

- Steel housing provides durability and fire resistance
- Edge-lit technology allows for extremely thin fixture depth
- Off-board driver minimizes installation height and maximizes fixture life

Optical System

- Precision engineered optical stack creates uniform light distribution
- 2700K/3000K/3500K/4000K/5000K 5-step CCT selectable
- Utilizes high performing LEDs with 90+ CRI and an R9>60

Electrical

- Input voltage of 120VAC, 60Hz
- Operating temperature rating of -4°C(-20°C) to 113°F(45°C)
- Dimmable to 5% with TRIAC dimmers

Finish

- White powder coat finish trim
- Red powder coat finish backside to denote fire resistance

Mounting & Installation

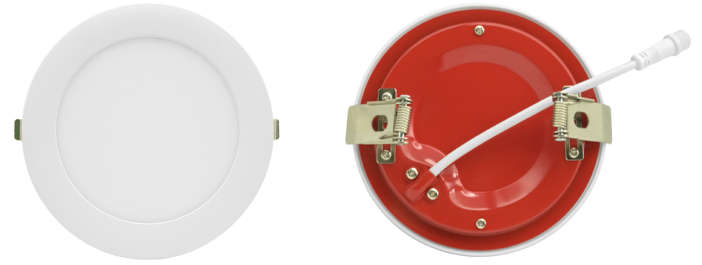
- Spring-loaded retention tabs allow for easy installation into ceilings
- Remote driver/junction box
- Cut-out template and quick connectors included

Warranty

- 5-year limited warranty
- L70 calculated lifetime >100,000 hrs

Listings

- UL 1598 listed for wet locations
- UL 263 certified for 2hr fire resistance
- EnergyStar Listed(pending)
- CA Title 24 compliant
- Certified for direct contact with insulation (IC-rated)
- RoHS compliant: Free from harmful and hazardous materials



APPLICATIONS

- Multi-Residential (Dorms/Apartments)
- Classroom
- Office
- Reception/Lobby
- Restrooms
- Retail
- Dr. Offices/Waiting/Patient Rooms
- Library
- Meeting rooms
- Dining/Cafeteria
- Airports
- Automotive Dealerships
- Hallways
- Stairwells

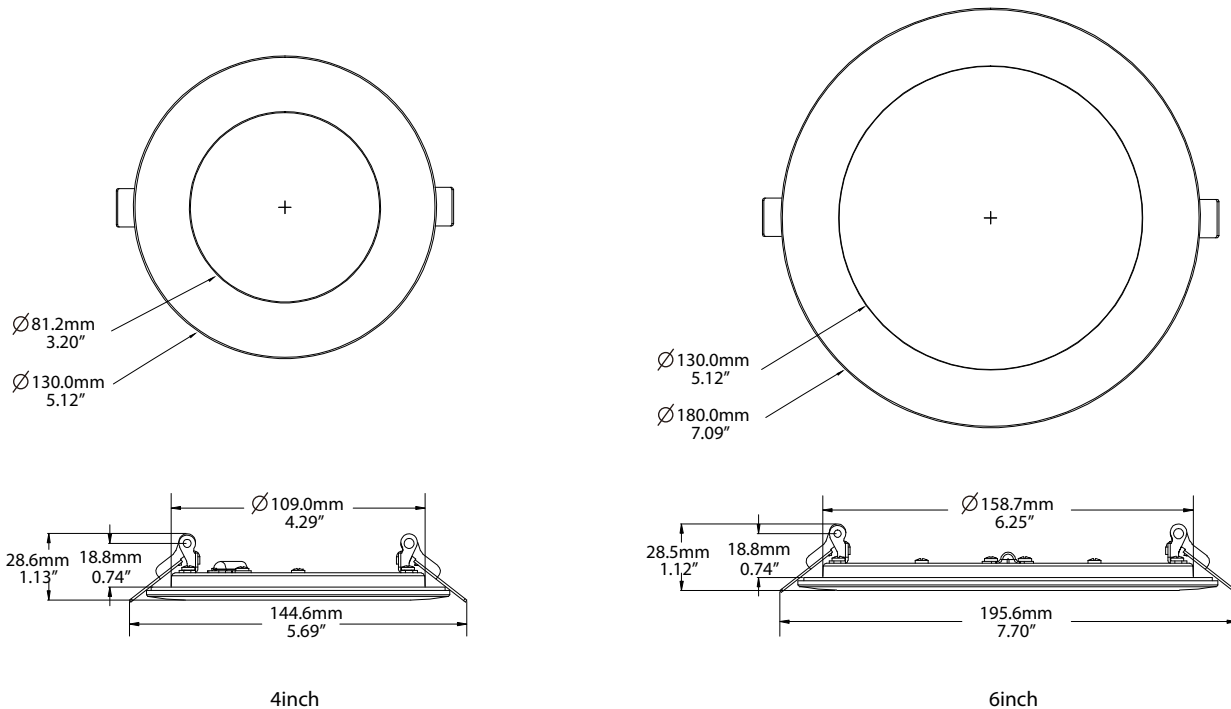
ORDER FORMAT

Series	Wattage	CCT	Voltage	Dimming
EDF4= 4" Fire Rated Downlight	9= 9W	T1= 2700K/3000K/3500K 4000K/5000K Select	Blank= 120V	Blank= TRIAC Dimming
EDF6= 6" Fire Rated Downlight	12= 12W 15= 15W			

Lumen Chart

Model Number	Wattage	CCT	CRI	2700K		3000K		3500K		4000K		5000K	
				Efficacy	Lumens	Efficacy	Lumens	Efficacy	Lumens	Efficacy	Lumens	Efficacy	Lumens
EDF4-9-T1	9W	2700K/3000K/3500K 4000K/5000K Select	90	77	697	78	691	84	733	92	788	89	804
EDF4-12-T1	12W			77	924	78	936	84	1008	92	1104	89	1068
EDF6-12-T1	12W			91	1086	93	1085	103	1173	110	1271	108	1289
EDF6-15-T1	15W			91	1365	93	1395	103	1545	110	1650	108	1620

PHYSICAL SPECIFICATIONS



RECOMMENDED DIMMERS

LUTRON

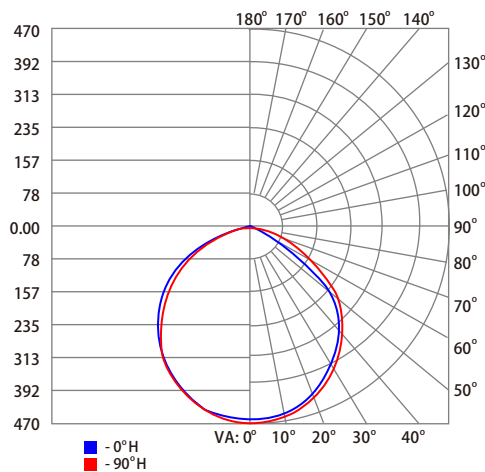
- TG-600PR-WH
- TGCL-153PH-LA
- SCL-153PH-WH
- MSCL-OP153M
- S-600PR-WH
- SLV-600P-AL
- GT-600P
- MACL-153M/MA-R
- CTCL-153PDH-WH
- DV-600PR-WH
- DVCL-153P
- PD-6WCL

LEVITON

- 6672
- 6674
- RNL06
- DSL06
- IPL06

PHOTOMETRIC SPECIFICATIONS

POLA CANDELA DISTRIBUTION



Model	EDF6-12-T1
CCT	4000K
Input Wattage	11.6W
Light Output	1271.4LM