

Keilton + autani

FA102 Series Integrated Fixture Adapter



FA102

Description

The FA102 Integrated Fixture Adapter enables Luminaire Level Lighting Control (LLLC) capabilities in a miniature design with integrated “sensor-ready” functionality. It is powered by 12VDC input from dimmable dim-to-off LED drivers and provides connectivity to non-Bluetooth, eco-sensors.

Features

- 12VDC input
- Integral Bluetooth module
- Designed for integration into luminaires to provide luminaire level lighting control (LLLC)
- Sensor-ready attachment port for Keilton+autani Eco Sensors
- 0-10V output

Requirements

- Requires both a CC (sensor) and FC (fixture) cable. Not included.
- Eco Sensor (see Eco Sensor Specification Sheet)

Specifications

Input Voltage	DC 12V
Input Current	45mA Max
Input Power	0.5W
Output Voltage	DC 10V
Output Current	10mA Max
Output Power	0.1W
Dimming	Class 2, 0-10V DC 10mA Max
Sinking Current	10mA Max
Bluetooth Transmit	200ft Max
Radio Frequency	2.4GHz ± 75MHz
Bluetooth Version	5.0
Housing Material	UL 94-V0
Indoor/Outdoor Use	Indoor
Operating Temperature	-30°C to 55°C, -22°F to 131°F
Storage Temperature	-30°C to 85°C, -22°F to 185°F
IP Rating	IP20
Color	White
Warranty	5 year warranty
Compliance	UL8750, UL1376, RoHs
Safety	cULus Recognized Component LED Controller E504054 FCC ID: 2A26YLTKTVT2021 DID: D057145 DLC: NLTRC5KLOTN

Ordering Information

Model	Eco Sensor Model	Sensor Input	Dual 0-10V (CCT Tunable)	CC30/60/120 ECO CONNECTOR**	FC30/60 Adaptor Connector***
FA102.B2	MWS105E.A0	Microwave****		X	X
FA102.C2	IFS105E.A0 IFS108E.A0	PIR, DLH*	X	X	X

* DLH - Daylight Harvesting (DLH)

** CC30/60/120 ECO cable connector - Used to plug ECO Sense family of sensors into FA102 Adaptor

***FC30/60 cable connector from FA102 Adaptor to driver

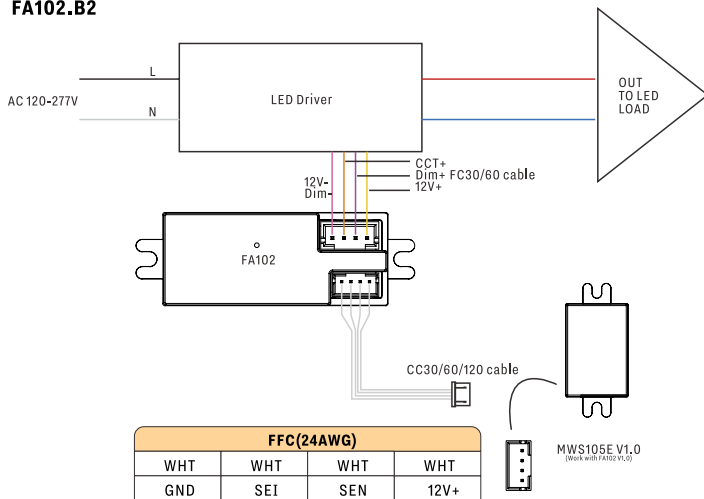
****Adjustable sensitivity

Accessory Ordering Information

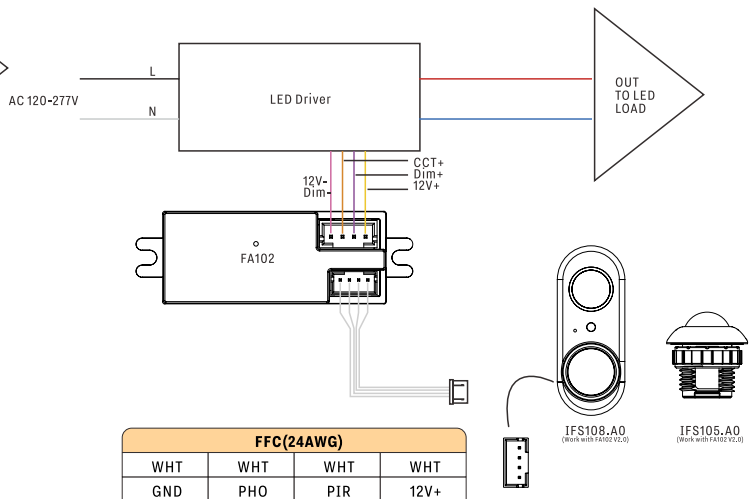
Model	Description
CC30	2468 24AWG white 300V 80°C Length:300mm, PH2.0-4P on both side cable between adaptor and sensor
CC60	2468 24AWG white 300V 80°C Length:600mm, PH2.0-4P on both side cable between adaptor and sensor
CC120	2468 24AWG white 300V 80°C Length:1200mm, PH2.0-4P on both side cable between adaptor and sensor
FC30	1007 22AWG white 300V 80°C Length:300mm, XH2.54-4P on left side cable (to FA102), dip tin 10mm on right side (to LED driver)
FC60	1007 22AWG white 300V 80°C Length:600mm, XH2.54-4P on left side cable (to FA102), dip tin 10mm on right side (to LED driver)
MWS105E.A0	Microwave sensor, adjustable sensitivity
IFS105E.A0	PIR, DLH sensor
IFS108E.A0	PIR, DLH sensor

Wiring

FA102.B2



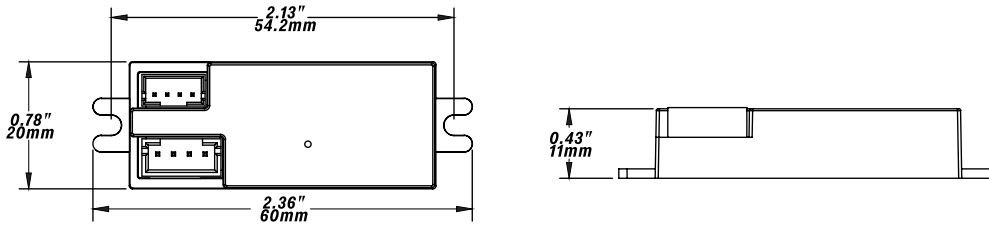
FA102.C2



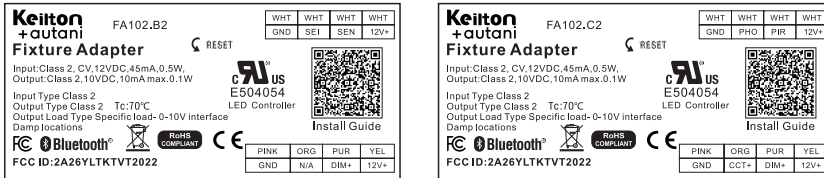
Dimensions

Unit:inch/mm

FA102



Product Label



The Bluetooth word mark and logos are registered trademarks owned by Bluetooth SIG, Inc. and any use of such marks by LiteTrace is under license. Other trademarks and trade names are those of their respective owners.

App Download



Due to our continued efforts to improve our products, specifications are subject to change without notice.

Contact Us

7090 Columbia Gateway Drive, Suite 140, Columbia, MD 21046, USA

T: +1 443-320-2233 (M-F 9am-5pm ET)

E: support@autani.com