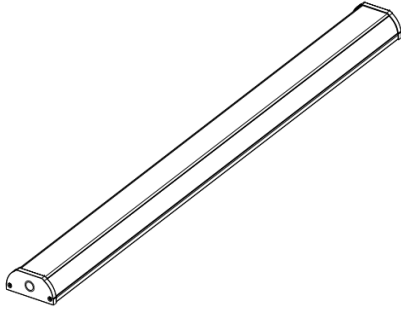
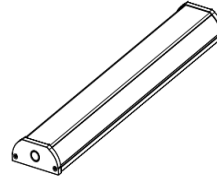


LSD INSTALLATION INSTRUCTIONS



LSD-4FT



LSD-2FT

WARNING: Make certain power is OFF before installing or maintaining fixture. No user serviceable parts inside.

SURFACE MOUNTING

The fixture is suitable for ceiling or wall mount.

1. Use appropriate mounting hardware (not supplied) to secure the **Snap On Brackets** to mounting surface. Refer to recommended **Snap On Bracket** in **Fig. 2** for LSD 2FT and in **Fig3.** for LSD 4FT.

2. Pull supply wires through the outlet, use correct UL-rated wire connectors as required by the National Electric Code to make electrical splices to fixture leads. See Fig.1

WARNING: To prevent wiring damage or abrasion, do not expose wiring to edges of sharp objects.

3. For conduit mounting drill out End Cap or 1/2" knock-out hole on the cover, connect conduit.

4. Snap **Housing** on **Snap On Brackets** as shown in **Fig. 4.**

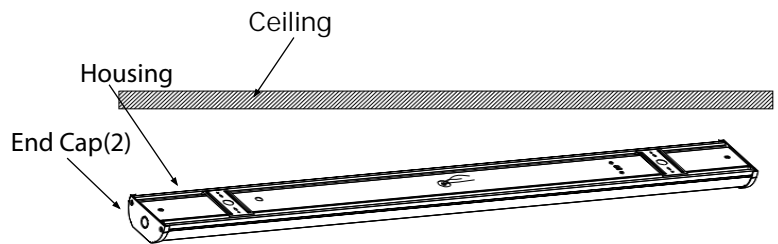


Fig.1

Mounting Hardware
(provided by others)

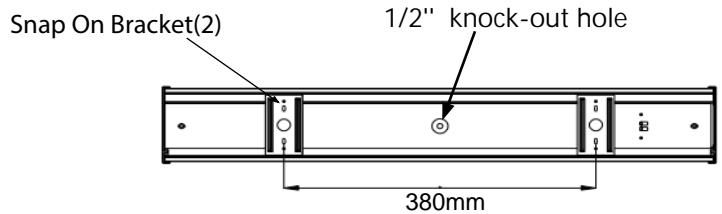


Fig.2 LSD 2FT

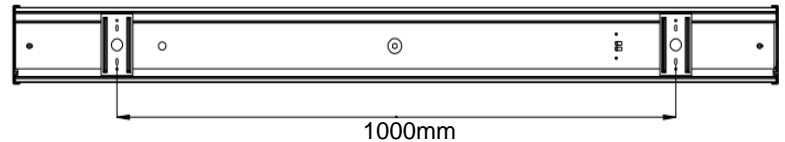


Fig.3 LSD 4FT

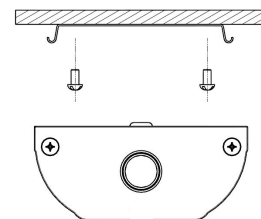


Fig.4 SURFACE MOUNTING

LSD INSTALLATION INSTRUCTIONS

V-HOOK MOUNTING

Suspend fixture to sturdy ceiling structure as follows:

1. Snap **Housing** on **Snap On Brackets**.
2. In order to use an alternate entry point for LSD 2FT&4FT, follow steps 2-3 under Surface Mounting section.
3. **V Hooks** (2) are provided for chain mounting. Loop **V-Hooks** through **Snap On Bracket** at back of **Housing** as in **Fig. 5**.
4. Connect to two (for LSD 2FT&4FT) equal lengths of chain (by others) and/or appropriate hardware (by others) suitable for mounting surface, to suspend Housing from V Hooks.
5. Fixture mounting height and spacing should be determined by application requirements. Use chain suitable to support four (4) times the weight of the fixture.

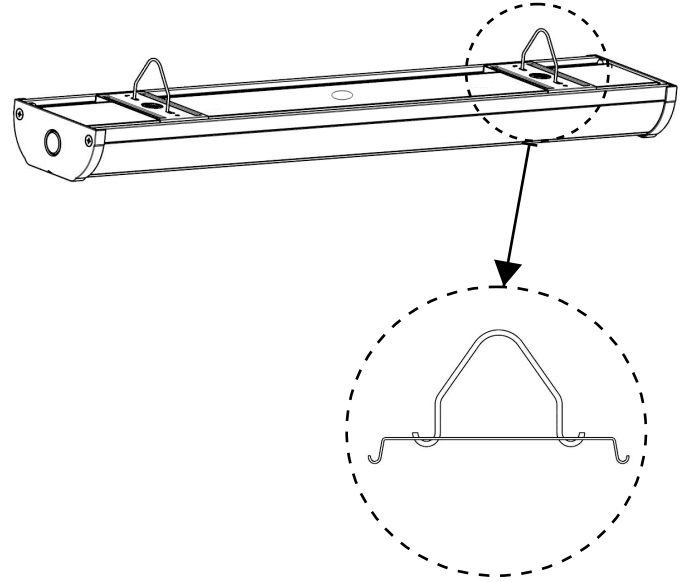


Fig.5 VHOOK MOUNTING

0-10V DIMMABLE WIRING

Universal voltage driver permits operation at 120V thru 277V, 50 or 60 Hz. For 0-10V Dimming, follow the wiring directions in **Fig. 6**.

1. Connect the black fixture lead to the LINE supply lead.
2. Connect the white fixture lead to the COMMON supply lead.
3. Connect the GROUND wire from fixture to supply ground.
4. Connect the purple fixture lead to the (V+) DIM lead.
5. Connect the gray fixture lead to the (V-) DIM lead.
6. NOTE: Do not connect DIM V+ (purple)/ DIM V-(pink) to line voltage or supply ground.

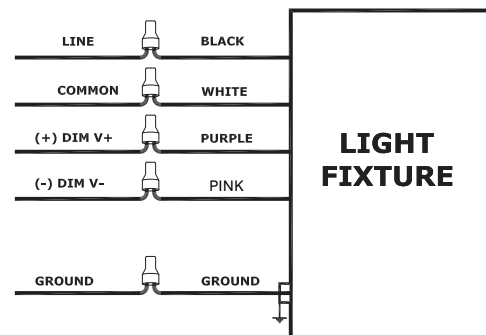


Fig. 6