

ESC04 Series



Edge Lit Emergency Exit Sign



ILLUMINATION

- Ultra-bright, energy efficient, long-lasting LEDs provide uniform illumination.
- UV stabilized, silk screened acrylic panels provide consistent, uniform illumination.
- Single or double face configurations.

ELECTRICAL

- 120/277VAC universal input voltage.
- Test switch and charge indicator.
- Built-in 3.6V 600mAh long-life, maintenance-free, rechargeable nickel cadmium battery for 180 minutes emergency operation.
- Fully automatic solid-state, two rate charger initiates battery charging to recharge a discharged battery in 24 hours.

MOUNTING

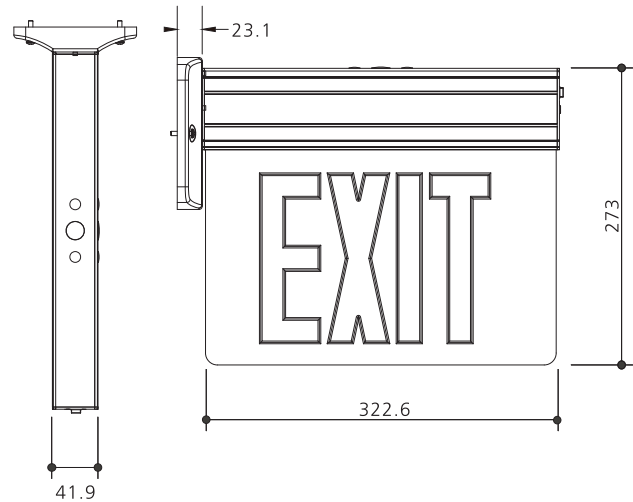
- Die-cast aluminum mounting canopy provided for universal top, end or back mount.
- Universal K/O pattern on back plate for wall mount.

HOUSING

- Premium-grade, aluminum housing.
- Directional indicators offered, can be easily removed.
- Clear, white, mirror plate offered. Contact sales team for stock info.

WARRANTY/LISTING

- Five years warranty on all electronics and housing. Three years for batteries.
- Meet UL924, local and state codes.
- UL listed for damp locations. 0°C(32°F) to 40°C(104°F) operation temperature.



Ordering Information

Examples: ESC04-D-C-R

Series	Number of Faces	Plate	Letter Color	Voltage
ESC04	- S=Single	- C=Clear	- G=Green	Blank=120/277VAC
	- D=Double	- W=White	- R=Red	
		- M=Mirror		