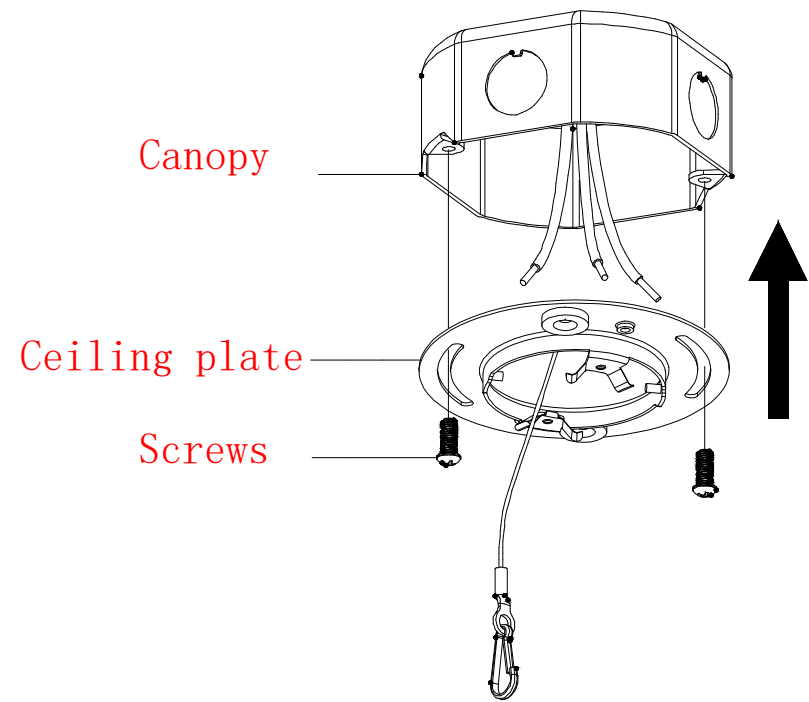
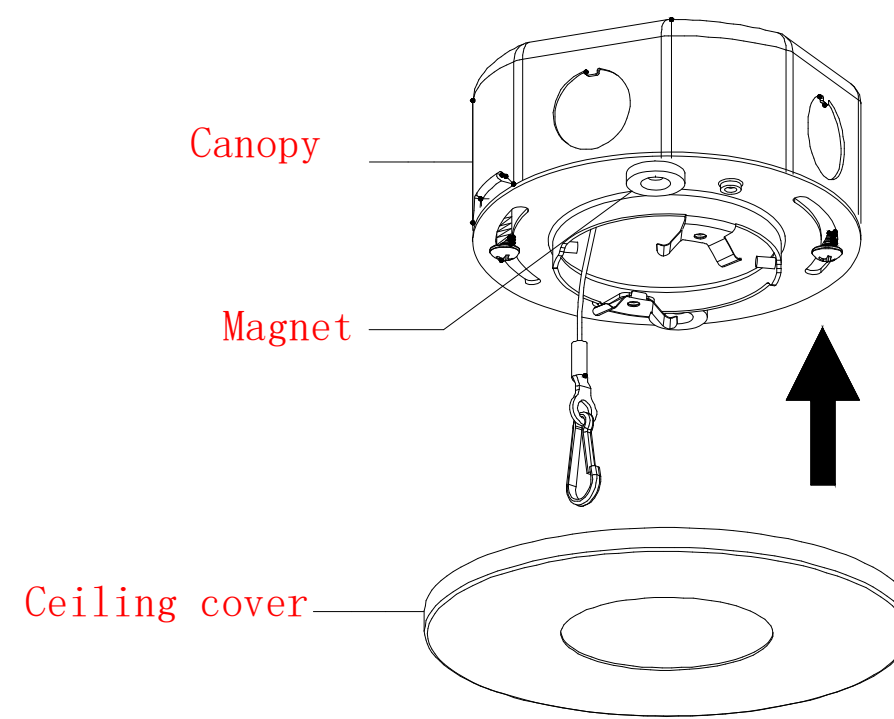


WARNING - RISK OF FIRE AND ELECTRICAL SHOCK. FIXTURE MUST BE INSTALLED BY A QUALIFIED ELECTRICIAN ONLY. FIXTURE IS INTENDED FOR INSTALLATION IN ACCORDANCE WITH THE NATIONAL ELECTRICAL CODE, LOCAL AND FEDERAL SPECIFICATIONS. DISCONNECT POWER AT ELECTRICAL PANEL BEFORE SERVICING. RETAIN THESE INSTRUCTIONS FOR MAINTENANCE REFERENCE.

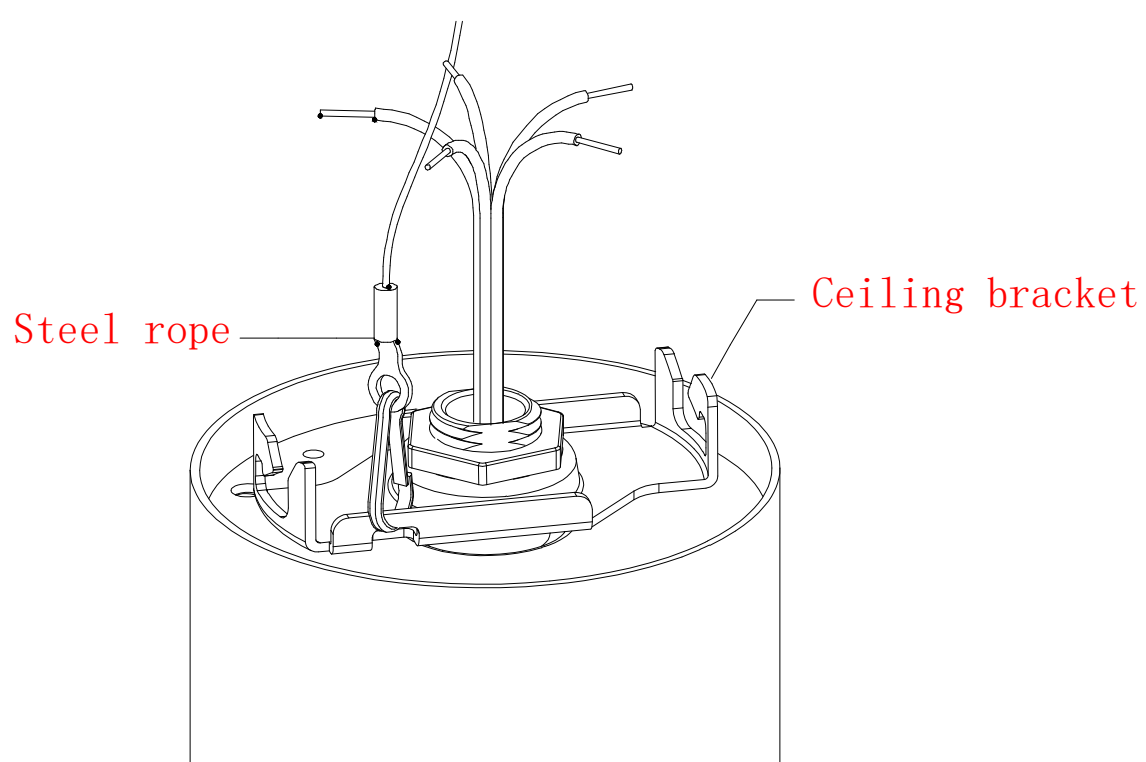
1. Fix the ceiling plate onto the canopy with screws.



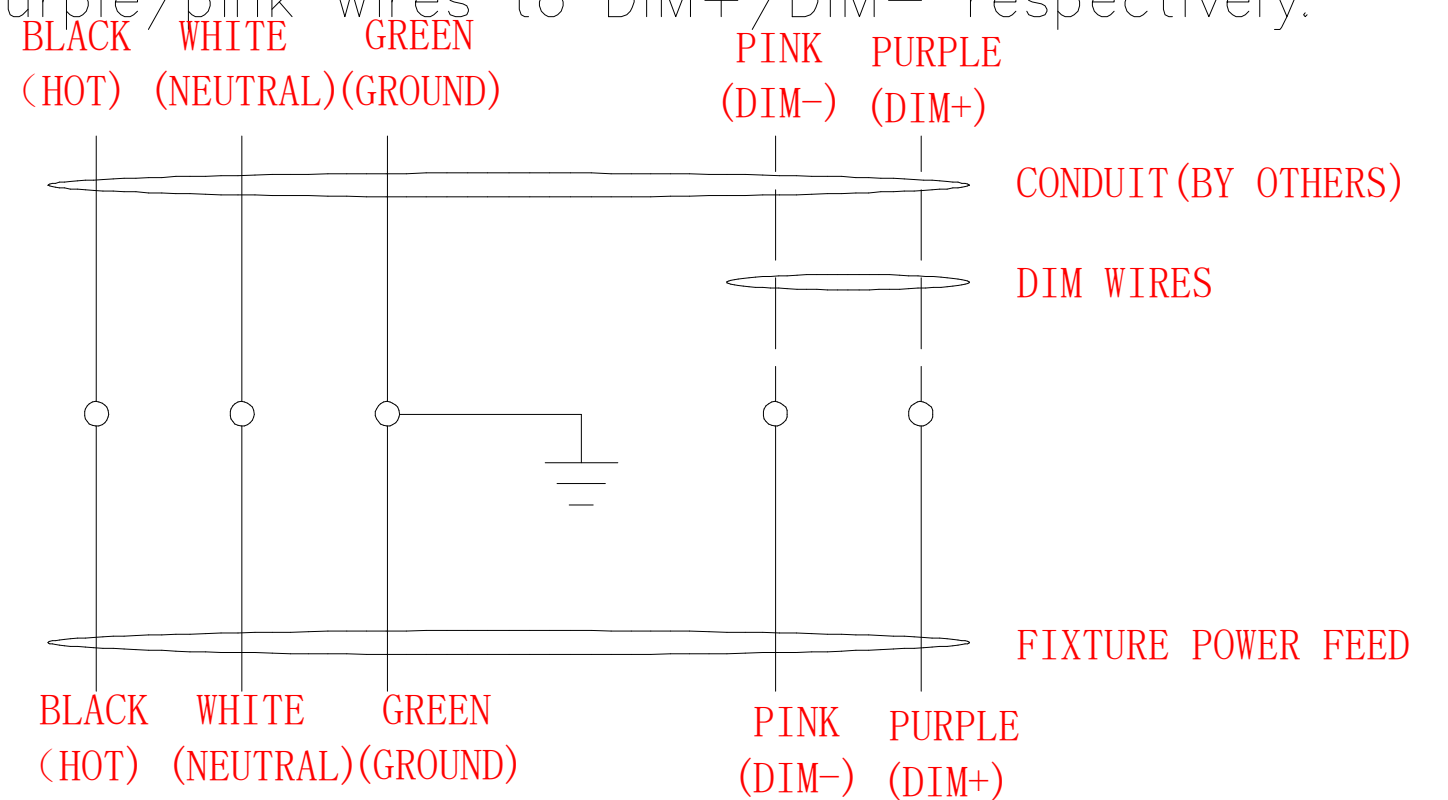
2. Secure the ceiling cover onto the canopy with the magnet.



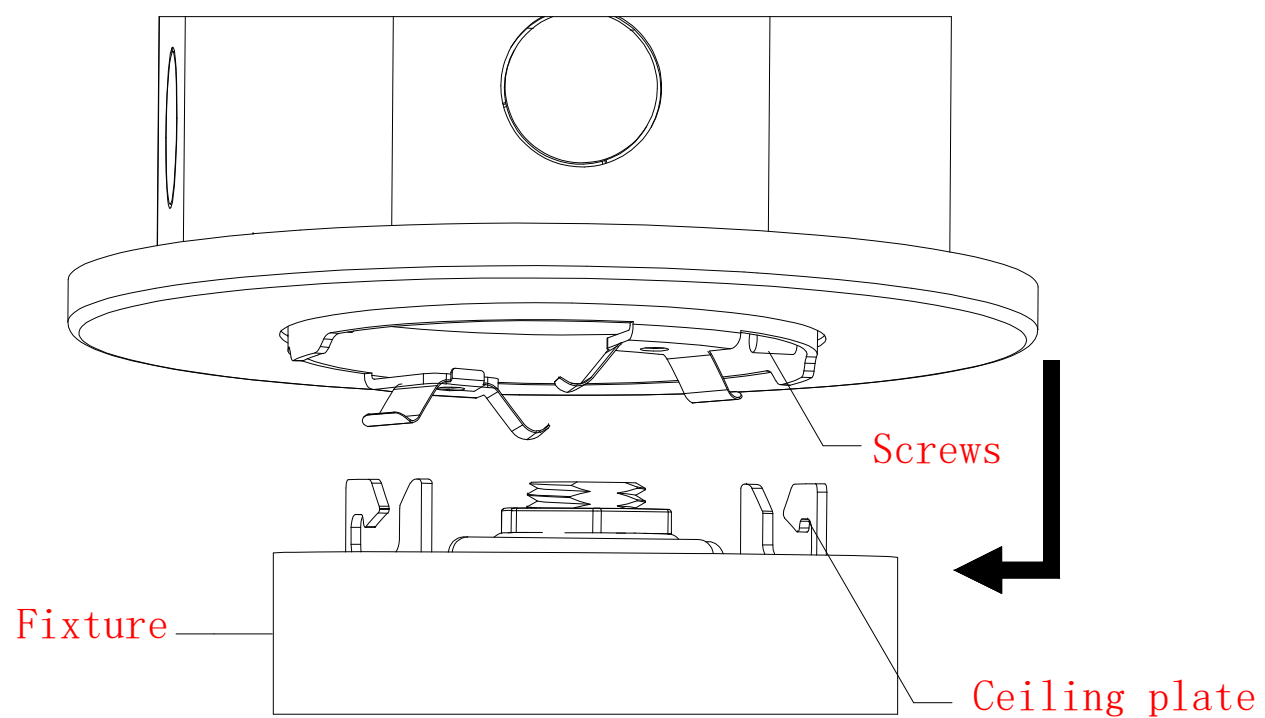
3. Mount the steel rope onto the ceiling bracket.



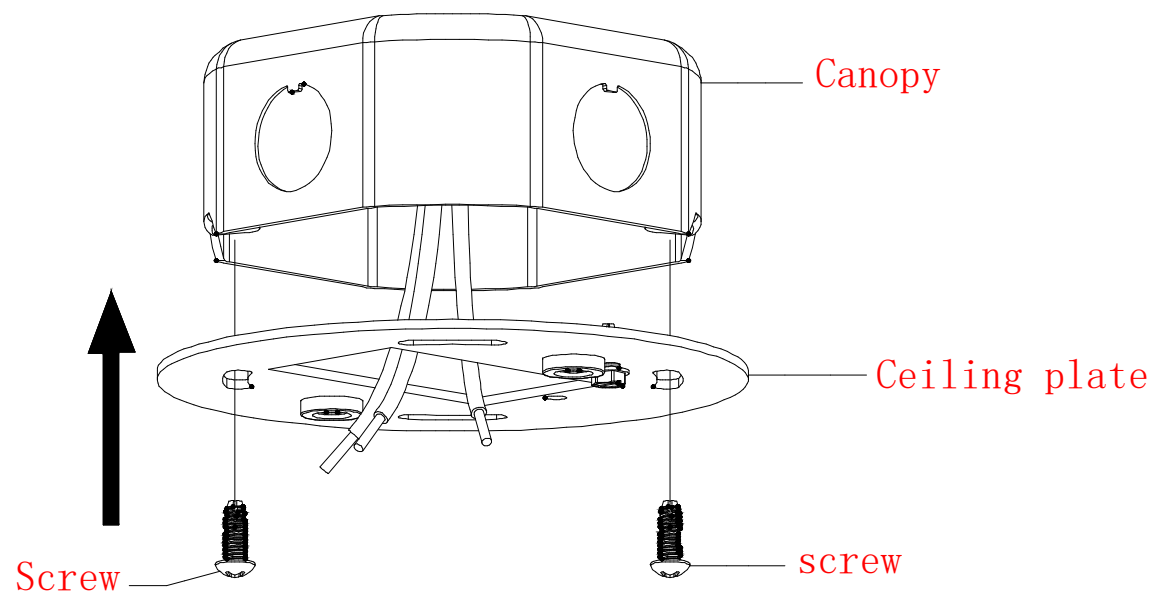
4. Wiring: connect the black/white/green wires to L/N/ground respectively, and connect the purple/pink wires to DIM+/DIM- respectively.



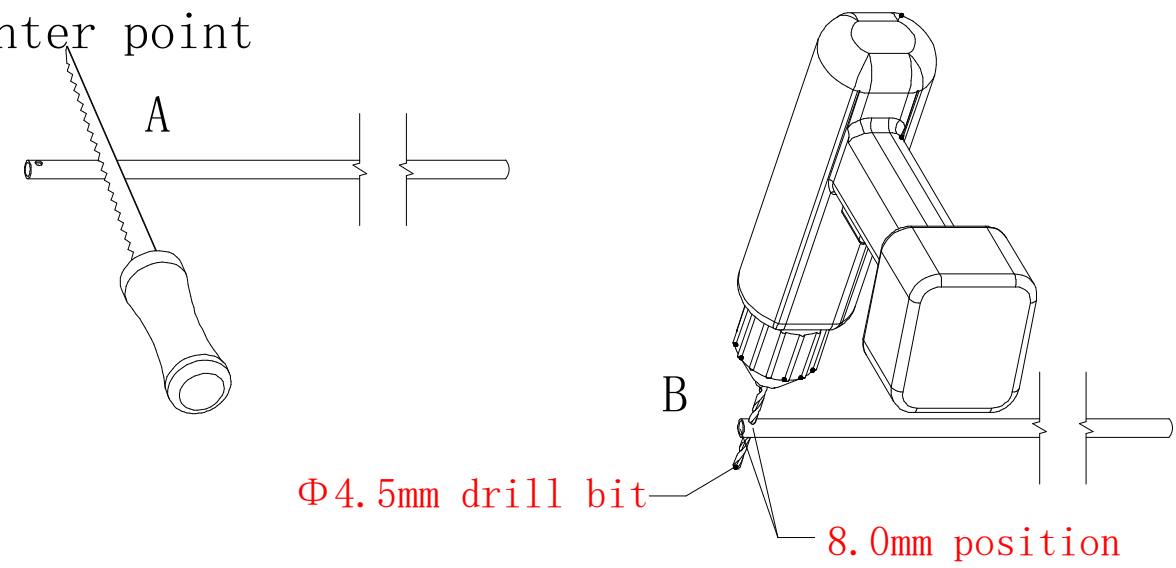
5. Fix the fixture onto the ceiling plate in the direction indicated by the arrow and tighten the screws on the fixture.



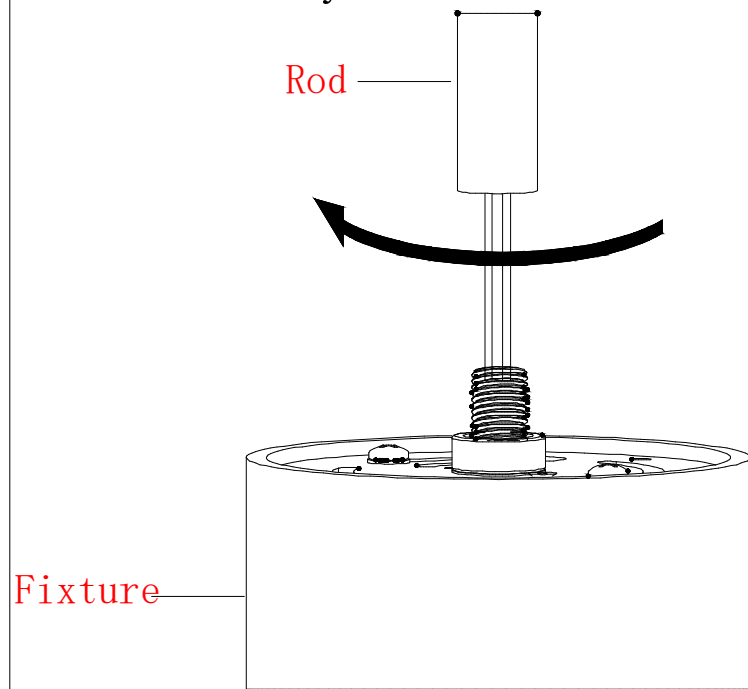
1、 Fix the ceiling plate onto the canopy with screws



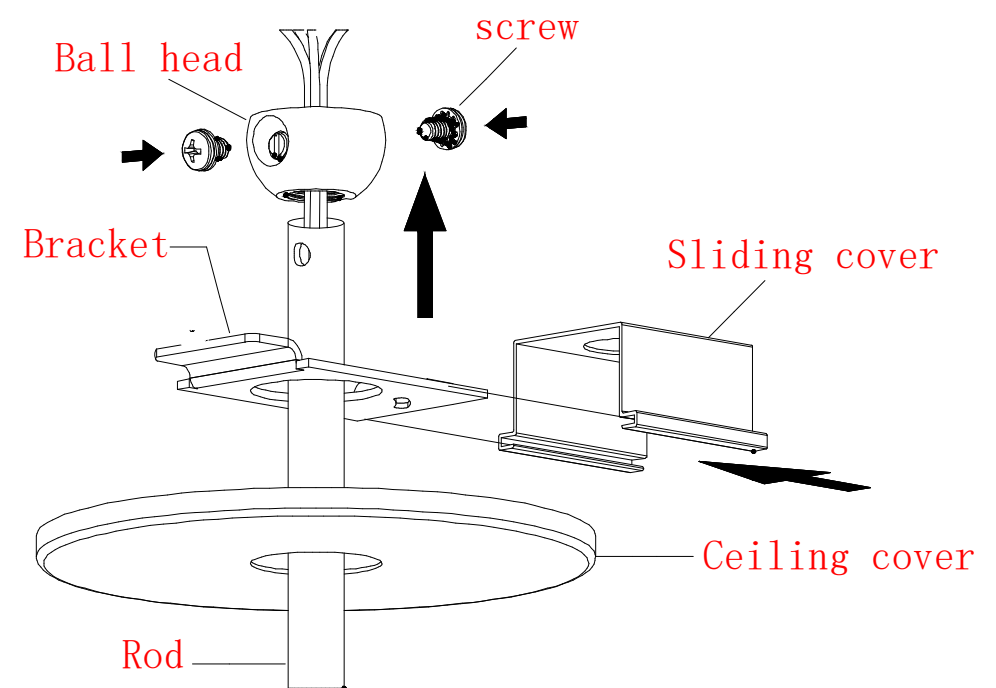
2、 Cut off the end of the rod with the hole, then drill a $\Phi 4.5\text{mm}$ diameter hole at a distance of 8mm from the end face of the rod, using it as the center point



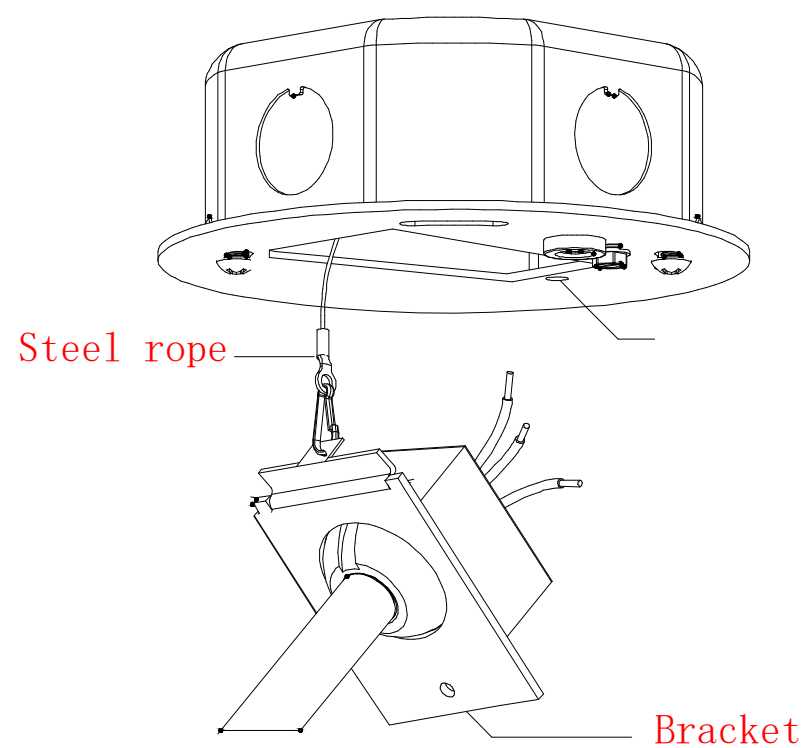
3、 Rotate the rod onto the fixture in the direction indicated by the arrow to secure it.



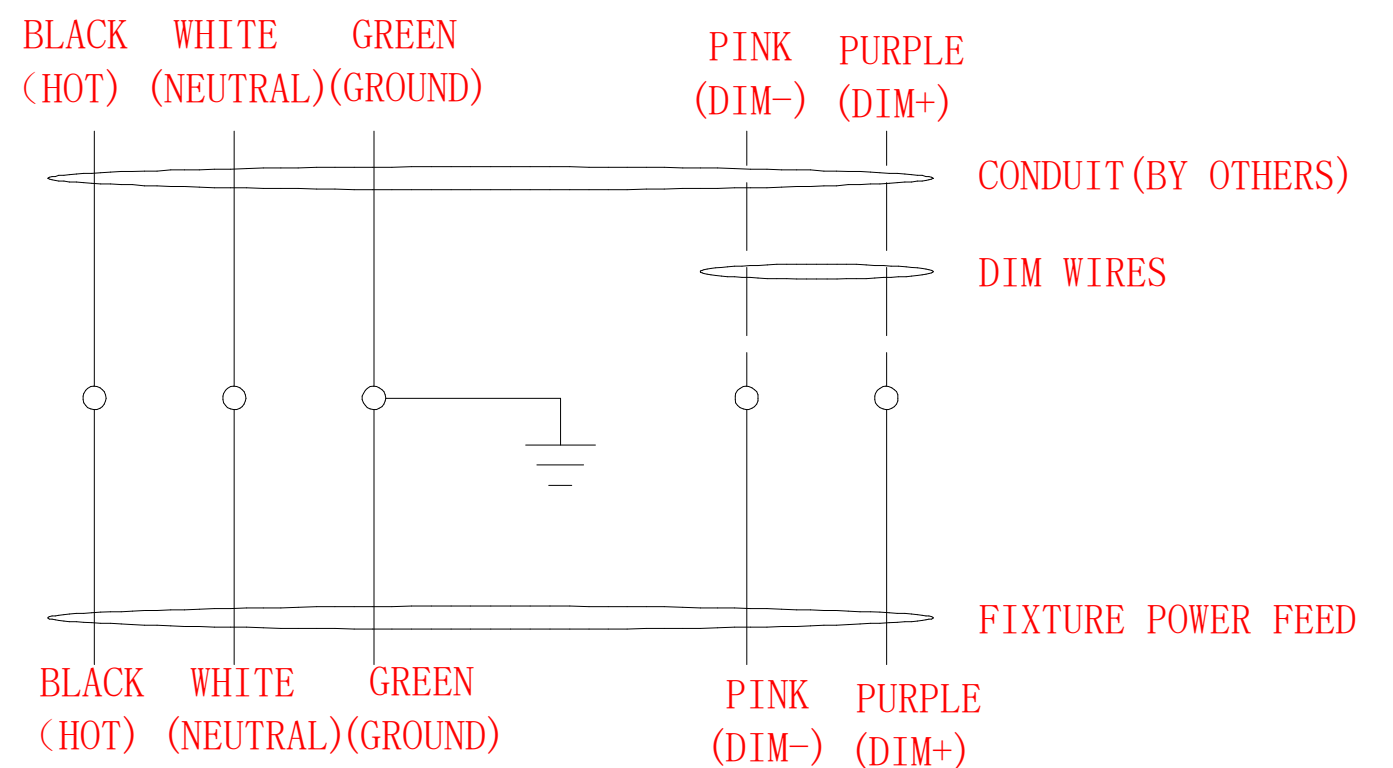
4、 Pass the ceiling cover and brackets through the rod in sequence, secure the ball head to the rod with a screw, and attach the sliding cover to the bracket



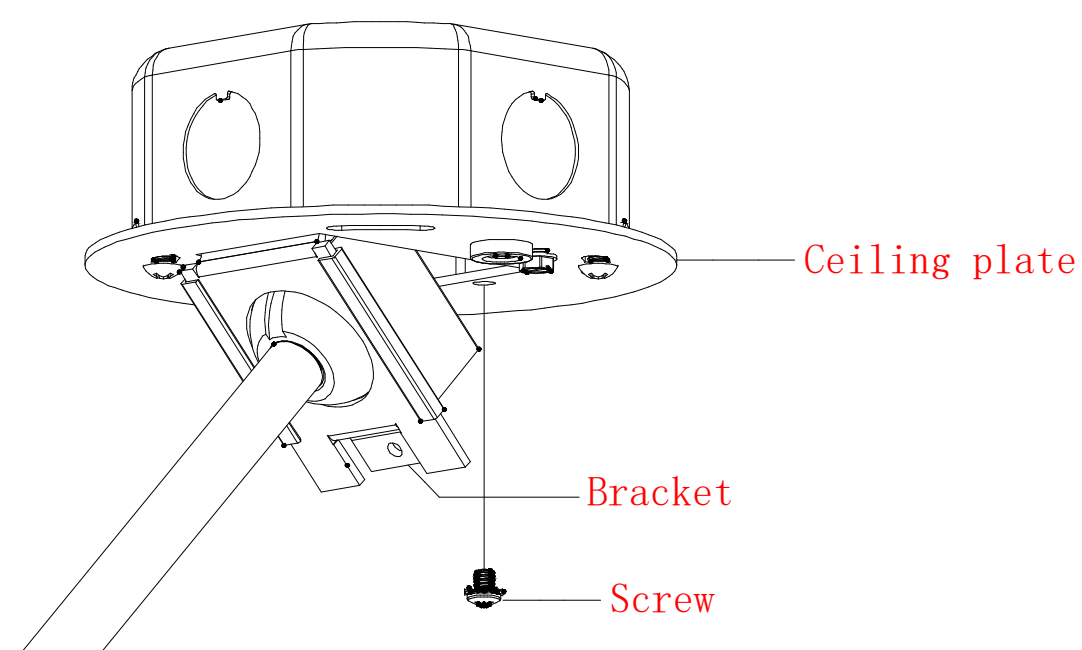
5、 Fasten the steel rope onto the bracket



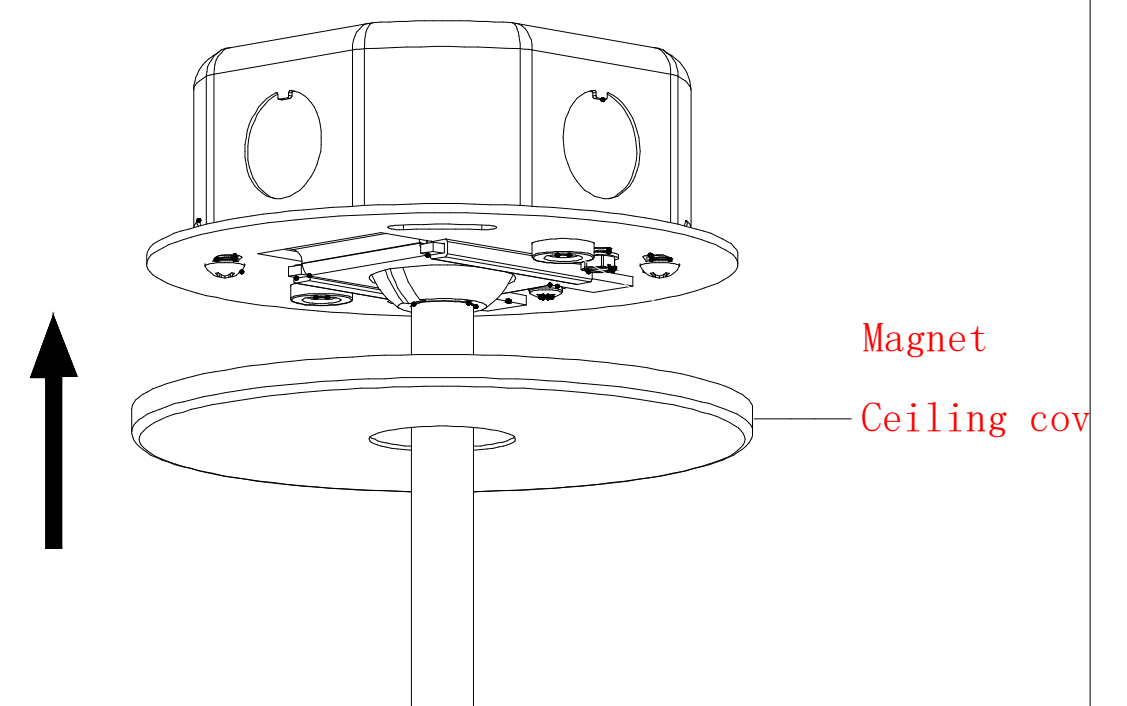
6、 Wiring: connect the black/white/green wires to L/N/ground respectively, and connect the purple/pink wires to DIM+/DIM- respectively.



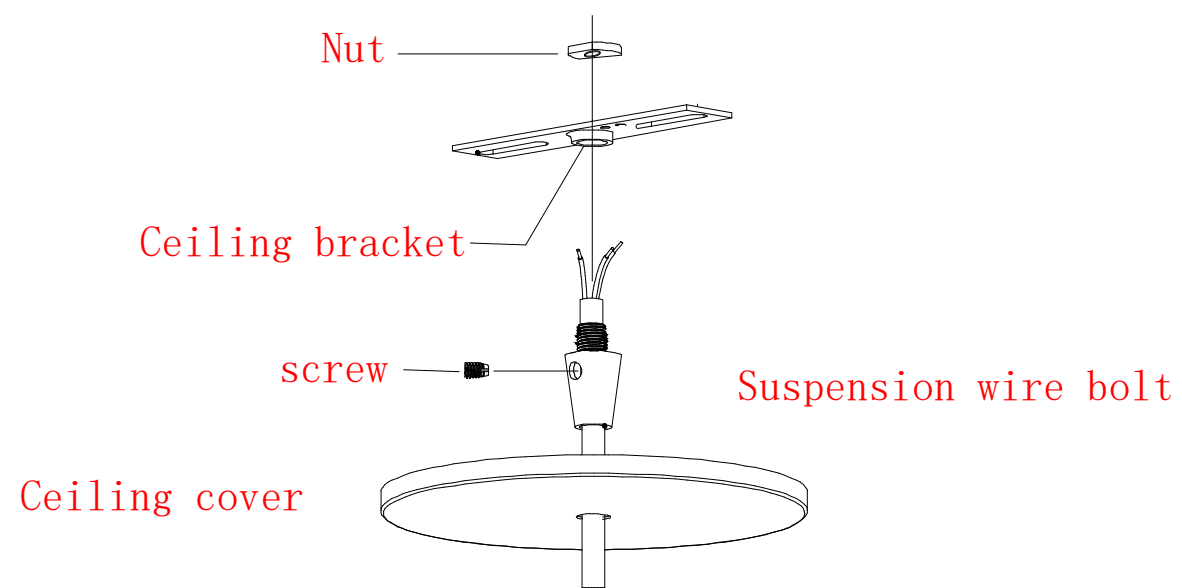
7、 Fix the bracket onto the ceiling plate with screws



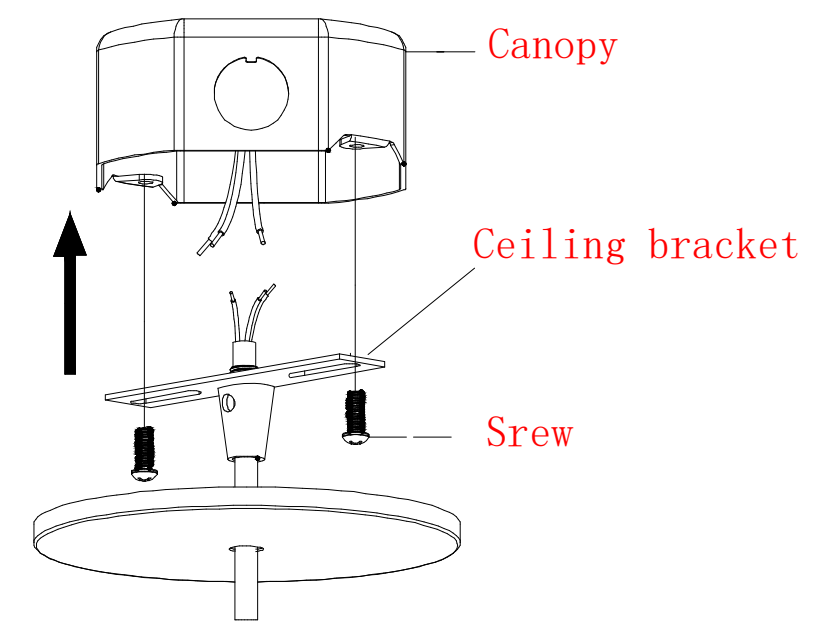
8、 Fix the ceiling cover to the canopy using magnet



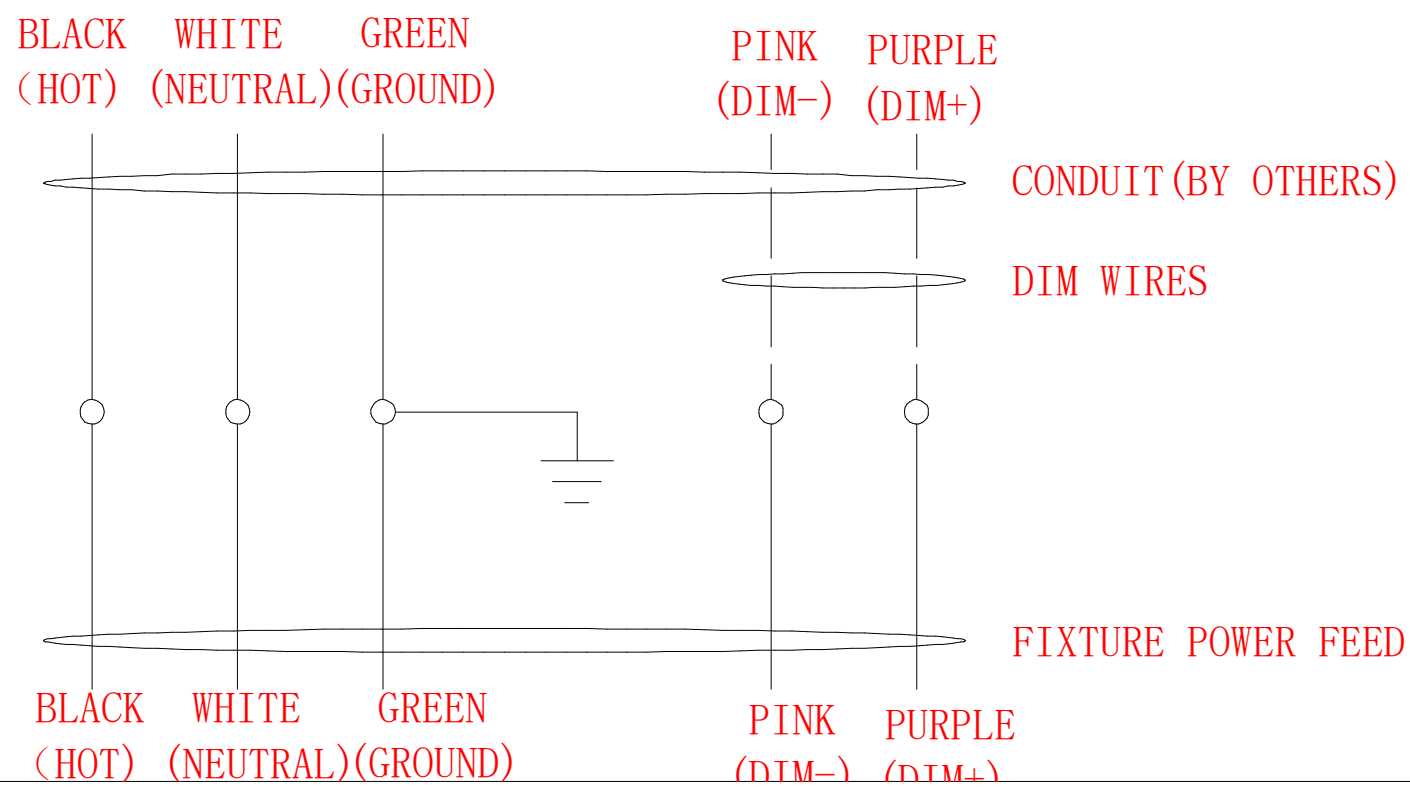
1、 Thread the ceiling cover through the suspension wire, fix the suspension wire bolt onto the wire using a screw, and secure the ceiling bracket to the suspension wire bolt with a nut.



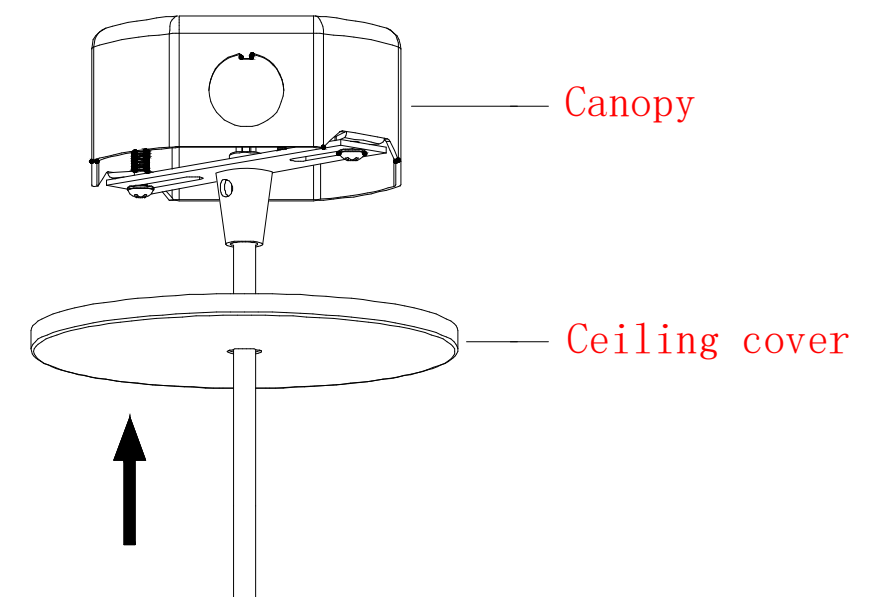
2、 Fix the ceiling bracket to the canopy using screws



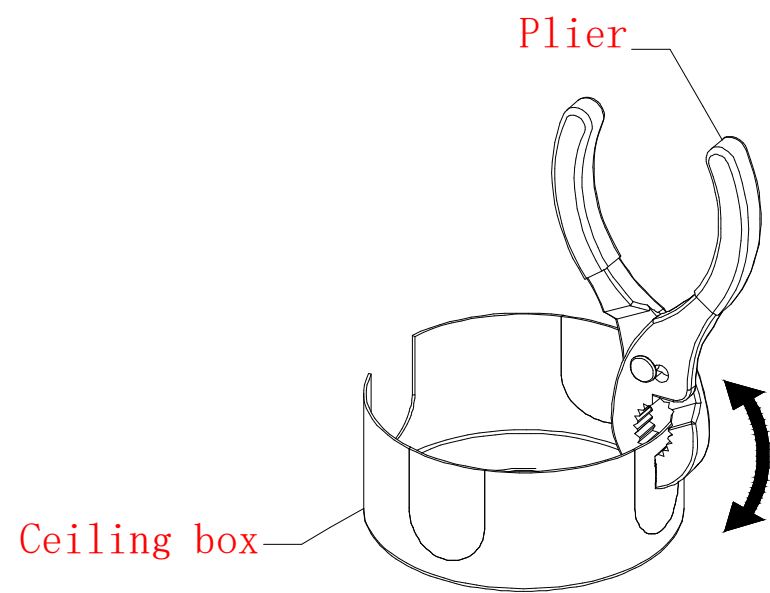
3、 Wiring: connect the black/white/green wires to L/N/ground respectively, and connect the purple/pink wires to DIM+/DIM- respectively.



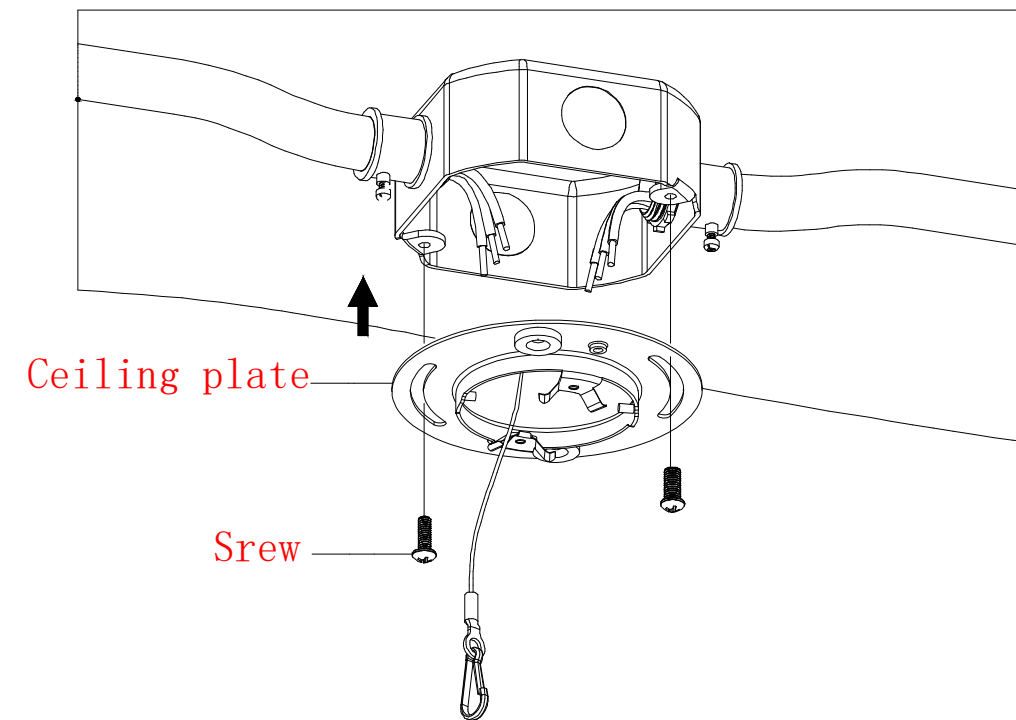
4、 Secure the ceiling cover to the canopy using magnets



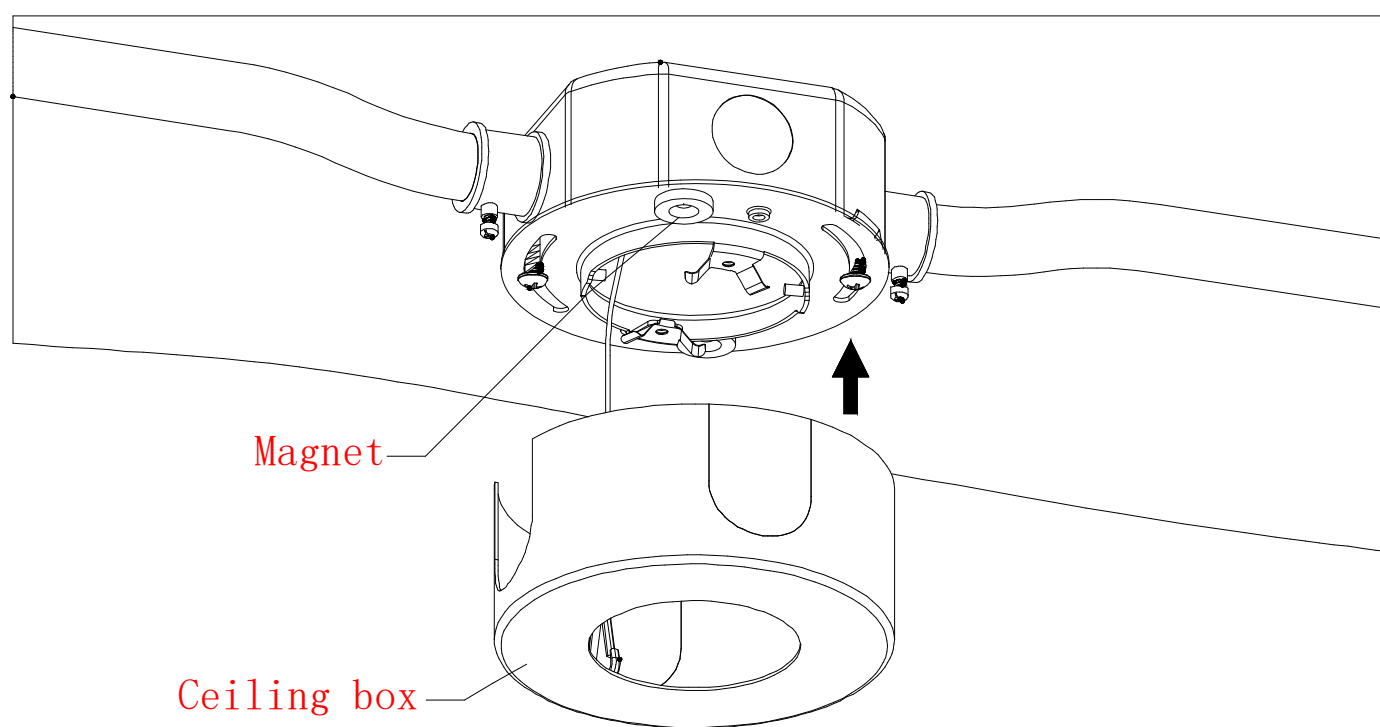
1、 Use plier to remove two pre-removable metal sheets on the opposite sides of the ceiling box



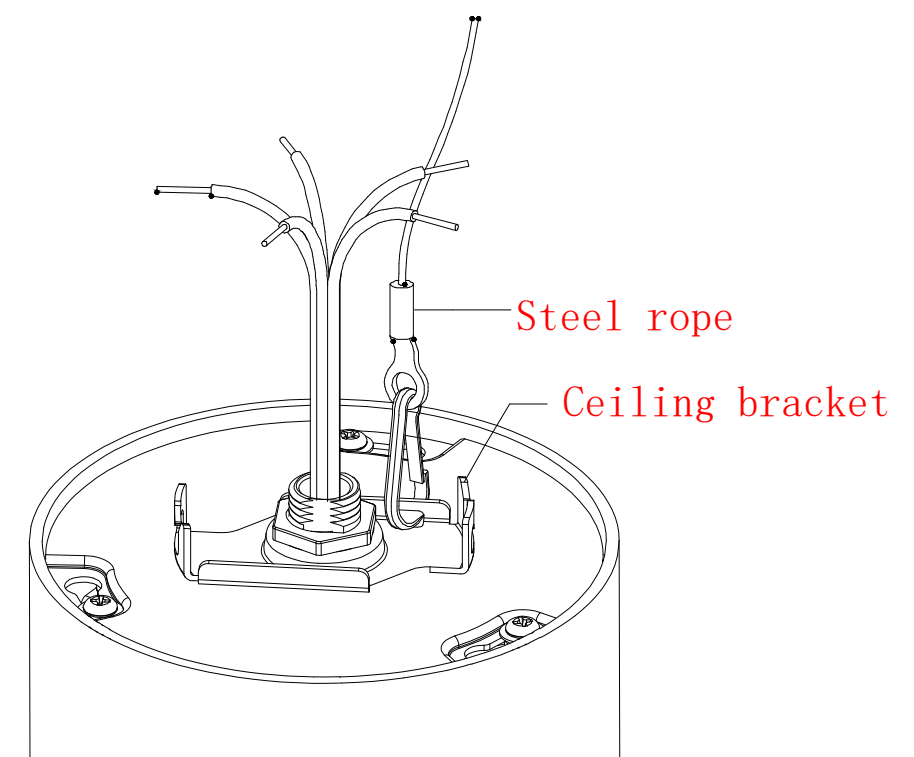
2、 Fix the ceiling plate to the canopy using screws



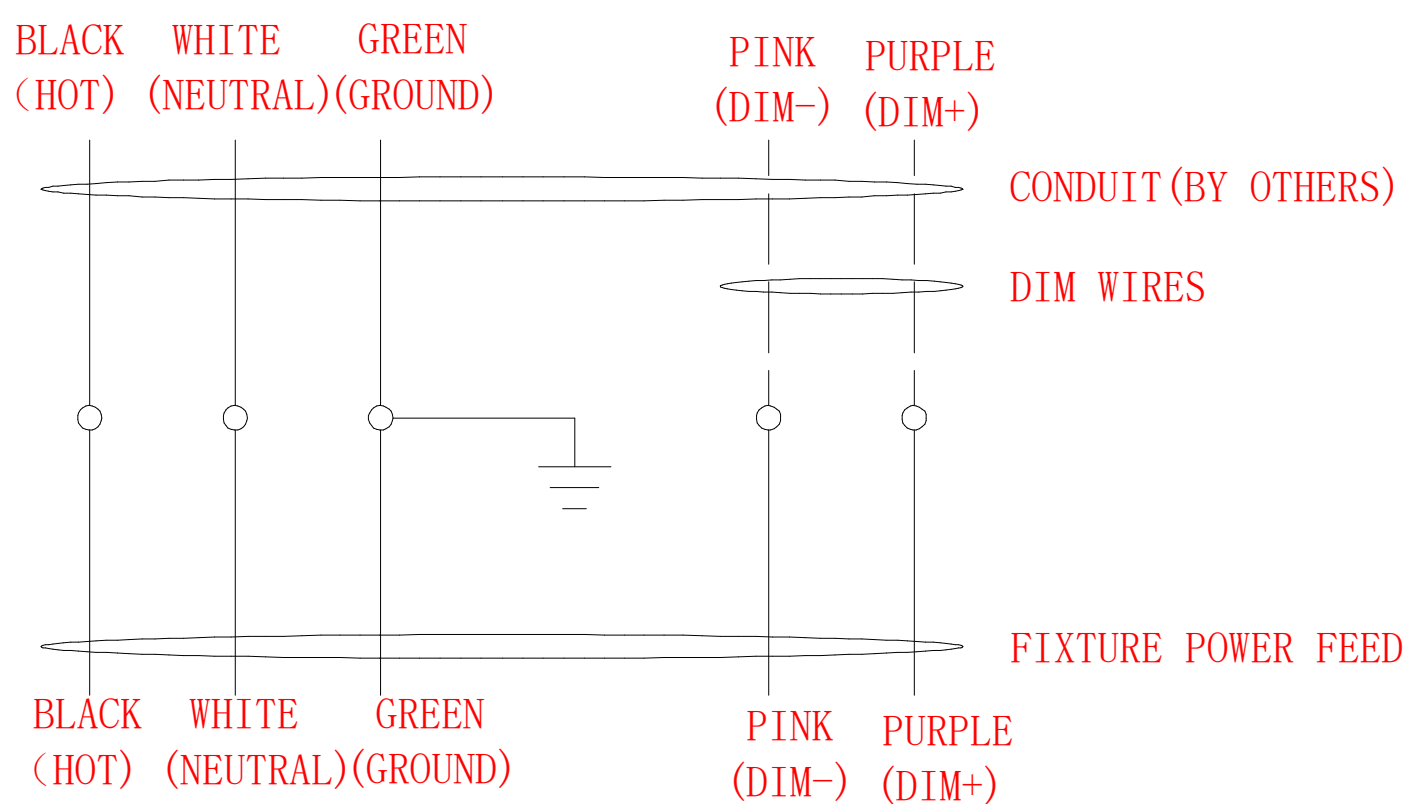
3、 Secure the ceiling box to the canopy using magnet



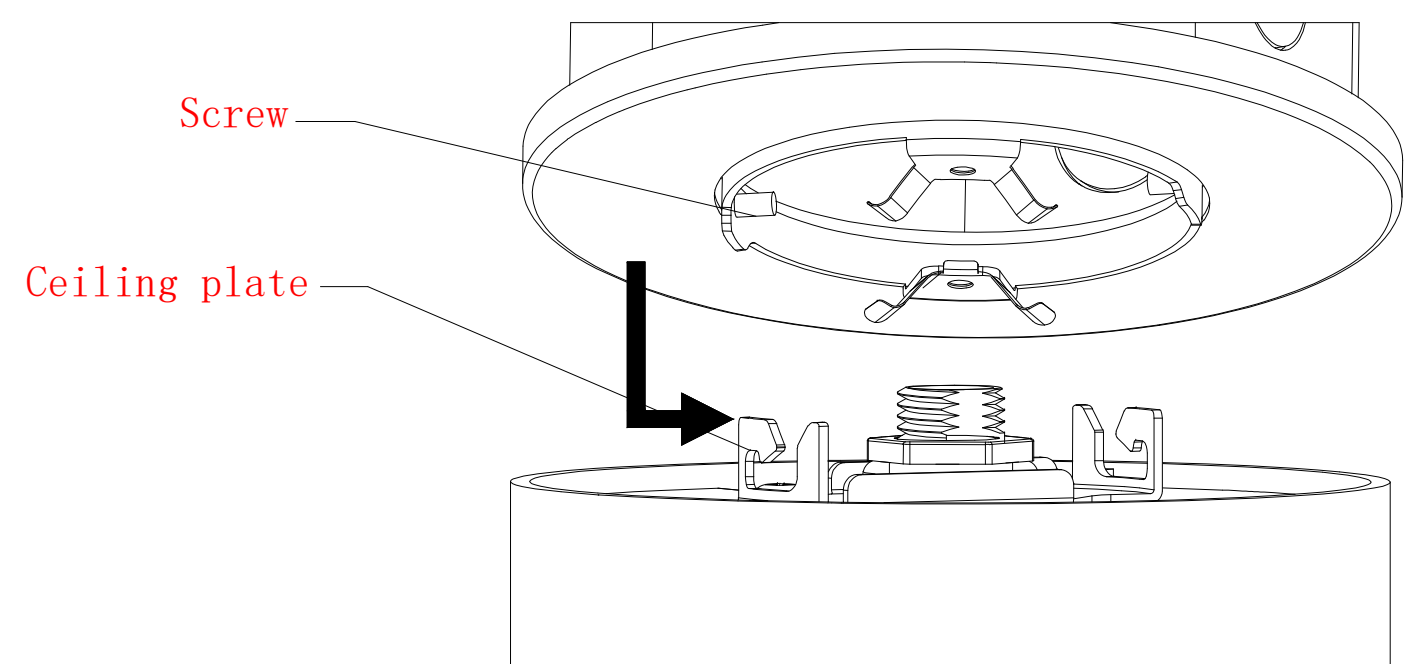
4、 Mount the steel rope onto the ceiling bracket



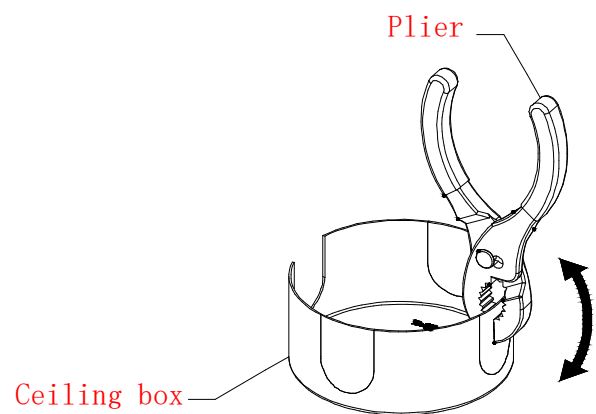
5、 Wiring: connect the black/white/green wires to L/N/ground respectively, and connect the purple/pink wires to DIM+/DIM- respectively.



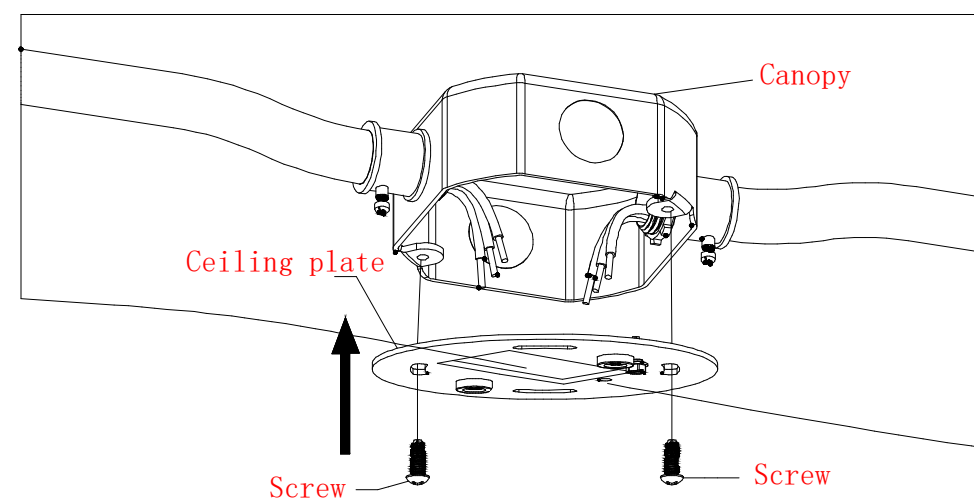
6、 Fix the fixture onto the ceiling plate in the direction indicated by the arrow and tighten the screws on the fixture.



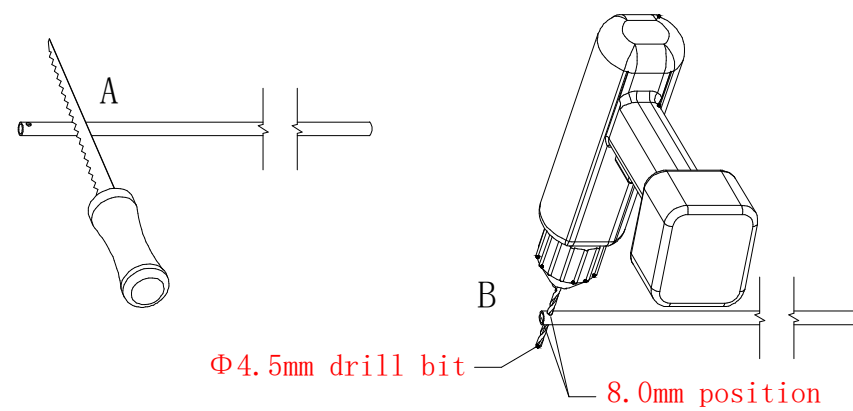
1、Remove the two pre-removable metal sheets on opposite sides of the ceiling box using pliers



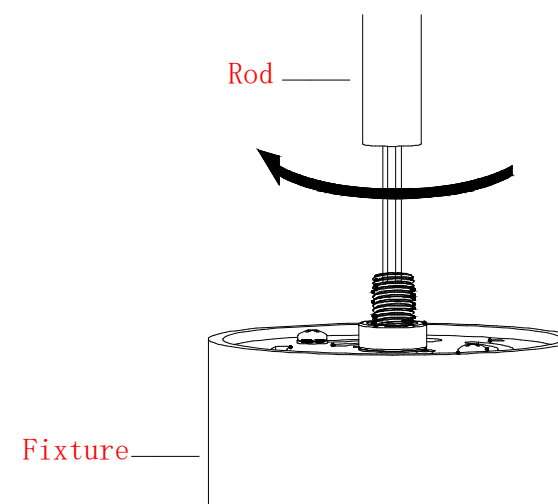
2、Fix the ceiling plate onto the canopy with screws



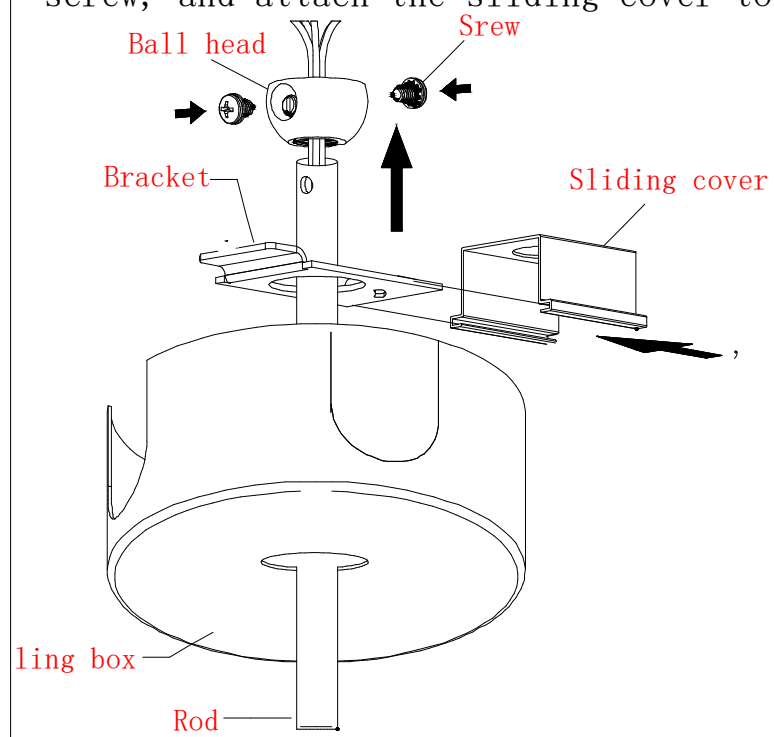
3、Cut off the end of the rod with the hole, then drill a $\Phi 4.5\text{mm}$ diameter hole at a distance of 8mm from the end face of the rod, using it as the center point



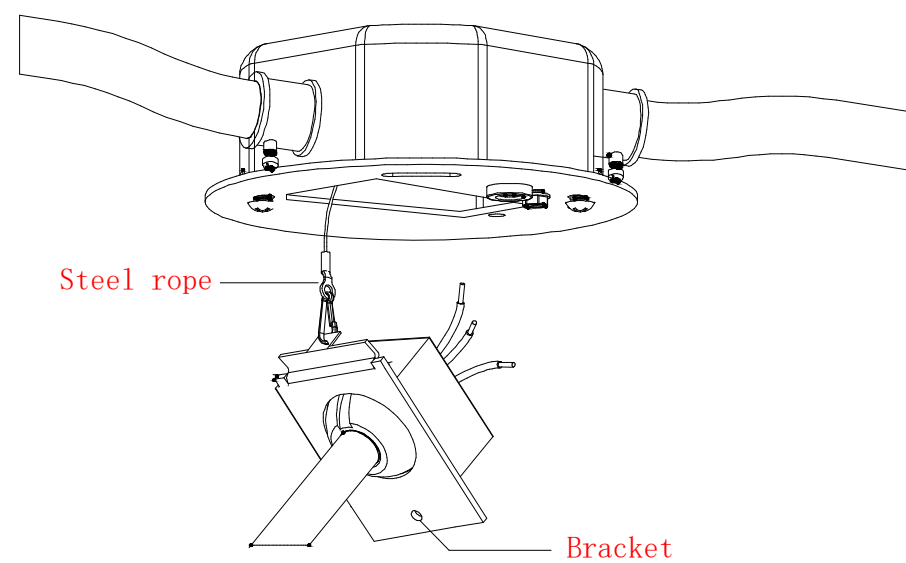
4、Rotate the rod onto the fixture in the direction indicated by the arrow to secure it.



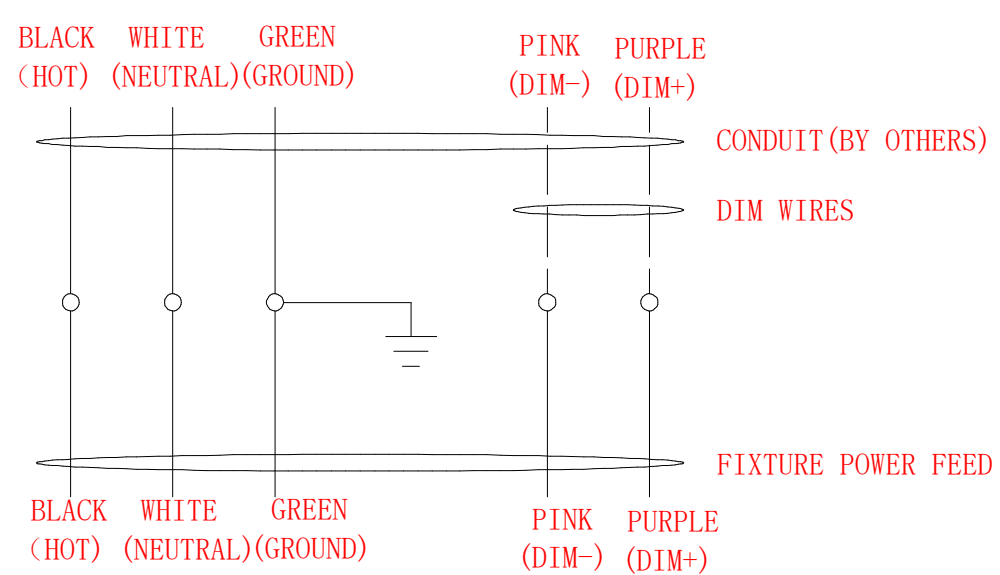
5、Pass the ceiling box and brackets through the rod in sequence, secure the ball head to the rod with a screw, and attach the sliding cover to the bracket



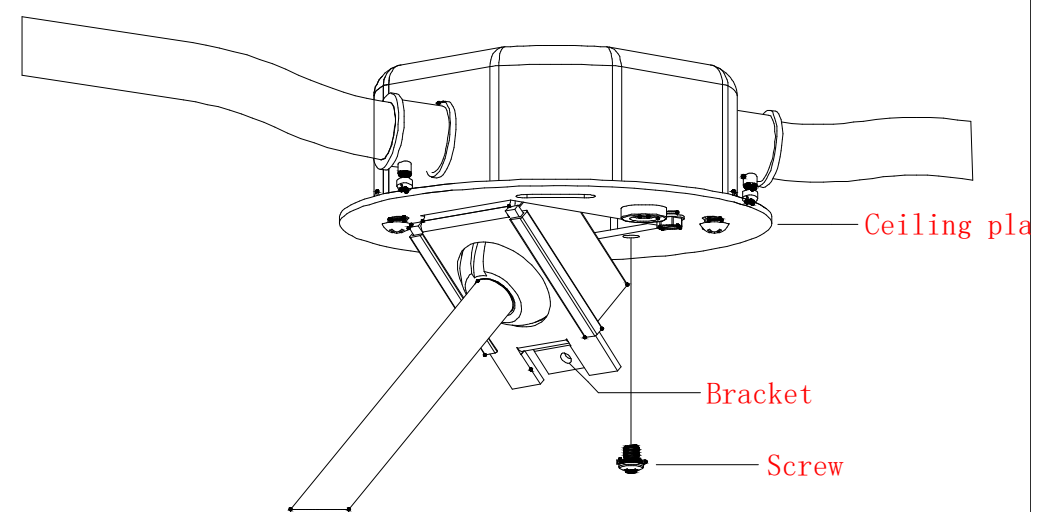
6: Fasten the steel rope onto the bracket



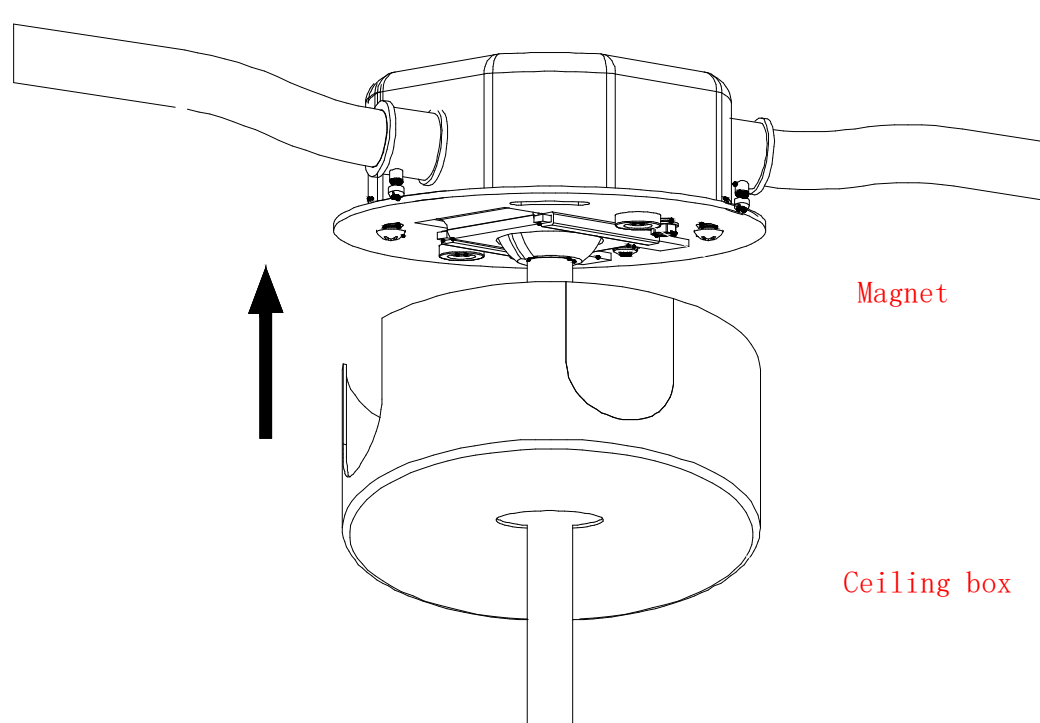
7、Wiring: connect the black/white/green wires to L/N/ground respectively, and connect the purple/pink wires to DIM+/DIM- respectively.



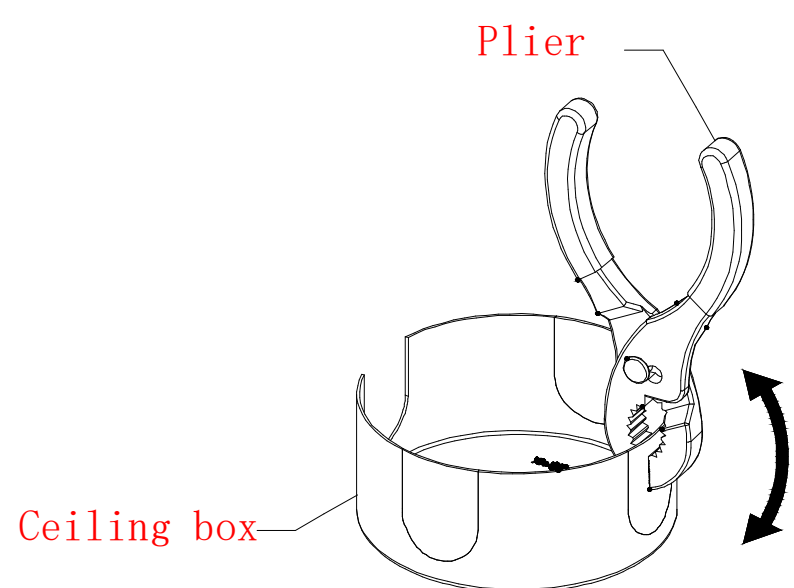
8、Fix the bracket onto the ceiling plate with screws



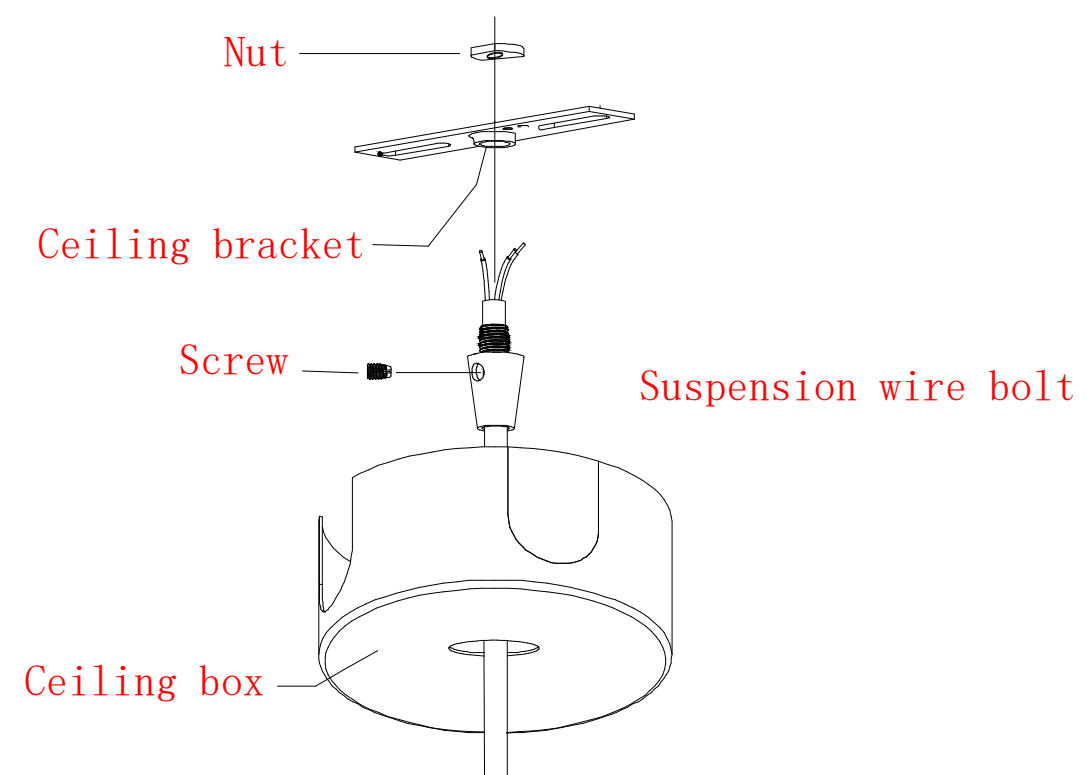
9、Fix the ceiling box to the canopy using magnet



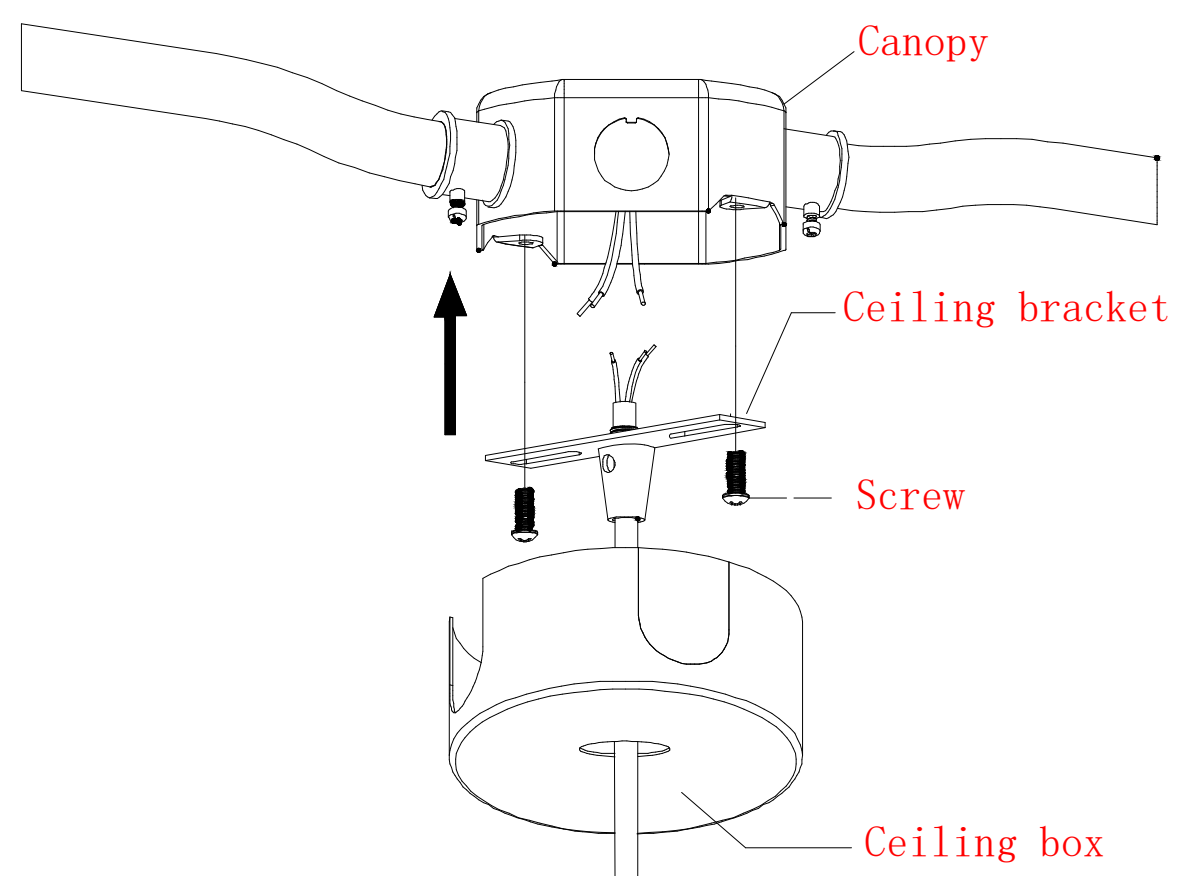
1、 Remove the two pre-removable metal sheets on opposite sides of the ceiling box using pliers



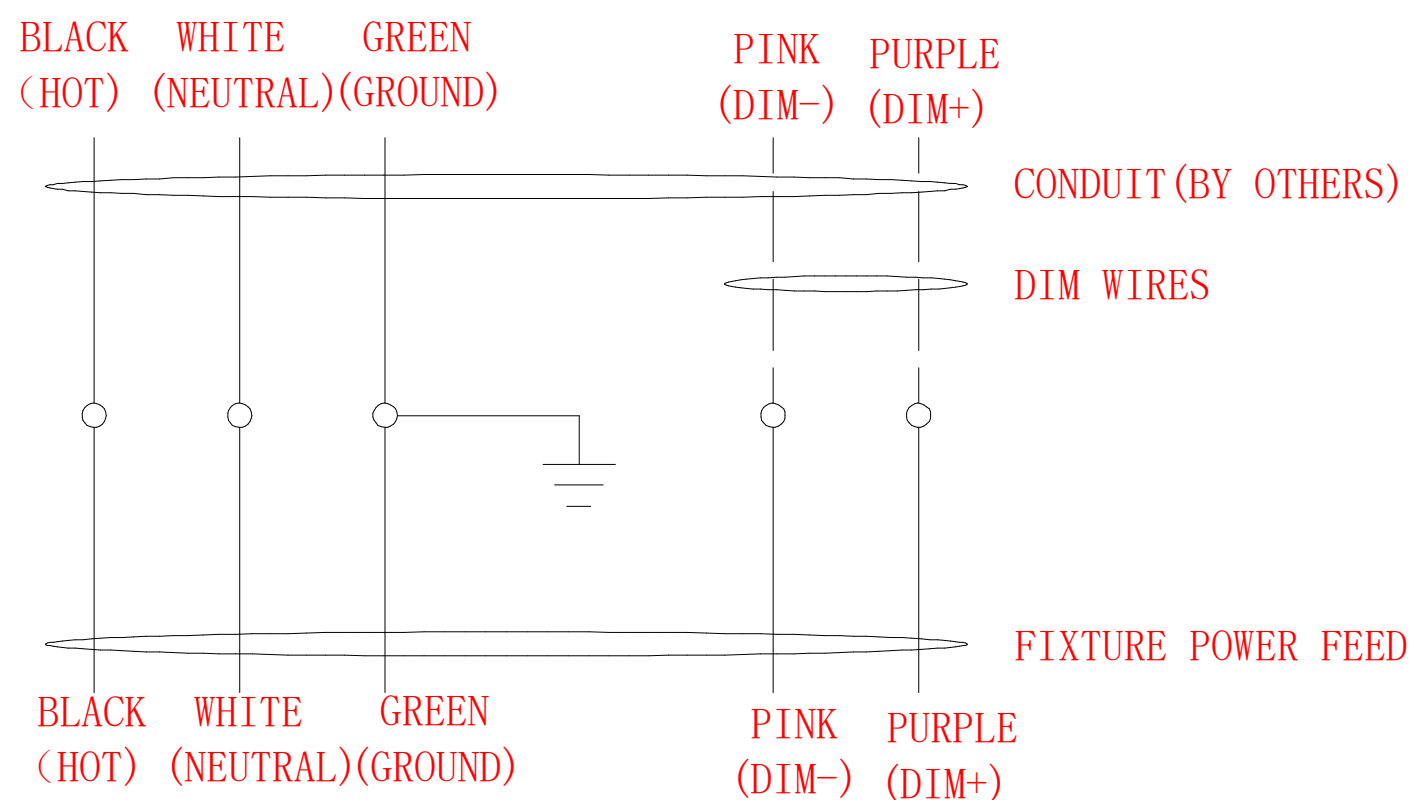
2、 Thread the ceiling box through the suspension wire, fix the suspension wire bolt onto the wire using a screw, and secure the ceiling bracket to the suspension wire bolt with a nut



3、 Fix the ceiling bracket to the canopy using screws



4、 Wiring: connect the black/white/green wires to L/N/ground respectively, and connect the purple/pink wires to DIM+/DIM- respectively.



5、 Secure the ceiling box to the canopy using magnet

