

Installation steps:

- ◆ Follow the above wiring steps to select the appropriate wire for wiring;
- ◆ Put the lamp into the round tube light arm as shown in Figure 9, refer to the level to install the lamp level, and then lock the four fixing screws;

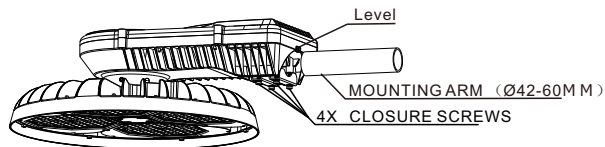


Figure 9

- ◆ Adjust the direction of the light projection as described in the previous instructions, and ensure that it is locked after adjustment;
- ◆ Fix the light barrier to the luminaire with a screwdriver as required, Figure 10

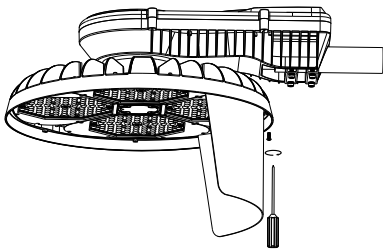


Figure 10

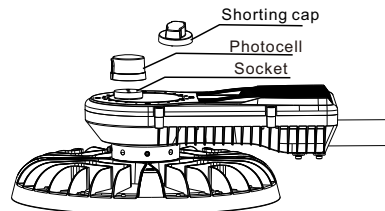


Figure 11

- ◆ When the photocell function is required, photocell should be installed on the back of lamp; When it's not required, shorting cap should be installed on the back of lamp Figure 11.

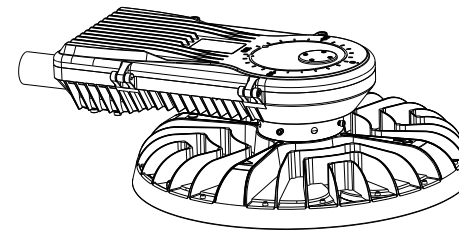
MIN 75 °C SUPPLY CONDUCTOR

THIS PRODUCT MUST BE INSTALLED IN ACCORDANCE WITH THE APPLICABLE INSTALLATION CODE BY A PERSON FAMILIAR WITH THE CONSTRUCTION AND OPERATION OF THE PRODUCT AND THE HAZARDS INVOLVED.

LES FILS D'ALIMENTATION 75 °C MIN

CE PRODUIT DOIT ÊTRE INSTALLÉ SELON LE CODE D'INSTALLATION PERTINENT, PAR UNE PERSONNE QUI CONNAÎT BIEN LE PRODUIT ET SON FONCTIONNEMENT AINSI QUE LES RISQUES INHÉRENTS.

LED HIGH MAST LIGHT INSTALLATION INSTRUCTION



Application:

Port container terminals,
Urban arterial roads,
Highways and
Overpasses,
Large event plazas,
Railway stations,
Airports,
Military facilities,
Prisons,
Open-pit mines,
Truck stops,
Toll plazas,
etc.

Note:

- The product should be installed, inspected and maintained by a qualified electrician in accordance with local national electrical safety regulations;
- Please turn off the power before checking, installing or removing;
- Ensure that the voltage used is the voltage within the product identification range;
- Use wires that comply with UL (or other local standards) for wiring. The voltage AC120-277V should be wired with no less than 16 AWG, and the voltage AC277-480V should be wired with no less than 18 AWG;
- Do not install in a hazardous environment. The ambient temperature must not exceed the rated operating temperature of the product;
- Do not install the product when it rains. Avoid the danger of lightning strikes and avoid accidents;
- Avoid direct eye exposure to the light source while it is on;
- All wiring connections should be capped with UL approved recognized wire connectors ;
- Do not use the electric generator to test the LED lamp;
- External 0-10V only passive dimmers are supported.

Product manual:

- High mast light has been listed to applicable U.S. & Canadian safety standards by Underwriters Laboratories Inc. It is suitable for use in wet locations and ambient temperatures up to 45°C ;
- Description of each part of the product, Figure 1;

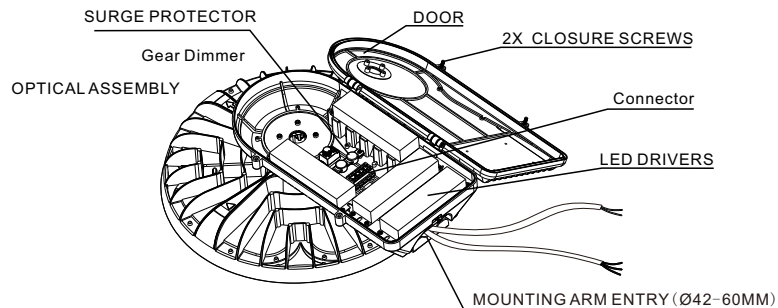


Figure 1

- The LED driver can be replaced or repaired by opening the driver box, Figure 2;
- The Optical Assembly can be rotated to assist with aiming the lighting distributions ;
- For products with optional gear dimming function, the light output and input power of the lamp can be changed by shifting the knob of the dimmer, (Gear 8 = full output. Gear 1 is the minimum output Optional 25%, 40%, 50%, 60%, 70%, 80%, 90%, 100%, factory setting: "8") Figure 3 ;

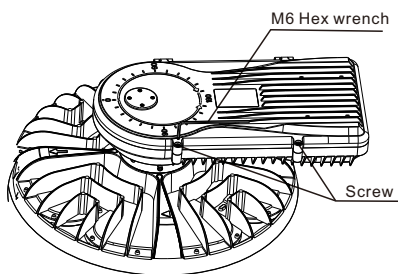


Figure 2

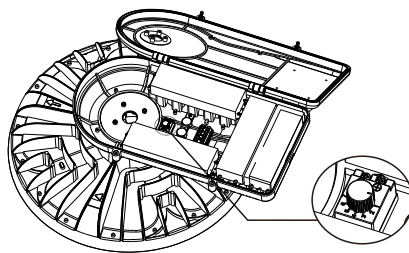


Figure 3

- Products with optional light control function are equipped with a light control base on the top of the power box. You need to use the light control to install the light controller into the base.
- 20KV surge protector is equipped to resist the risk of lightning strike;

- The direction of light projection can be adjusted by turning the radiator (165° left and right) Figure 4. Before turning, you need to loosen the three screws shown in Figure 5, and then tighten the screws after adjusting the projection direction.

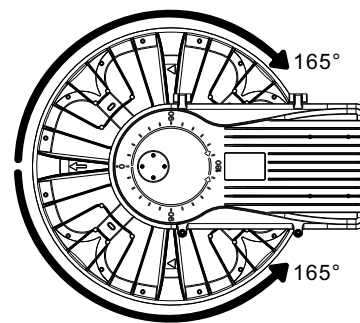


Figure 4

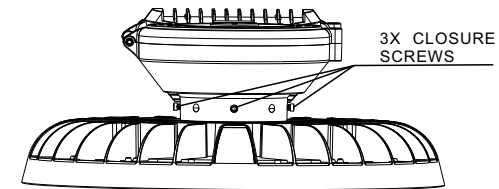


Figure 5

- The lamp can be adjusted vertically by 5° by adjusting the limit. Figure 6, Figure 7

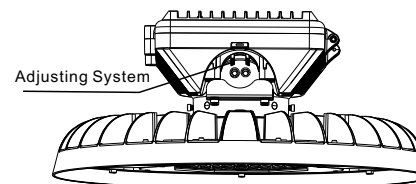


Figure 6

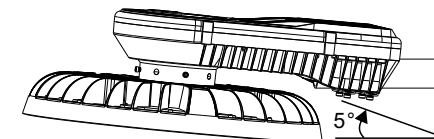


Figure 7

Wiring diagram:

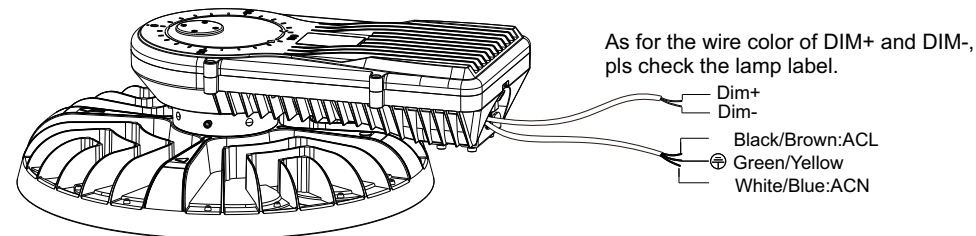


Figure 8