

G2

CLIO G2

Duo Selectable LED Post Top/Area Light



PTV2
Duo Selectable LED Post Top/Area Light



DESCRIPTION

LED Post Top Fixture/ 120-277V Input(347-480V Optional)/
Power & CCT Selectable/ 0-10V Dimming

PRODUCT FEATURES

- Modern, European Look
- Constructed from durable, corrosion-resistant, cast aluminum
- Silicone gasketing is provided for complete weather and insect protection
- High-performance optics feature T2, T3, T4 & T5 distributions
- Surge Protection: L/N-PE 10KV,L-N 6KV (20KV Optional)
- Features Wattage Select Technology: Adjust power between 130W/100W/80W/60W
- Feature CCT Select Technology: Adjust CCT between 3000K/4000K/5000K
- PF>0.95, THD<20%
- Available in standard and custom colors
- Industry leading 10 year warranty is provided

APPLICATION

Campus, Business Park, Walkway, Condo, Commercial Property

PRODUCT SPECIFICATIONS

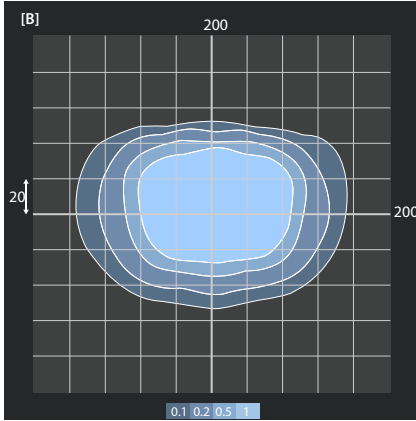
Part Number	Input	CRI	Nominal Wattage(W)	3000K		4000K		5000K		BUG
				Efficacy (LM/W)	Light Output(LM)	Efficacy (LM/W)	Light Output(LM)	Efficacy (LM/W)	Light Output(LM)	
PTV2-100P-40-T3	120-277V	>70	130	145.6	18,923	151.4	19,687	148.5	19,253	B3-U0-G3
			100	147.0	14,701	153.0	15,295	150.0	14,995	
			80	148.5	11,879	154.5	12,359	151.5	12,116	
			60	150.0	8,998	156.0	9,362	153.0	9,178	

* Lumens for 130W, 5000K is based on in-house tested data. Other data is calculated with multiplier.
* CCT multiplier: 1.02, wattage multiplier: 1.01.

PTV2
Duo Selectable LED Post Top/Area Light

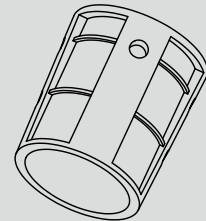
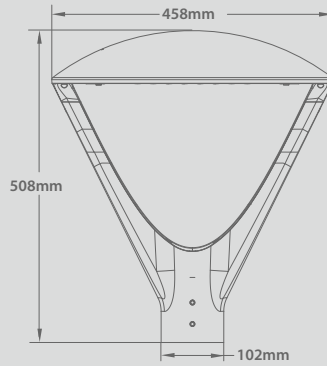
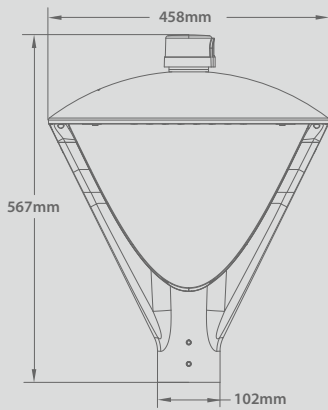
LIGHT DISTRIBUTION PATTERN

PTV2-100P-T1-T3 @130W,5000K
TYPE III (T3)



The post top fixture is mounted at 20 ft. Calculation Area is set as 200 x 200 ft and the point spacing is 30 x 30 ft.

PHYSICAL SPECIFICATIONS



Fit 3" round pole. Tenon reducer (TR-PTV2-01) is available to fit 2-3/8" tenon mount, sold separately. Extra tenon adapter is needed for 4" and 5" pole without tenon.

Model	EPA	Fixture Dimension		Packing	Weight	
		Without Bracket	With Bracket		Net	Gross
PTV2-100P-T1-T3	0.88 ft ²	φ458mm(15") * 200mm(7.9")	φ458mm(18") * 567mm(22.3")	460mm(18") * 548mm(21.6")	8KG(17.6LBS)	8.5KG(18.7LBS)

PTV2

Duo Selectable LED Post Top/Area Light

ADDITIONAL ACCESSORIES (SOLD SEPARATELY)

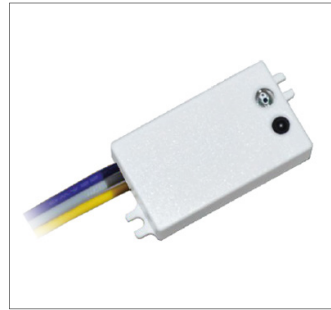
ATG CODE	MODEL NUMBER	DESCRIPTION
P1	JL-207C	3-pin Photocell, 120-277VAC, including base
P2	JL-207F	3-pin Photocell, 480VAC, including base
P3	JL-243C	7-pin Photocell, 120-277VAC, including base
SH	ANT-9	Microwave Motion Sensor, 12VDC
R1	RC-100	Remote for ANT-9
TR	TR-PTV2-01	Tenon reducer, 3 inch to 2-3/8 inch
SC	OJ-M715-C	Shorting cap for 3-pin photocell (included in packing)



JL-207C



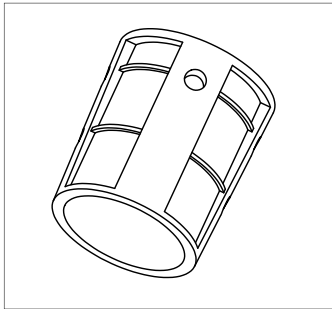
JL-243



ANT-9



RC-100



TR-PTV2-01



OJ-M715-C

ORDER FORMAT

Series	Wattage	CCT	Input	Optics	Mounting	Finish	Options
PTV2							
PTV2	100P= Power Selectable 130W/100W/80W/60W	T1= 3000K/4000K/ 5000K Select	Blank= 120-277VAC V= 347-480VAC	T2 T3 T4 T5	Blank= Double Arm	Blank= Bronze W= White B= Black	P1= JL-207C P2= JL-207F P4= JL-243C