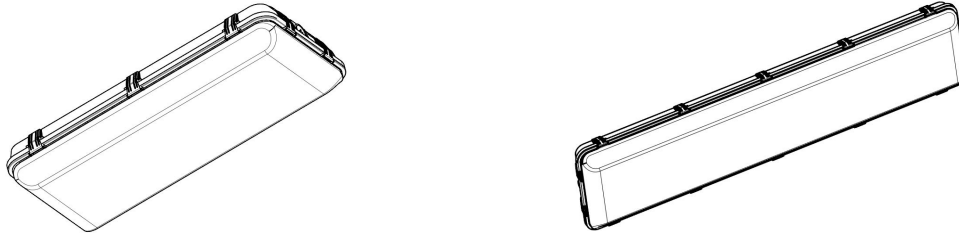


INSTALLATION INSTRUCTIONS



IMPORTANT

READ CAREFULLY BEFORE INSTALLING FIXTURE. RETAIN THESE INSTRUCTIONS FOR FUTURE REFERENCE.

Fixtures must be wired in accordance with the National Electrical Code and all applicable local codes. Proper grounding is required for safety. THIS PRODUCT MUST BE INSTALLED IN ACCORDANCE WITH THE APPLICABLE INSTALLATION CODE BY A PERSON FAMILIAR WITH THE CONSTRUCTION AND OPERATION OF THE PRODUCT AND THE HAZARDS INVOLVED.

WARNING: Make certain power is OFF before installing or maintaining fixture. No user serviceable parts inside.

SURFACE MOUNTING

The fixture is suitable for outdoor applications in wet locations either ceiling or wall mounted.

1. Use appropriate mounting hardware (not supplied) to secure the **Snap On Brackets** to mounting surface. Refer to recommended **Snap On Bracket** in **Fig. 1** for VPL 2FT and **Fig. 2** for VPL 4FT.

WARNING: Mount Snap On Brackets symmetrical about the center as shown in **Fig. 1** and **Fig. 2**. **Snap On Brackets** must be aligned with each other to secure **Housing**.

2. In order to use an alternate entry point for VPL 4FT&2FT, follow below steps 3-7.
3. Unlatch the **Lens** from **Housing**.
4. Snap out the **LED & Heat Sink Assembly**. **Tether Cables** (2 for VPL 2FT&4FT) are provided, if required.
5. Feed supply wires through one of the Conduit Plugs (5) to make electrical splices. Cord-grips (2) are provided and can be used based on application.
6. Use appropriate UL approved wire connectors as required by code to complete wiring with supply wires. Be careful not to pinch wires. Quick connector is provided for easy installation, if required.
WARNING: To prevent wiring damage or abrasion, do not expose wiring to edges of sharp objects.
7. Snap in **LED and Heat Sink Assembly** and secure **Lens** to **Housing** by **Latch**. Be careful not to pinch wires. Check that gasket is fully sealed.
8. Snap **Housing** on **Snap On Brackets** as shown in **Fig. 3**.
9. Use silicone or teflon tape on all conduit entry points.

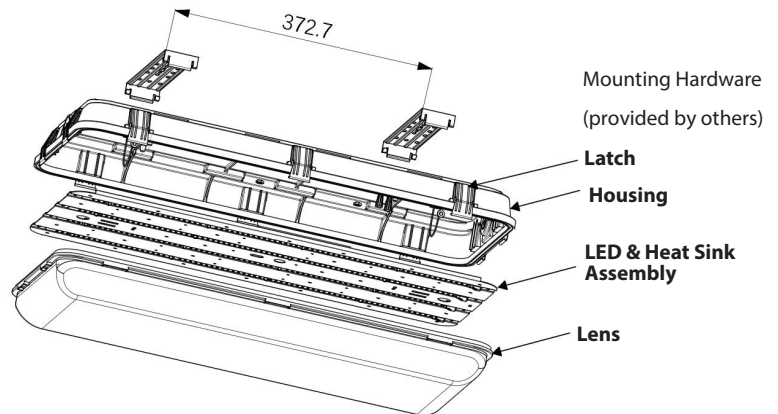


Fig. 1 - 2FT

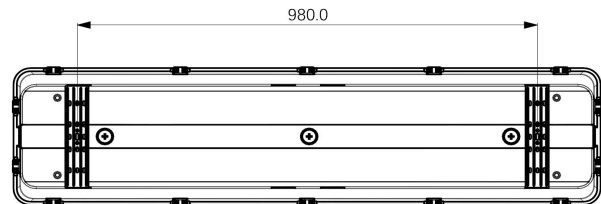


Fig. 2 - 4FT

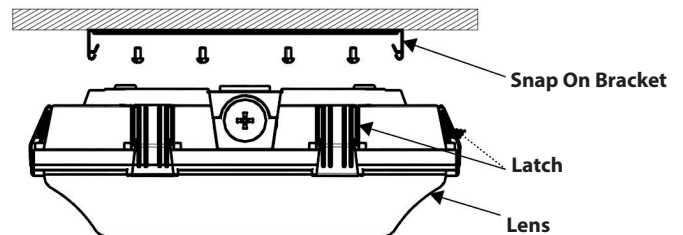


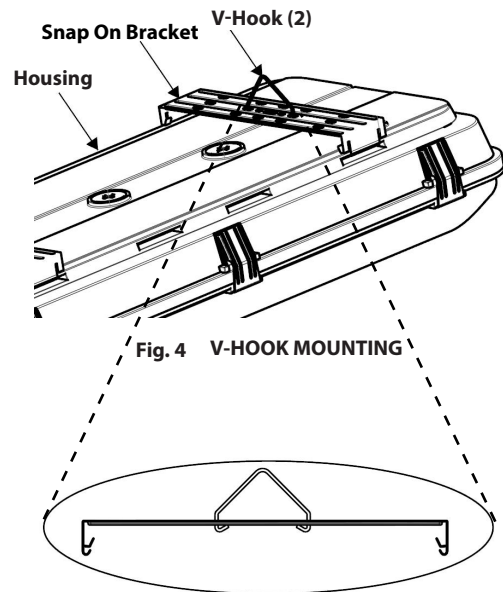
Fig. 3 SURFACE MOUNTING

COD INSTALLATION INSTRUCTIONS

V-HOOK MOUNTING

Suspend **Housing** to sturdy ceiling structure as follows:

1. Snap **Housing** on **Snap On Brackets** as shown in **Fig. 3**.
2. In order to use an alternate entry point for VPL 2FT&4FT, follow steps 3-7 under Surface Mounting section.
3. **V Hooks** (2 pc on VPL 2FT&4FT) are provided for chain mounting. Loop **V-Hooks** through **Snap On Bracket** at back of **Housing** as in **Fig. 4**.
4. Connect to two (for VPL 2ft& 4ft) equal lengths of chain (by others) and/or appropriate hardware (by others) suitable for mounting surface, to suspend **Housing** from **V Hooks**.
5. Fixture mounting height and spacing should be determined by application requirements. Use chain suitable to support four (4) times the weight of the fixture.
6. Use silicone or teflon tape on all conduit entry points.

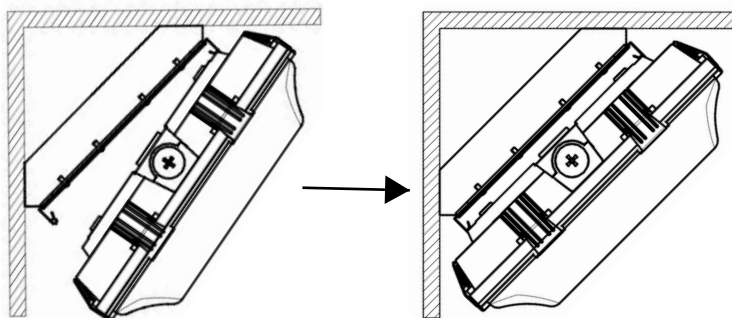
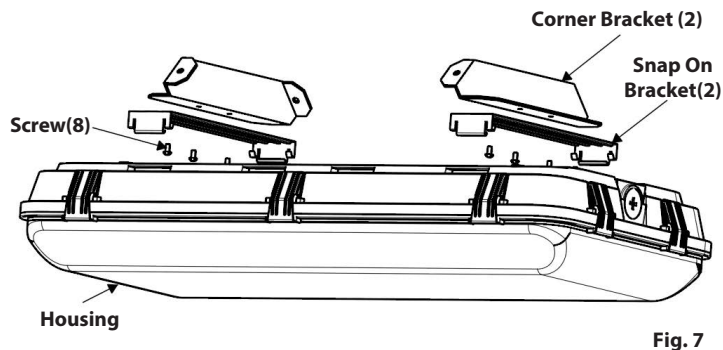


COD INSTALLATION INSTRUCTIONS

ACCESSORIES - ANGLE MOUNTING

(ordered separately) - Fig. 7 and 8

1. Use appropriate mounting hardware (not supplied) to secure the **Corner Bracket (2)** to mounting surface as shown in **Fig. 7**. **Corner Bracket** must face towards each other. Recommended **Corner Bracket** distance center to center is 14-21/31" (for 2 FT) and 38-25/43" (for 4 ft).
2. Secure **Snap On Bracket (2)** (supplied standard with Housing) to **Corner Bracket (2)** with **Screws** provided as shown in **Fig. 7**.
3. Snap **Housing** on **Snap On Brackets (2)** as shown in **Fig. 2, Page 1**. Ensure that **Housing** is secure to **Snap On Brackets (2)** onto the grooves on **Lens** as shown in **Fig. 1, Page 1**.

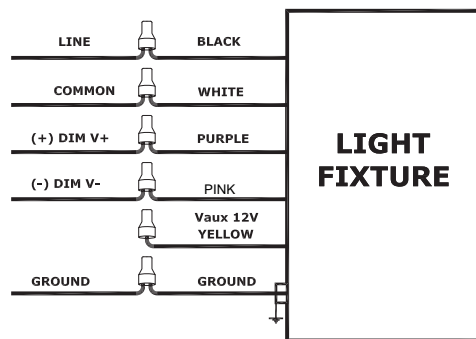


0-10V DIMMABLE WIRING

Universal voltage driver permits operation at 120V thru 277V, 50 or 60 Hz. For 0-10V Dimming, follow the wiring directions in **Fig. 9**.

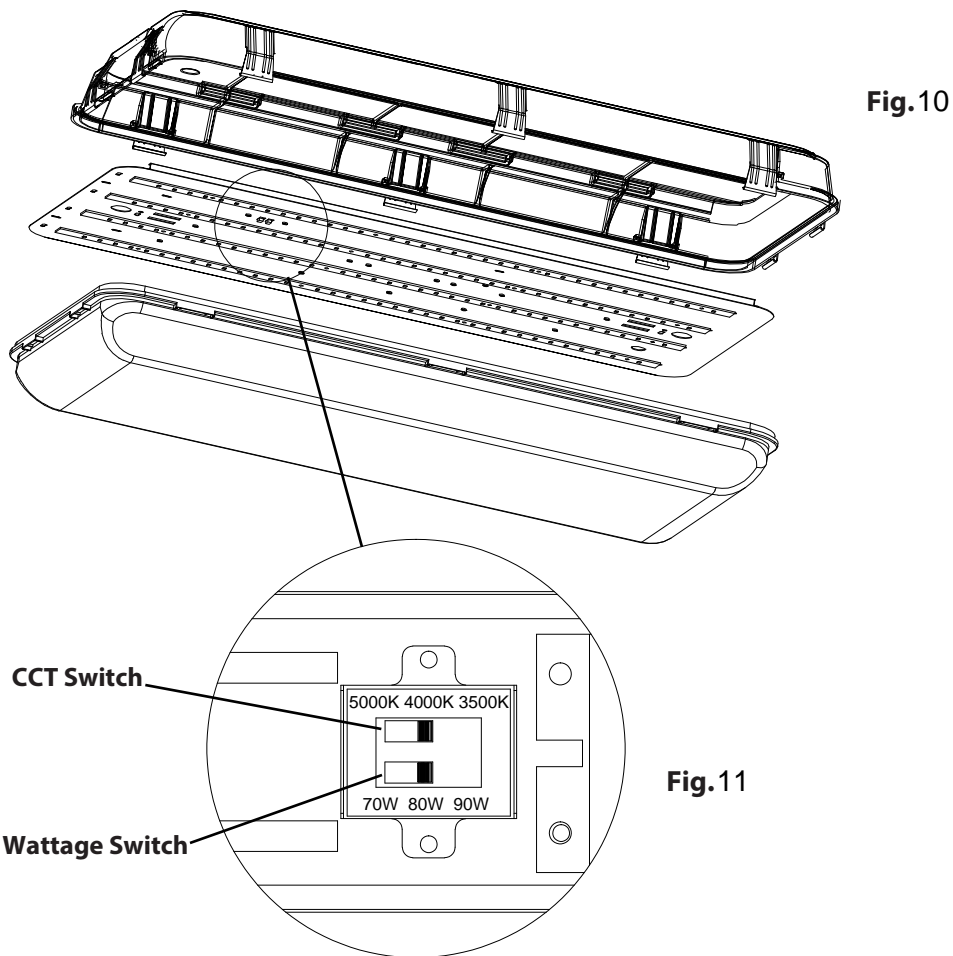
1. Connect the black fixture lead to the LINE supply lead.
2. Connect the white fixture lead to the COMMON supply lead.
3. Connect the GROUND wire from fixture to supply ground.
4. Connect the purple fixture lead to the (V+) DIM lead.
5. Connect the gray fixture lead to the (V-) DIM lead.
6. Cap the yellow fixture lead, if present. Do NOT connect.

NOTE: Do not connect DIM V+ (purple)/ DIM V- (pink) to line voltage or supply ground.



COD INSTALLATION INSTRUCTIONS

Field-Adjustable Wattage & CCT



The end users may adjust the color temperature and lumen output respectively by the two DIP switch buttons. Each DIP switch is accommodated with 3 options (left, middle and right), corresponding to 3 color temperatures and 3 powers respectively, which can perform the desired color temperature and lumen output combination.

Factory Settings: Generally set to maximum power and minimum color temperature, For example, as shown in the picture, The setting is 3500K, 90W. If the customer has requirements, it can be set accordingly.

1. Release the latch and open the lens, then Snap out the LED & Heat Sink Assembly. Find the switch box on the back of the heat sink assembly.
2. Select a wattage and color temperature by sliding switch left or right respectively to the desired value. (Fig.11)
3. Snap in LED and Heat Sink Assembly and secure Lens to Housing by Latch. Be careful not to pinch wires.