



DR8T

**8" DUO SELECTABLE RETROFIT
DOWNLIGHT**

DR8T
8" DUO SELECTABLE RETROFIT DOWNLIGHT



DESCRIPTION

8" Retrofit Downlight / Power & CCT Selectable / 0-10V Dimming / 120-277Vac Input



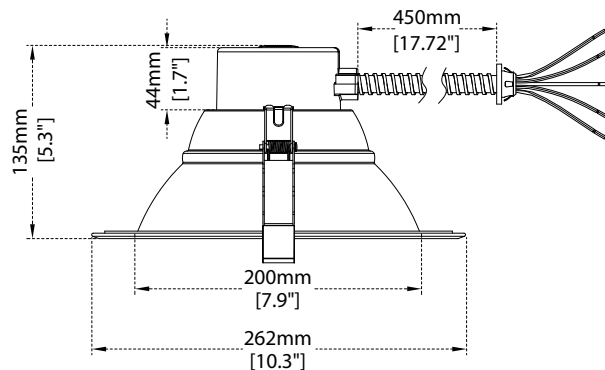
PRODUCT FEATURES

- Power Selectable: Adjust wattage between 16W / 22W / 26W / 30W / 35W
- CCT Selectable: Adjust CCT between 2700K / 3000K / 3500K / 4000K / 5000K
- Ambient operating temperature: -4°F (-20°C) to 104°F (40°C)
- PF>0.9, THD<20%
- 0-10V dimming
- Goof Ring and New Construction Plate available, sold separately
- Emergency Battery Backup available, sold separately

PRODUCT SPECIFICATIONS

Model Number	Input Voltage	CRI	Wattage(W)	Efficacy(LM/W)	Lumens(LM)
DR8T-35-T2-G2	120-277V	>80	16	100	1,600
			22		2,200
			26		2,600
			30		3,000
			35		3,500

PRODUCT DIMENSION



DR8T
8" DUO SELECTABLE RETROFIT DOWNLIGHT

FEATURES

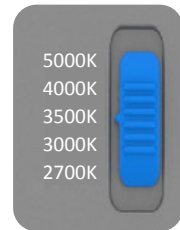
- Front IP54
- Aluminum lamp body
- Deep reflector design
- Low glare



- Power Box**
- PC material
 - Internal flicker free driver
 - 0-10V dimming

COLOR SELECT ADJUSTMENT SWITCH
Set dip switch to adjust CCT between 2700K, 3000K, 3500K, 4000K, and 5000K.

Spring installation
Can be installed in the junction box or can.



POWER SELECT ADJUSTMENT SWITCH
Set dip switch to adjust wattage between 16W, 22W, 26W, 30W and 35W.

Flexible steel conduit with 1/2" KO (3/8" Trade Size) snap in connector.

ACCESSORIES



GR-DR4-G2
Goof Ring 4"



GR-DR6-G2
Goof Ring 6"



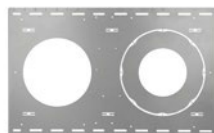
GR-DR8-G2
Goof Ring 8"



GR-DR10-G2
Goof Ring 10"



NCP-DR-G2-TG
New Construction or Remodel Plate for T-grid Ceilings



NCP-DR-G2-SJ
New Construction Plate for Stud/Joist Ceilings



Safety Lanyard



STB45FA-08WLi-170