



DR6T

**6" DUO SELECTABLE RETROFIT
DOWNLIGHT**

DR6T
6" DUO SELECTABLE RETROFIT DOWNLIGHT



DESCRIPTION

6" Retrofit Downlight / Power & CCT Selectable / 0-10V Dimming / 120-277Vac Input



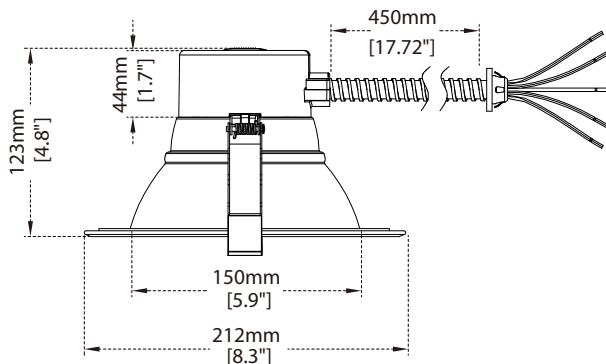
PRODUCT FEATURES

- Power Selectable: Adjust wattage between 12W / 16W / 22W / 26W / 30W
- CCT Selectable: Adjust CCT between 2700K / 3000K / 3500K / 4000K / 5000K
- Ambient operating temperature: -4°F (-20°C) to 104°F (40°C)
- PF>0.9, THD<20%
- 0-10V dimming
- Goof Ring and New Construction Plate available, sold separately
- Emergency Battery Backup available, sold separately

PRODUCT SPECIFICATIONS

Model Number	Input Voltage	CRI	Wattage(W)	Efficacy(LM/W)	Lumens(LM)
DR6T-30-T2-G2	120-277V	>80	12	100	1,200
			16		1,600
			22		2,200
			26		2,600
			30		3,000

PRODUCT DIMENSION



DR6T
6" DUO SELECTABLE RETROFIT DOWNLIGHT

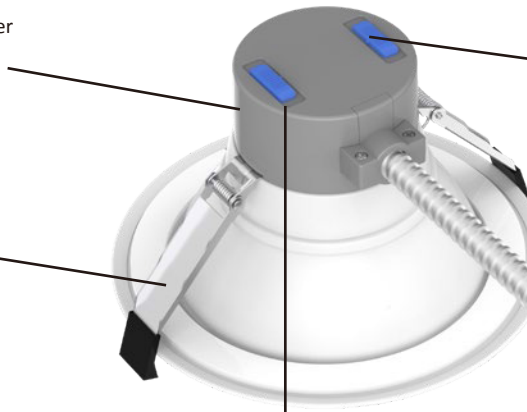
FEATURES

- Front IP54
- Aluminum lamp body
- Deep reflector design
- Low glare



Power Box

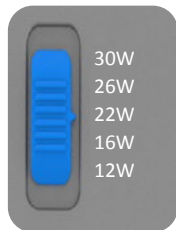
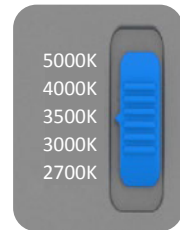
- PC material
- Internal flicker free driver
- 0-10V dimming



Spring installation
Can be installed in the junction box or can.

COLOR SELECT ADJUSTMENT SWITCH

Set dip switch to adjust CCT between 2700K, 3000K, 3500K, 4000K, and 5000K.



POWER SELECT ADJUSTMENT SWITCH
Set dip switch to adjust wattage between 12W, 16W, 22W, 26W and 30W.

Flexible steel conduit with 1/2" KO (3/8" Trade Size) snap in connector.

ACCESSORIES



GR-DR4-G2
Goof Ring 4"



GR-DR6-G2
Goof Ring 6"



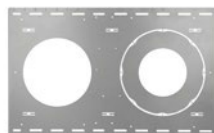
GR-DR8-G2
Goof Ring 8"



GR-DR10-G2
Goof Ring 10"



NCP-DR-G2-TG
New Construction or Remodel Plate for T-grid Ceilings



NCP-DR-G2-SJ
New Construction Plate for Stud/Joist Ceilings



Safety Lanyard



STB45FA-08WLi-170