

Keilton + autani

IFS108 Series Fixture Mounted Sensor



IFS108.A0

Description

The Keilton IFS108 series are designed for Luminaire Level Lighting Control (LLLC/ NLC5) with integrated daylight harvesting and PIR motion sensors which can convert a luminaire into a smart lighting fixture. The compact structure is designed for panel, troffer, strip, wrap and some architecture lighting fixtures. IFS108 is a low-voltage, luminaire mounted sensor equipped with the **AlgoH™** algorithm to maximise detection for applications without false triggers.

Features

- Integral Bluetooth
- PWM dimming available (IFS108.B1)
- Daylight Harvesting + PIR digital sensing technology
- Low-profile linear design with minimal height above luminaire
- 4-pin design enables color-tuning

Requirements

- Requires customized hole by tooling to install this sensor
- Requires a DC (sensor) cable (not included)
- Requires a Dim to OFF LED Driver with 12VDC output

Specifications

Input Voltage	DC 12V
Input Current	25mA Max
Input Power	0.3W
Output Current	10mA Max
Output Power	0.1W
Dimming	Class 2, 0-10V DC 10mA Max
Sinking Current	10mA Max
Bluetooth Transmit	100ft Max
Radio Frequency	2.4GHz ± 75MHz
Bluetooth Version	5.0
Housing Material	UL 94-5VA
Detection Range	40ft Max
Mounting Height	18ft Max
Indoor/Outdoor Use	Indoor Use Only
Operating Temperature	-30°C to 55°C, -22°F to 131°F
Storage Temperature	-30°C to 85°C, -22°F to 185°F
IP Rating	IP20
Color	White
Warranty	5 years warranty
Compliance	UL8750,UL1376,RoHS
Safety	cULus Recognized Component LED Controller E504054 FCC ID: 2A26YLTKTVT2021 DID: D057145 DLC: NLTRC5KLOTN

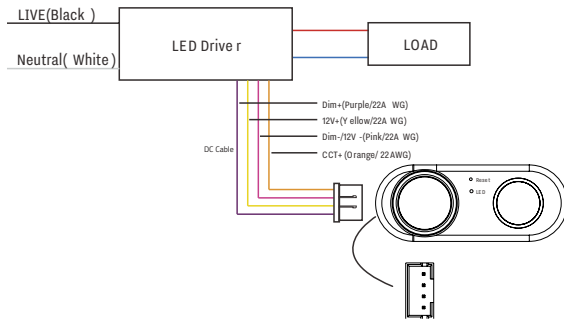
Ordering Information

Model	Description
IFS108.B1	Fixture Mounted Sensor Dual 0-10V, Daylight Harvesting, PIR, 5.0 BLE
IFS108.C1	Fixture Mounted Sensor Dual 0-10V+PWM Dimming Daylight Harvesting, PIR, 5.0 BLE

Ordering Information - Accessories

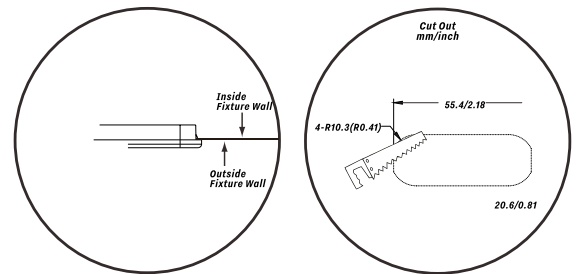
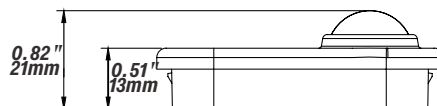
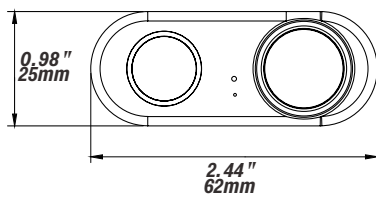
Model	Description
DC30	1007 22AWG 300V 80°C Length:300mm, PH2.0-4P on left side, dip tin 10mm on right side
DC60	1007 22AWG 300V 80°C Length:600mm, PH2.0-4P on left side, dip tin 10mm on right side
DC120	1007 22AWG 300V 80°C Length:1200mm, PH2.0-4P on left side, dip tin 10mm on right side

Wiring

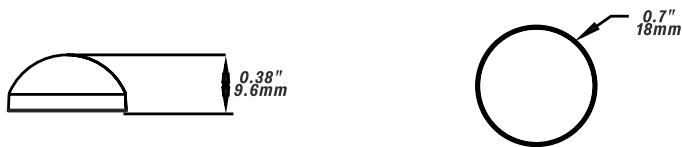


Dimensions

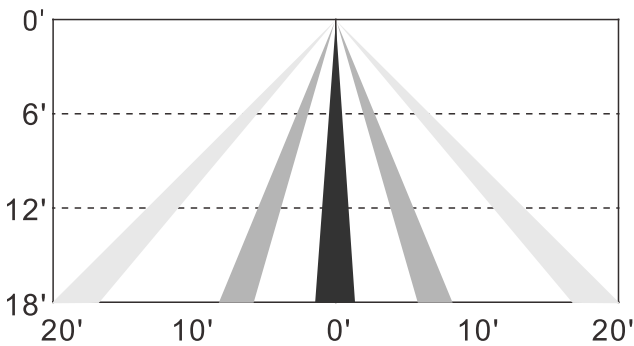
Unit: inch /mm



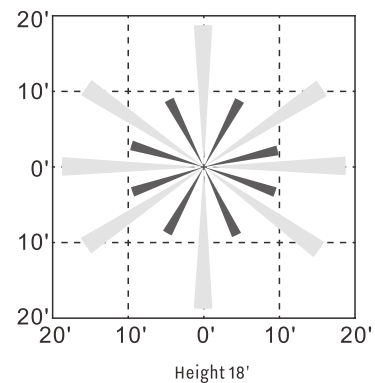
Coverage Patterns



Coverage Side View



Coverage Top View



Marketing


**Keilton
+ autani** IFS108.A0

Low bay sensor

Input: 12VDC 25mA 0.3W
Output: 10VDC 10mA 0.1W

Input Type Class 2
Output Type Class 2
Output Load Type Specific load- 0-10V interface
Damp locations

CALUS
E504054
LED Controller



Install guide

ORG	CCT+
PNK	GND
YEL	12V+
PUR	10V+

03-23

RESET
Reset Button is beside PIR lens

FCC Bluetooth
FCC ID: 2A29V LITEV22021

CE

RoHS
COMPLIANT

The Bluetooth word mark and logos are registered trademarks owned by Bluetooth SIG, Inc. and any use of such marks by LiteTrace is under license. Other trademarks and trade names are those of their respective owners.

App Download



Due to our continued efforts to improve our products, specifications are subject to change without notice.

Contact Us

7090 Columbia Gateway Drive, Columbia, MD 21046, USA

T: +1 202 630 7746

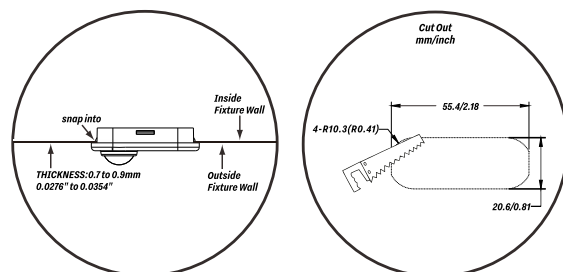
E: sales@litetrace.com

⚠ WARNING: May result in serious injury or death. Turn off power at circuit breaker before installing the unit.

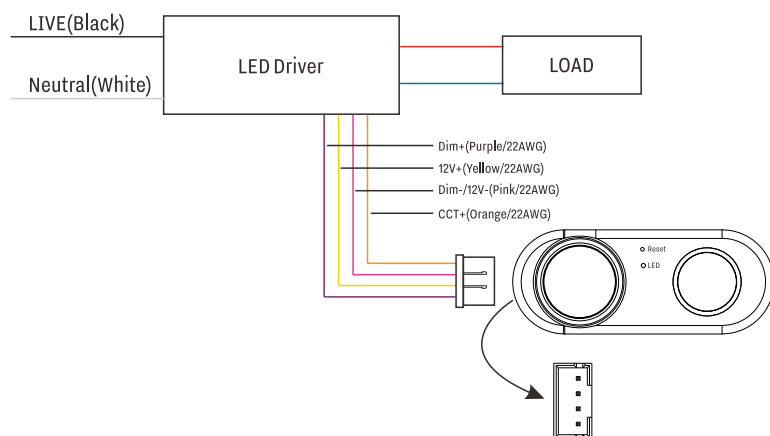
Attention: pour éviter un incendie, un choc électrique ou la mort. Coupez l'alimentation au disjoncteur ou au fusible et testez que l'alimentation est coupée avant le câblage

FEATURES

1. Please call a licensed electrician for installation.
2. The device requires oval die cut as shown right in the sheet metal.
3. Make sure the luminaire can be 0-10V dim to off, and the driver have AUX output.
4. Screw in the sensor into the receptacle and make sure the connection is tight.
Ensure the rubber gasket touches the outside surface of the fixture.
5. Attach the lens to sensor and turn the lens module clockwise to ensure it locks in place.
6. Please refer below diagram for Wiring.
7. Return power back to source.
8. Commissioned the sensor via Keilton App.



WIRING



TIPS: This Bluetooth device is compatible with Keilton lighting control system only.

How to Install Keilton APP?

Scan below QR code for downloading the APP.



How to Control Lights with a Phone?

Scan to download Keilton APP instruction



WARRANTY INFORMATION

Our company warrants this product to be free of defects in materials and workmanship for a period of five(5) years. There are no obligations or liabilities on the part of our company for consequential damages arising out of, or in connection with, the use or performance of this product or other indirect damages with respect to loss of property, revenue or profit, or cost of removal, installation or reinstallation.

Contact: sales@litetrace.com