

G2

DUO TROFFER GEN 2

DUO Selectable Low Profile Troffer

ECRT DUO Selectable Low Profile Troffer



DESCRIPTION

LED TROFFER | 1X4 & 2X2 & 2X4 | Power&CCT Selectable
| 120-277V | 0-10V Dimming



PRODUCT FEATURES

- Low profile, low glare, low flicker, classic design
- Ambient operating temperature: -20°C(-4°F) to 50°C(122°F)
- THD<20%, Power Factor>0.97
- Emergency backup options available
- Stand Alone Fixture Control(SAFC) options available
- BLE Mesh Control (LLLC) and Circuit Level control (LALC) options available
- Surface mount kit available
- L70>100,000 hrs, 5 year limited warranty

* Control and EM options are sold separately, lead time and extra cost may apply
* Surface mount kit are sold separately

POWER SELECTABILITY

- Feature Power Selectable Techology: Adjust wattage between 20W/25W/30W(1X4), 20W/25W/30W(2X2), 25W/30W/35W(2X4)
- Feature CCT Selectable Technology: Adjust CCT Between 3500K/4000K/5000K

PRODUCT SPECIFICATIONS

Part Number	Input Voltage	Nominal Wattage(W)	3500K			4000K			5000K		
			Wattage (W)	Efficacy (LM/W)	Lumens (LM)	Wattage (W)	Efficacy (LM/W)	Lumens (LM)	Wattage (W)	Efficacy (LM/W)	Lumens (LM)
ECRT22-20W-T1-R0-R1	120-277V	30	28.9	132.8	3,839	27.8	144.6	4,020	28.8	134.5	3,875
		25	23.7	136.8	3,241	22.9	147.5	3,377	23.7	138.5	3,283
		20	19.0	140.1	2,661	18.5	149.2	2,760	19.1	142.0	2,713
ECRT24-25W-T1-R0-R1	120-277V	35	34.5	124.9	4,308	32.7	139.5	4,561	34	126.4	4,298
		30	29.4	128.9	3,789	27.9	142.5	3,977	29	130.6	3,788
		25	24.2	132.9	3,217	23.2	145.1	3,367	24	134.4	3,225
ECRT14-20W-T1-R0	120-277V	30	29.1	129.7	3,781	28.1	143.8	4,046	29.1	131.2	3,824
		25	23.9	134.8	3,223	23.9	148.3	3,544	23.9	140.2	3,351
		20	19.3	139.4	2,687	19.3	153.3	2,959	19.3	145.0	2,798

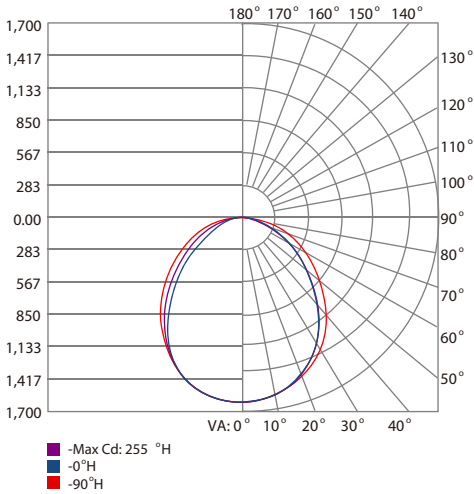
* Data for 2x2 and 2x4 troffer is based on in-house IES data
* Data for 1x4 troffer is based on in-house IES data and extrapolated data
* DLC reported data is based on worst case(lowest CCT, highest wattage)

ECRT

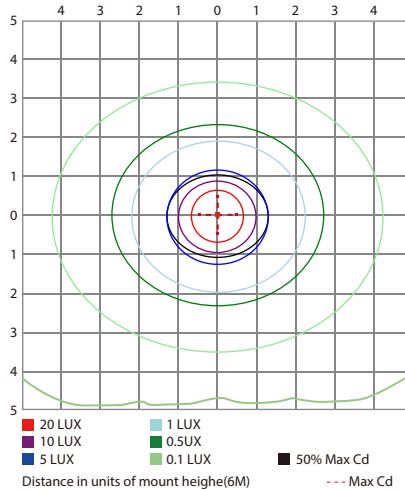
DUO Selectable Low Profile Troffer

PHOTOMETRIC SPECIFICATIONS

POLA CANDELA DISTRIBUTION



ISO ILLUMINANCE



ZONAL LUMEN SUMMARY

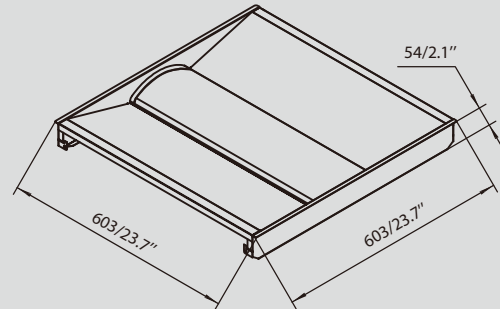
Zone	Lumens	% Lamp	% Luminaire
0-30	1,220.4	30.40%	30.40%
0-40	1,960.0	48.8%	48.8%
0-60	3,262.4	81.2%	81.2%
60-90	755.9	18.8%	18.8%
70-100	332.1	8.3%	8.3%
90-120	0.8	0%	0%
0-90	4,018.2	100%	100%
90-180	1.9	0%	0%
0-180	4020.1	100%	100%

PHYSICAL SPECIFICATIONS

PACKAGING

Dimensions				
PART NO.	SCALE	LENGTH	WIDTH	DEPTH
ECRT22	inch	23.7	23.7	2.1
	mm	603	603	54

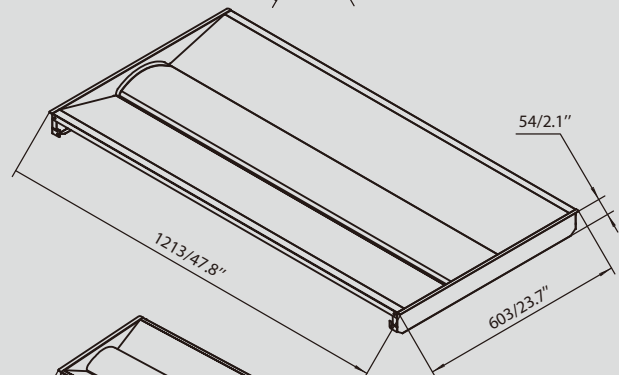
Recorded in inches



PACKAGING

Dimensions				
PART NO.	SCALE	LENGTH	WIDTH	DEPTH
ECRT24	inch	47.8	23.7	2.1
	mm	1213	603	54

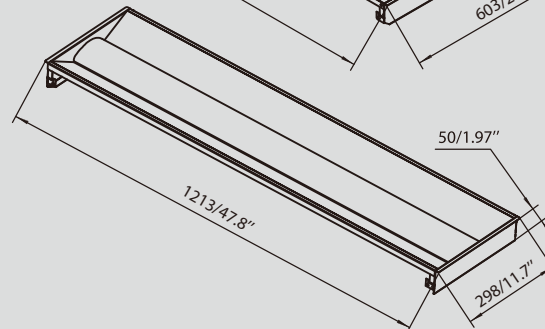
Recorded in inches



PACKAGING

Dimensions				
PART NO.	SCALE	LENGTH	WIDTH	DEPTH
ECRT14	inch	47.8	11.7	1.97
	mm	1213	298	50

Recorded in inches



ECRT
DUO Selectable Low Profile Troffer

DUO SELECTABLE TECHNOLOGY AND PLUG-AND-PLAY SENSOR

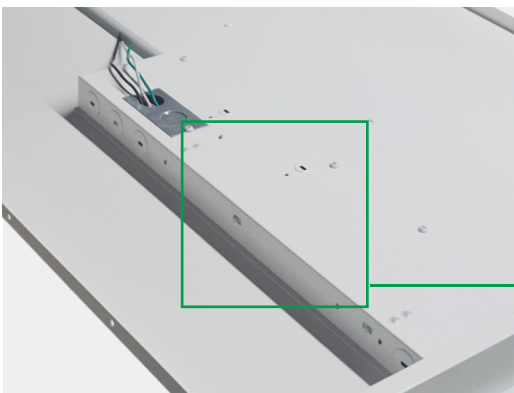
This fixture is equipped with field-adjustable Power Select technology.

1. Ensure power is off to the fixture.
2. Open the driver compartment located on the underside of the fixture.
3. Adjust switches to desired settings.



PLUG AND PLAY MICROWAVE SENSOR

With pre-installed receptacle, microwave sensor can be added on site to save labor cost.

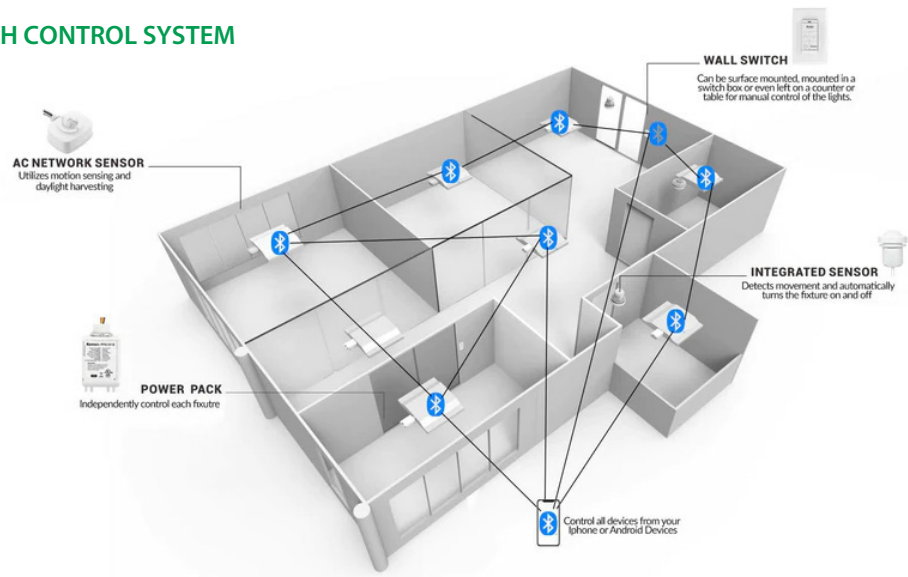


POWER & CCT SELECTABLE

Wattage and CCT can be easily adjusted via the DIP switch on the driver box.



COMPATIBLE WITH BLE MESH CONTROL SYSTEM



ECRT DUO Selectable Low Profile Troffer

ADDITIONAL ACCESSORIES (SOLD SEPARATELY)

ATG CODE	MODEL NUMBER	DESCRIPTION
SI	IFS06R	PIR Occupancy Sensor, 12VDC, with Daylight Harvesting Function
ST	ANT-15P	PIR Occupancy Sensor, 12VDC, with Daylight Harvesting Function *Recommended*
CJ	RM51	Remote for IFS06R & IFS108-BH4
R1	RC-100	Remote for ANT-15P
E7	EMH-08170-FY	Emergency Backup, 120-277VAC input, Emergency Output: 8W, with Li-ion Battery
EK	STB45FA-08WLi-170	Emergency Backup, 120-277VAC input, Emergency Output: 8W, with Li-ion Battery
SMK22	HAC-CLMB0-0600A0-RS	Surface Mount Kit for 2x2 Troffer
SMK24	HAC-CLMB0-0612A0-RS	Surface Mount Kit for 2x4 Troffer
B1	IFS108	Bluetooth & PIR Motion Sensor, Daylight Harvesting Enabled, 12VDC
WS1	WP1013	Bluetooth Wireless Wall Switch, 3-Key, Battery Powered
WS2	WP1013S	Bluetooth Line Voltage Wall Switch, 3-Key, 120-277VAC
WS3	WP1017S	Bluetooth Line Voltage Wall Switch, 7-Key, 120-277VAC
WS4	WP1025	Bluetooth Wireless Wall Switch, 5-Key, Battery Powered
P1	PPA102S	Line Voltage 6A Bluetooth Fixture Controller

SENSOR & EMERGENCY DRIVER



ANT-15P ***Recommended***



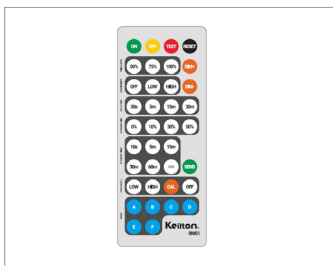
IFS06R



EMH-08170-FY



RC-100



RM51



IFS108



WP1013



WP1013S



WP1017S



WP1025



PPA102S.C2



STB45FA-08WLi-170

ECRT

DUO Selectable Low Profile Troffer

ORDER FORMAT

EXAMPLE:ECRT22-20W-T1-R0-R1

Series	Size	Wattage	CCT	Driver	Option
ECRT					
ECRT	22=2'X2'	20W= 20W/25W/30W Selectable	T1=3500K/4000K/5000K Selectable	Blank=100-277VAC, without 12VDC AUX	Blank=without receptacle
	24=2'X4'	25W= 25W/30W/35W Selectable		R0=100-277VAC, with 12VDC AUX	R1=receptacle pre-installed
	14=1'X4'	20W= 20W/25W/30W Selectable			

* PLS SEE BELOW PAGE FOR QUICK ORDERING GUIDE

QUICK ORDERING GUIDE

	Part Number	Description	QUICK SHIPPING*
✓	ECRT24-25W-T1-R0-R1	G2 DUO LED Troffer, CCT&Power Switchable, 2x4, 3500K/4000K/5000K, 25W/30W/35W, 100-277VAC, Slim Version, with 12VDC AUX & Receptacle	✓
	ECRT22-20W-T1-R0-R1	G2 DUO LED Troffer, CCT&Power Switchable, 2x2, 3500K/4000K/5000K, 20W/25W/30W, 100-277VAC, Slim Version, with 12VDC AUX & Receptacle	✓
	ECRT14-20W-T1-R0	G2 DUO LED Troffer, CCT&Power Switchable, 1x4, 3500K/4000K/5000K, 20W/25W/30W, 100-277VAC, Slim Version, with 12VDC AUX	✓
	ANT-15P	Bi-Level PIR Sensor, 12~24VDC	✓
	RC-100	Remote for ANT-15P	✓
	STB45FA-08WLi-170	Emergency Backup	✓
	EMH-08170-FY	Emergency Backup CLEARANCE	✓
	IFS108	Bluetooth & PIR Motion Sensor, Daylight Harvesting Enabled, 12VDC	✓
	WP1013	Bluetooth Wireless Wall Switch, 3-Key, Battery Powered	✓
	WP1013S	Bluetooth Line Voltage Wall Switch, 3-Key, 120-277VAC	✓
	WP1017S	Bluetooth Line Voltage Wall Switch, 7-Key, 120-277VAC	✓
	WP1025	Bluetooth Wireless Wall Switch, 5-Key, Battery Powered	✓
	PPA1025	Line Voltage 6A Bluetooth Fixture Controller	✓

* QUICK SHIPPING means this is a inventory product, please contact our sales for realtime stock information.