



With high efficacy and precision-engineered polycarbonate lenses, Ultra Sports Light delivers maximum value by providing significant energy savings, long life and outstanding photometric performance at an affordable price.

Project Details		Type
Project:		
Product:		
Prepared by:		
Notes:		

Product Highlights
<ul style="list-style-type: none"> <li>• Professional Optical Design w/Multiple Beam Angles Available</li> <li>• Textured Architectural Powder Coat Finish</li> <li>• Available in 400,500,600,750,1000,1200-watts</li> <li>• Wired DMX and Wireless Control Solutions Available</li> </ul>

Product Specs	
Input Voltage (VAC)	100-277 / 277-480 VAC
Wattage	400, 500, 600, 750, 1000,1200-watts
CCT (K)	4000, 5000
Projected Lifetime	See Lumen Maintenance Table
Limited Warranty	5 Years <sup>†</sup>
CRI	70+
Finish Color	Black, Custom
Construction	Die Cast Aluminum Body, PC Lenses
Operating Temperature	-40° C to 45° C
IP Rating	IP65
Surge Protection	DM 6kV standard, 10kV Optional

**Certifications and Compatibilities**

ORDER FORMAT									
SP2	-	-	-	-	-	-	-	-	.....

Series	Wattage	CCT	Voltage	Beam Angle	Photocell	SPD	.....	Options
SP2	40=400W 50=500W 60=600W 75=750W 100=1000W 120=1200W	40=4000K 50=5000K 00=RGB	Blank=120-277VAC V=347-480VAC	20D=20° 30D=30° 40D=40° 60D=60° 80D=80° 120D=120°	R3 R7 P1 P2 P4	BLANK SP1 SP2		VS1 VS2 VS3 C3N C7N LS SF1 SF2

Optional Accessory List		
Order Code	Part Number	Descriptions
SF1	MSF-UR2-01	Slipfitter for 400W/500W
SF2	MSF-UR2-02	Slipfitter for 600W/750W/1000W/1200W
VS1	VSR-UR2-01	Visor for 400W/500W
VS2	VSR-UR2-02	Visor for 600W/750W
VS3	VSR-UR2-03	Visor for 1000W/1200W
P1	JL-207C	3-pin Photocell,120-277VAC,including base
P2	JL-207F	3-pin Photocell,480VAC,including base
P4	JL-403C	7-pin Photocell,120-277VAC,including base
LS	LSD-UR2-00	Laser Pointer
R3	---	3-Pin Receptacle
R7	---	7-Pin Receptacle
C3N	---	Shorting Cap for 3-Pin Receptacle
C7N	---	Shorting Cap for 7-Pin Receptacle
SP1	---	Surge protector, 10KV
SP2	---	Surge protector, 20KV

## Performance Chart

	Watts			Efficacy			Lumens		
	Watts	Efficacy	Lumens	Watts	Efficacy	Lumens	Watts	Efficacy	Lumens
SP2-40	4000K 30° (4H4V)			5000K 30° (4H4V)					
	401	136.3	54,649	401	140.4	56,288			
	4000K 40° (5H5V)			5000K 40° (5H5V)					
	402	136.0	54,679	402	140.1	56,319			
	4000K 60° (5H5V)			5000K 60° (5H5V)					
	404	135.1	54,585	404	139.2	56,223			
	4000K 80° (6H6V)			5000K 80° (6H6V)					
	404	137.0	55,365	404	141.2	57,026			
	4000K 120° (7H7V)			5000K 120° (7H7V)					
405	133.0	53,879	405	137.0	55,495				
SP2-50	4000K 30° (4H4V)			5000K 30° (4H4V)					
	508	138.0	70,081	508	142.1	72,183			
	4000K 40° (5H5V)			5000K 40° (5HV)					
	508	137.8	70,005	508	141.9	72,105			
	4000K 60° (5H5V)			5000K 60° (5H5V)					
	500	137.3	68,585	500	141.4	70,713			
	4000K 80° (6H6V)			5000K 80° (6H6V)					
	504	137.1	69,065	504	141.2	71,152			
	4000K 120° (7H7V)			5000K 120° (7H7V)					
501	132.9	66,579	501	136.9	68,577				
SP2-60	4000K 20° (3H3V)			5000K 20° (3H3V)					
	609	136.5	83,173	609.2	140.6	85,668			
	4000K 30° (4H4V)			5000K 30° (4H4V)					
	613	136.8	83,791	612.7	140.9	86,305			
	4000K 40° (5H5V)			5000K 40° (5H5V)					
	616	136.7	84,183	615.79	140.8	86,709			
	4000K 60° (5H5V)			5000K 60° (5H5V)					
	605	136.5	82,605	605.29	140.6	85,083			
	4000K 80° (6H6V)			5000K 80° (6H6V)					
604	137.3	82,884	603.7	141.4	85,371				
SP2-75	4000K 20° (3H3V)			5000K 20° (3H3V)					
	757	147.4	111,566	757	151.8	114,913			
	4000K 30° (4H4V)			5000K 30° (4H4V)					
	767	146.5	112,312	767	150.9	115,681			
	4000K 40° (5H5V)			5000K 40° (5H5V)					
	771	150.2	115,858	771	154.7	119,334			
	4000K 60° (5H5V)			5000K 60° (5H5V)					
	762	144.9	110,475	762	149.3	113,789			
	4000K 80° (6H6V)			5000K 80° (6H6V)					
761	148.4	112,897	761	152.8	116,284				

DLC Product ID	DLC Part Number	Catalog Part Number
S-MFHT0D	SP2-60-40-V-40D-[Blank,X for photocell/receptacle]-[Blank,SP1,SP2]	SP2-60-40-V-40D
S-VN6GZA	SP2-60-45-V-40D-[Blank,X for photocell/receptacle]-[Blank,SP1,SP2]	SP2-60-45-V-40D
S-U4YDMN	SP2-60-50-V-40D-[Blank,X for photocell/receptacle]-[Blank,SP1,SP2]	SP2-60-50-V-40D
S-HRNMVF	SP2-60-57-V-40D-[Blank,X for photocell/receptacle]-[Blank,SP1,SP2]	SP2-60-57-V-40D
S-97B8C3	SP2-100-40-V-40D-[Blank,X for photocell/receptacle]-[Blank,SP1,SP2]	SP2-100-40-V-40D
S-5LNPMMH	SP2-100-45-V-40D-[Blank,X for photocell/receptacle]-[Blank,SP1,SP2]	SP2-100-45-V-40D
S-7XM8P2	SP2-100-50-V-40D-[Blank,X for photocell/receptacle]-[Blank,SP1,SP2]	SP2-100-50-V-40D
S-9KDALU	SP2-100-57-V-40D-[Blank,X for photocell/receptacle]-[Blank,SP1,SP2]	SP2-100-57-V-40D

\*DLC is on request for sports light family, please contact our sales for more information.

## Performance Chart

	Watts			Efficacy			Lumens		
	Watts	Efficacy	Lumens	Watts	Efficacy	Lumens	Watts	Efficacy	Lumens
SP2-100	4000K 20° (3H3V)			5000K 20° (3H3V)					
	998	144.6	144,296	998.2	148.9	148,625			
	4000K 30° (4H4V)			5000K 30° (4H4V)					
	994	140.2	139,269	993.7	144.4	143,447			
	4000K 40° (5H5V)			5000K 40° (5H5V)					
	997	138.6	138,217	996.9	142.8	142,363			
SP2-120	Watts			Efficacy			Lumens		
	4000K 20° (3H3V)			5000K 20° (3H3V)					
	1207	136.9	165,296	1207	141.0	170,255			
	4000K 30° (4H4V)			5000K 30° (4H4V)					
	1238	141.9	175,725	1238	146.2	180,997			
	4000K 40° (5H5V)			5000K 40° (5H5V)					
1208	135.1	163,217	1208	139.2	168,113				

\*4000K data is based on in-house tested IES files, 5000K data is extrapolated data with a factor of 1.03

## Electrical Data

	Current (120V)	Current (277V)	Current (347V)	Current (480V)	Surge Protection
SP2-40	3.35A	1.34A	1.14A	0.83A	L/N-PE: 10kV, L-N: 6kV
SP2-50	4.13A	1.79A	1.43A	1.03A	L/N-PE: 10kV, L-N: 6kV
SP2-60	4.95A	2.14A	1.71A	1.24A	L/N-PE: 10kV, L-N: 6kV
SP2-75	6.19A	2.68A	2.14A	1.55A	L/N-PE: 10kV, L-N: 6kV
SP2-100	8.25A	3.57A	2.85A	2.06A	L/N-PE: 10kV, L-N: 6kV
SP2-120	9.9A	4.29A	3.42A	2.48A	L/N-PE: 10kV, L-N: 6kV

## Optical Information

	CCT	CRI	Optics	BUG w/Visor
SP2-40	4000K/5000K	70+	30° /40° /60° /80° /120°	B5-U0-G2
SP2-50	4000K/5000K	70+	30° /40° /60° /80° /120°	B5-U0-G3
SP2-60	4000K/5000K	70+	20° /30° /40° /60° /80°	B5-U0-G5
SP2-75	4000K/5000K	70+	20° /30° /40° /60° /80°	B5-U0-G5
SP2-100	4000K/5000K	70+	20° /30° /40°	B5-U0-G5
SP2-120	4000K/5000K	70+	20° /30° /40°	B5-U0-G5

## EPA

	0° Tilt(Yoke)	90° Tilt(Yoke)	0° Tilt(Slipfitter)	90° Tilt(Slipfitter)
SP2-40	1.2 ft <sup>2</sup>	1.6 ft <sup>2</sup>	1.1 ft <sup>2</sup>	1.4 ft <sup>2</sup>
SP2-50	1.2 ft <sup>2</sup>	1.6 ft <sup>2</sup>	1.1 ft <sup>2</sup>	1.4 ft <sup>2</sup>
SP2-60	1.7 ft <sup>2</sup>	2.4 ft <sup>2</sup>	1.8 ft <sup>2</sup>	2.6 ft <sup>2</sup>
SP2-75	1.7 ft <sup>2</sup>	2.4 ft <sup>2</sup>	1.8 ft <sup>2</sup>	2.6 ft <sup>2</sup>
SP2-100	1.9 ft <sup>2</sup>	3.1 ft <sup>2</sup>	2.0 ft <sup>2</sup>	3.3 ft <sup>2</sup>
SP2-120	1.9 ft <sup>2</sup>	3.1 ft <sup>2</sup>	2.0 ft <sup>2</sup>	3.3 ft <sup>2</sup>

## Lumen Maintenance Chart for Ultra G2

Ambient Test Temp	Reported Hrs	0 Hrs	25,000 Hrs	50,000 Hrs	TM-21-11 60000	100,000 Hrs	L70 Hrs
25° C/77° F	> 60000	1	0.951	0.901	0.8824	0.81	169,000

**SLIPFITTER**



**VISOR**

used to reduce glare



**Note**

Screws included in package.

**LASER POINTER**

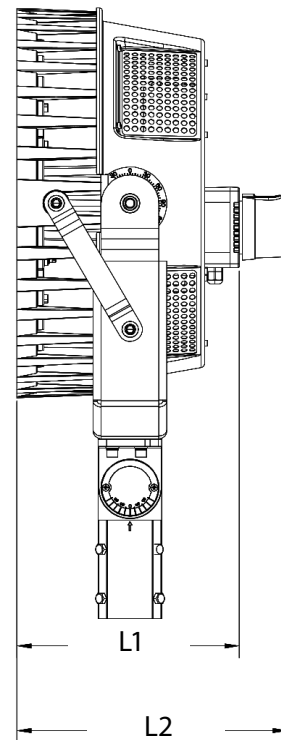
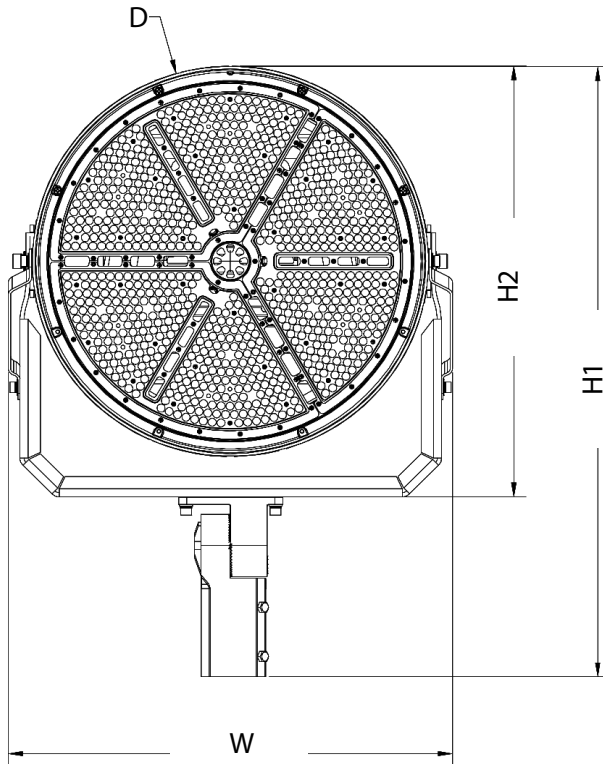
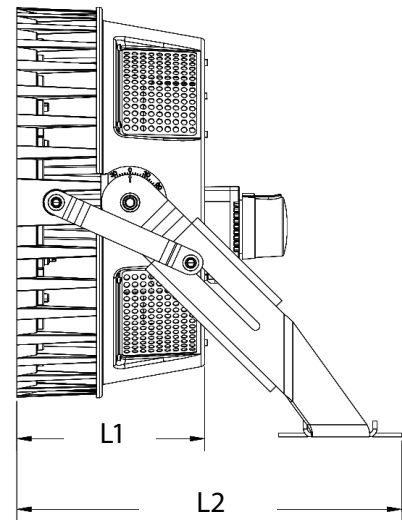
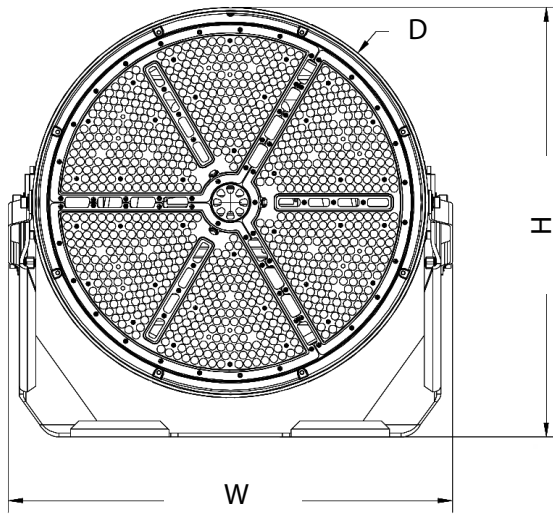
used to accurately aim the fixture to the desired location



**Note**

Laser pointer is an optional accessory.

## Dimensions 600W-750W



MODELS	Yoke Mount				
	L1	L2	H	D	W
400W/500W	236mm/9.3"	403mm/15.9"	410mm/16.1"	Φ375mm/14.8"	410mm/16.2"
600W/750W	229mm/9"	469mm/18.5"	533mm/20.9"	Φ483mm/19"	542mm/21.3"
1000W.1200W	246mm/9.7"	501mm/19.8"	571mm/22.5"	Φ521mm/20.5"	579mm/22.8"

MODELS	Slipfitter					
	L1	L2	H1	H2	D	W
400W/500W	240mm/9.4"	274mm/10.8"	589mm/23.2"	366mm/14.4"	Φ375mm/14.8"	375mm/14.8"
600W/750W	271mm/10.7"	330mm/13"	756mm/29.8"	534mm/21"	Φ483mm/19"	542mm/21.3"
1000W.1200W	295mm/11.6"	354mm/13.9"	795mm/31.3"	572mm/22.5"	Φ521mm/20.5"	579mm/22.8"

## 5 Year Warranty

ATG Electronics®

Industry Leading 5 Year Limited Warranty

For North American LED Lighting Fixtures

ATG Electronics warrants to the original purchaser of ATG Electronics Domestic LED products listed above that were manufactured for which the ATG Electronics Spec Sheet located on our website contains the words "5 year limited warranty" that, subject to the below terms and conditions of this warranty, when such LED products are properly installed they will comply with ATG Electronics published product specifications for such products and will be free from material defects in material and workmanship for a period of five (5) years from the date of sale by ATG Electronics, or, if lesser, 50,000 hours of operation (at an average of 13.6 hours per day operation). The LED arrays in the Product(s) will be considered defective in material or workmanship only if a total of 15% or more of the individual light emitting diodes in the Product(s) fail to illuminate.

The above express limited warranty is extended by ATG Electronics® only to the original or first end-user purchaser and only for the original installed location. This warranty only applies to products purchased after June 1, 2017. This warranty is non-transferrable, whether by assignment or operation of law. The original purchaser must provide warranty claims to ATG Electronics within the warranty period promptly upon discovery and in accordance with ATG Electronics Return and Repair Procedures as outlined within this document.

Should any defects be found by ATG Electronics upon its inspection of the properly returned product, ATG Electronics sole responsibility and liability under this warranty will be, at its option, to either repair or replace the defective part or parts or else make available a new replacement unit that will provide equal or better performance. All decisions regarding the existence or non-existence of defects or otherwise affecting the warranty shall be made by ATG ELECTRONICS and shall be final and binding on all parties. Where a defective LED product is replaced under this warranty, the balance of the original warranty period shall remain effective.

### Conditions and Exclusions

This warranty is conditioned upon proper installation, use and maintenance. This warranty will automatically become null and void and shall not be applicable to any LED fixture which (i) has not been timely paid for, (ii) is not installed and operated in accordance with the current edition of The National Electric Code (NEC), the Standards for Safety of Underwriters' Laboratory, Inc. (UL) or with ATG Electronics instructions and guidelines, (iii) has been moved from its original installation, (iv) has been installed within an area that has exposure to sulfur or any area with high acidic compounds in use, (v) has been operated in an ambient temperature or humidity that is higher than the stated ambient operating range from datasheets, (vi) has been subjected to a lightning strike, power surge or overvoltage condition, (vii) has its LED Board subjected to static electricity due to failure to discharge same prior to connecting or disconnecting the lead from the LED board, (viii) was not installed and/or operated in accordance with ATG Electronics instructions and guidelines, (ix) has been mishandled, misused, abused, tampered with, modified or altered by anyone other than ATG ELECTRONICS, (x) has been subjected to abnormal stresses and operating conditions, or (xi) has been operated without overvoltage and lightning protection devices in place.

### Limitations

#### Disclaimers & Limitations of Liability

The foregoing warranty is exclusive of all other statutory, written or oral warranties and no other warranties of any kind, statutory, by operation of law or course of performance, or otherwise, are given, herein expressed or otherwise received. EXCEPT AS EXPRESSLY PROVIDED ABOVE, ATG ELECTRONICS DISCLAIMS ALL REPRESENTATIONS, WARRANTIES AND CONDITIONS OF ANY KIND, EXPRESS OR IMPLIED, REGARDING THE LED PRODUCTS AND ITS SERVICES, INCLUDING, WITHOUT LIMITATION, THE IMPLIED WARRANTIES OF MERCHANTABILITY AND FITNESS FOR A PARTICULAR USE OR PURPOSE.

**LIMITATION OF LIABILITY.** Other than the obligation to repair or replace as provided above, ATG Electronics shall have no liability for any losses, expenses or damages as a result of the installation, use, inability to use, removal or replacement of any LED product. ATG Electronics will not under any circumstances whether as a result of breach of contract, breach of warranty, tort, strict liability or otherwise be liable for consequential, incidental, special or exemplary damages including but not limited to, loss of profits or revenues, loss of any other goods or associated equipment or damage to any associated equipment, cost of capital, cost of substitute products, facilities or services, down time cost or claims of claimant's customers. ATG Electronics liability on any claim of any kind for any loss or damages arising out of, resulting from or concerning any LED product, any aspect of this warranty or for any products or services furnished hereunder shall not exceed the price of the fixture which gives rise to the claim.

### Return and Repair Procedures

All warranty requests and or questions are to be directed to ATG Electronics Customer Service Department (CSD) at 888-618-7298. If deemed necessary, the CSD will issue a Returned Merchandise Authorization (RMA) number which must be included on both the packing slip of the component or fixture being returned and on the outside of the box. You must include your name and contact information, including your email address, on the packing slip so that we can contact you easily. Each component or fixture must be packaged very carefully and properly so as to prevent damages in shipment and must be shipped freight prepaid. Please obtain a proof of delivery to ensure that the material is received.

Once the component or fixture has been received and tested, an evaluation report will be provided to the end user via email. This report will clarify the following:

- A) The component / fixture is covered under the warranty policy and will either be repaired or replaced.
- B) The component / fixture is not covered under the warranty policy and the reason for this determination.

If ATG ELECTRONICS determines that the component or fixture is covered under the warranty, then the appropriate repairs will be started or a replacement fixture will be manufactured and shipped. Please note that in the event the returned component or fixture is found not to be covered under this warranty, you may be subject to a labor charge for the evaluation process and will be responsible for all return shipping charges and fees. For components and fixtures determined to be covered under this warranty prior to the first anniversary of the Sale Date, the repaired or replacement component or fixture will be returned to you at no charge. You will be responsible for all other shipping charges.

### No Labor Reimbursement

All components and fixtures determined to be covered by this warranty as provided above, will be repaired or replaced at no charge to the customer, however, except as expressly provided above with respect to recessed and linear fixtures during the first year, the customer must hire and pay for an electrician to remove and reinstall such components and fixtures. No labor costs will be covered for the removal or reinstallation of any components or fixtures. The warranty does not cover modifications, repairs or replacements, or the related labor or materials costs, that may be necessary to facilities or third party products in connection with the removal, repair, or replacement of any LED product under this warranty.