

Wireless Line Voltage Fixture and Room Controllers

Overview

- 100-277VAC Input Voltage
- Wireless Bluetooth mesh
- 0-10V Output to LED Driver
- Power metering with +/-1% accuracy (PSC-WCM-X50-XXX)
- Zero-Crossing
- IP20 Rated
- 12Vaux Power (PSC-WCM-X50-XXX)
- Sensor Input (PSC-WCM-X50-XXX)
- UL60730, UL2043 Pending



Applications

The Wireless Line Voltage Fixture and Room Controller allows for 0-10V Output to LED Driver, and is made to fit into a Bluetooth mesh system.

For input voltage of 100-277VAC, this unit is controlled wirelessly via Bluetooth® Mesh module allowing for wireless dimming of LED lighting and seamless integration of Bluetooth® Mesh software solutions. The small physical size allows for this unit to be placed within the fixture, it also comes with threaded nipple for junction box mounting when required.

The PSC-WCM-350-XXX and PSC-WCM-450-XXX offer additional features, including 12aux 300mA power supply, power metering, and sensor input.



How to Order

Model No.	Description	Input Voltage	Relay	Dimming Output	Aux. Output	Sensor Input
PSC-WCM-350-XXX	Wireless Line Voltage Fixture Controller w/ Power Meter	100-277VAC	10A	0-10V, 3mA	12V,300mA	YES
PSC-WCM-450-XXX	Wireless Line Voltage Room Controller w/ Power Meter	100-277VAC	16A	0-10V, 3mA	12V,300mA	YES

Where “-XXX” must be indicated for wireless options:

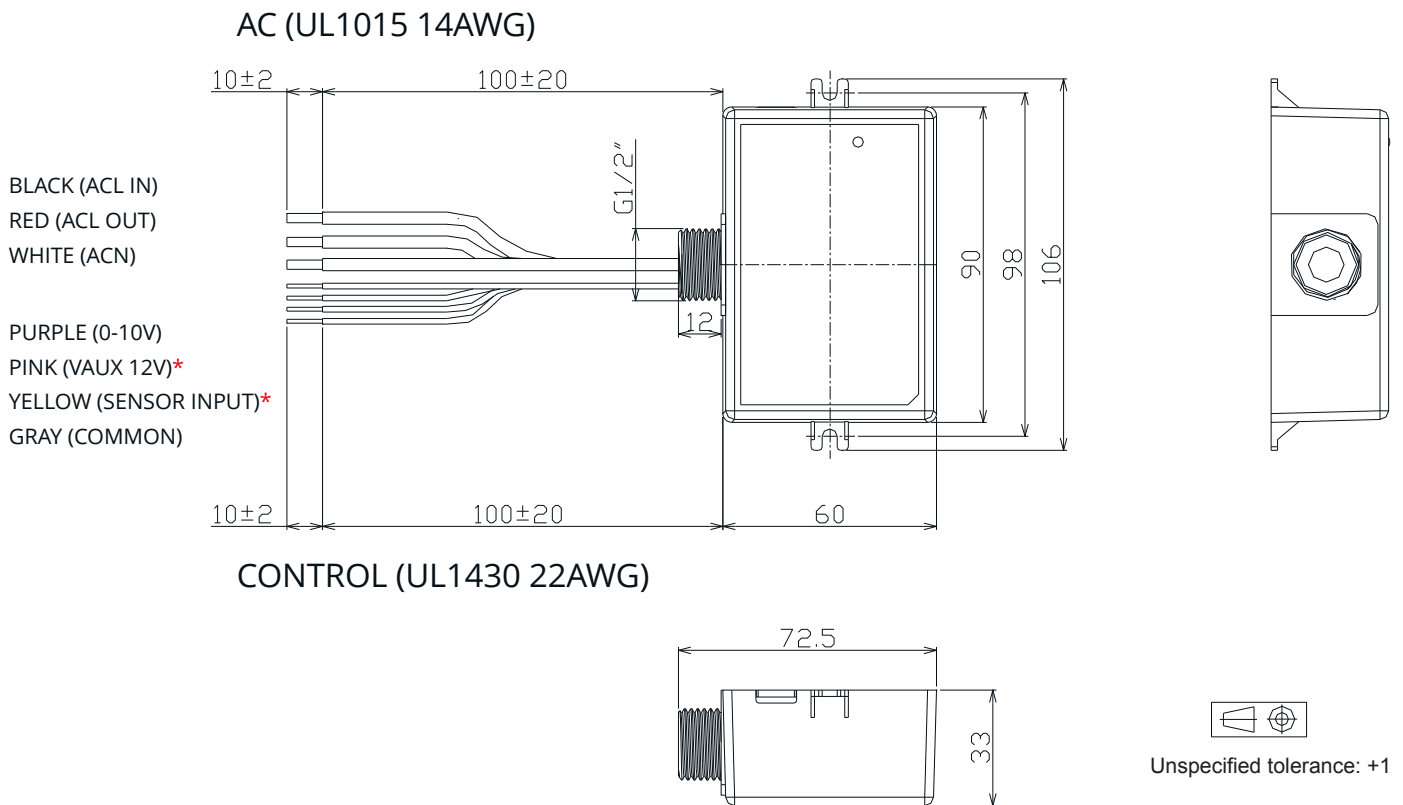
-BLE-SR / -BLE-FSR	For Bluetooth Mesh in TruBlu™ Enabled Version / For Bluetooth Mesh in Future-Silvair Enabled Version
--------------------	--

e.g. **PSC-WCM-300-BLE-SR** : with Bluetooth Mesh in TruBlu™ Enabled Version

Summary	
Product Type	Wireless Line Voltage Fixture and Room Controller
Input Voltage	100-277VAC 50/60Hz
Load (10A Relay)	@120/277Vac 720W, incandescent @120/277Vac 10A, electronic ballast
Load (16A Relay)	@120/277Vac 1200W, incandescent @120/277Vac 16A, electronic ballast
0-10V Dimming	3 mA sink
Max Bluetooth Range*	49 ~ 65ft (15 ~ 20m)
Operating Temperature	-40° C to 70°C
Storage Temperature	-40° C to 85°C
Relative Humidity	90-95% non-condensing at 30°C
Mounting	Fixture or ceiling mount
Color	White

*Bluetooth Range is highly dependent on the integration of fixtures, surrounding environment and conditions. It is recommended to conduct testing for range accuracy.

Physical Dimensions



* Pink and Yellow Leads on PSC-WCM-350(-XXX) and PSC-WCM-450(-XXX) only.

Drawings are Not to Scale