



Product Specs	
Rated Voltage	120-277VAC
Rated Frequency	50/60Hz
Rated Loading	500W Tungsten, 850VA Ballast, 5A E-Ballast
Power Consumption	2W
Operate Level	10~20Lx On, 30~80Lx Off
Rated Humidity	99%RH
Overall Dimensions	2.14(L) x 1.14(W) x 1.73(H) In. [54.5(L) x 28(W) x 44(H)mm



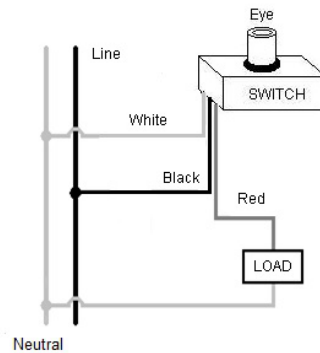
The JL-403 photoelectric switch is used for area and pedestrian space lighting where automatic illumination based on ambient light levels is needed. The JL-403C easily fits many wall pack, canopy and area lighting fixture housings. Using input line voltage, the JL-403C doesn't require auxiliary power sources to be present.

The JL-403C features a pre-set 3-10 second delay response which prevents mis-operation due to random lights passing by, or ambient lightening in the area. The switch is UL Listed and complies with UL773A Standard for Photoelectric Switches for Lighting Control.

Installation

Disconnect power, remove junction box cover, place the SWITCH in knockout hole and fasten with locknut.

Wire according to the diagram in right hand. **Do not install the switch with the Photocell facing artificial or reflected light.** This will cause the unit to cycle on and off at night.



Order Format **Example: JL-403C-07-L-M-N-CC-IP65^{*†}**

Model	Lead Length	Lock Nut	UL Labeling	Gasket	Lens Cap	IP Rating
JL-403C	07=7 Inch (STD) XX=Custom	Blank=1 Incl. (STD) L=Add 1 lock nut	Blank=No UL label needed (STD) M=Apply UL label	Blank=Flat Gasket (STD) N=O-ring Gasket	Blank=no additional cap CC=Incl. Clear lens cap	Blank=IP54 (STD) IP65=Seal lead pass thru's

^{*}Represents a JL-403C sensor with 7" lead wires, a second lock nut, UL hologram label, O-ring gasket swap, clear lens cap, and additional lead wire sealing included
[†]Represents Standard order configuration from ATG, contact ATG for other configurations