

PSC-AC-PP-200/300 | Low Voltage Power Pack

Overview

PSC-AC-PP-200:

- Self-contained transformer relay system
- Powers low voltage sensors (12.5VDC)
- Capable of switching loads up to 10A @250VAC)
- 0-10V dimming compatible

PSC-AC-PP-300:

- Performance characteristics are the same as PSC-AC-200, except that the power pack has no relay



Suitable for indoor and outdoor use

Applications

ATG's Wireless Control System incorporates the McWong PacWave™ PSC-AC-PP-200/300 Power Packs are designed to operate in a wide range of applications that require high voltage switching through low voltage controls. Typical applications include lighting controls in classrooms, conference rooms, and offices.

McWong's PacWave™ PSC-AC-PP-200/300 Power Packs incorporate a line voltage transformer which can accept universal input (120-277VAC). PSC-AC-PP-200 contains a high current relay. For applications where Dim-to-Off is not required by the power pack, PSC-AC-PP-300 designed without integral relay may be used.

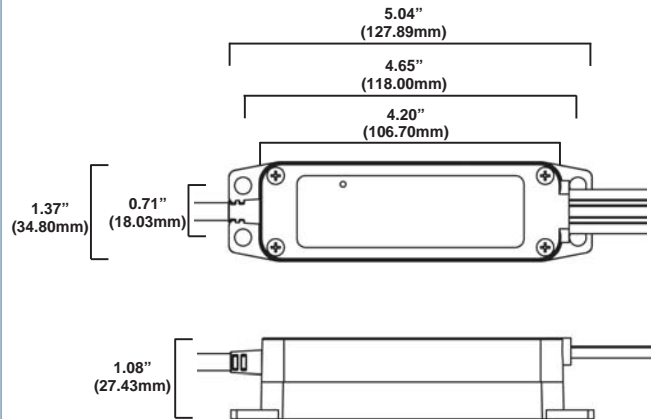
Model No.	Description	Input Voltage	Output
PSC-AC-PP-200*	Dimming Power Pack for Fixture Mount	100-277VAC	12.5VDC
PSC-AC-PP-300*	Dimming Power Pack for Fixture Mount (without Relay)	100-277VAC	12.5VDC

* Standard inventory products

Summary	
Product Type	Low Voltage Power Pack
Input Voltage	120-277VAC
Operating Temperature	-30° C to 70°C
Storage Temperature	-40° C to 80°C
Relative Humidity	90-95% non-condensing at 30°C
Color	White
Warranty	5 years
Switching Relay*	10A @ 250V (PSC-AC-PP-200)

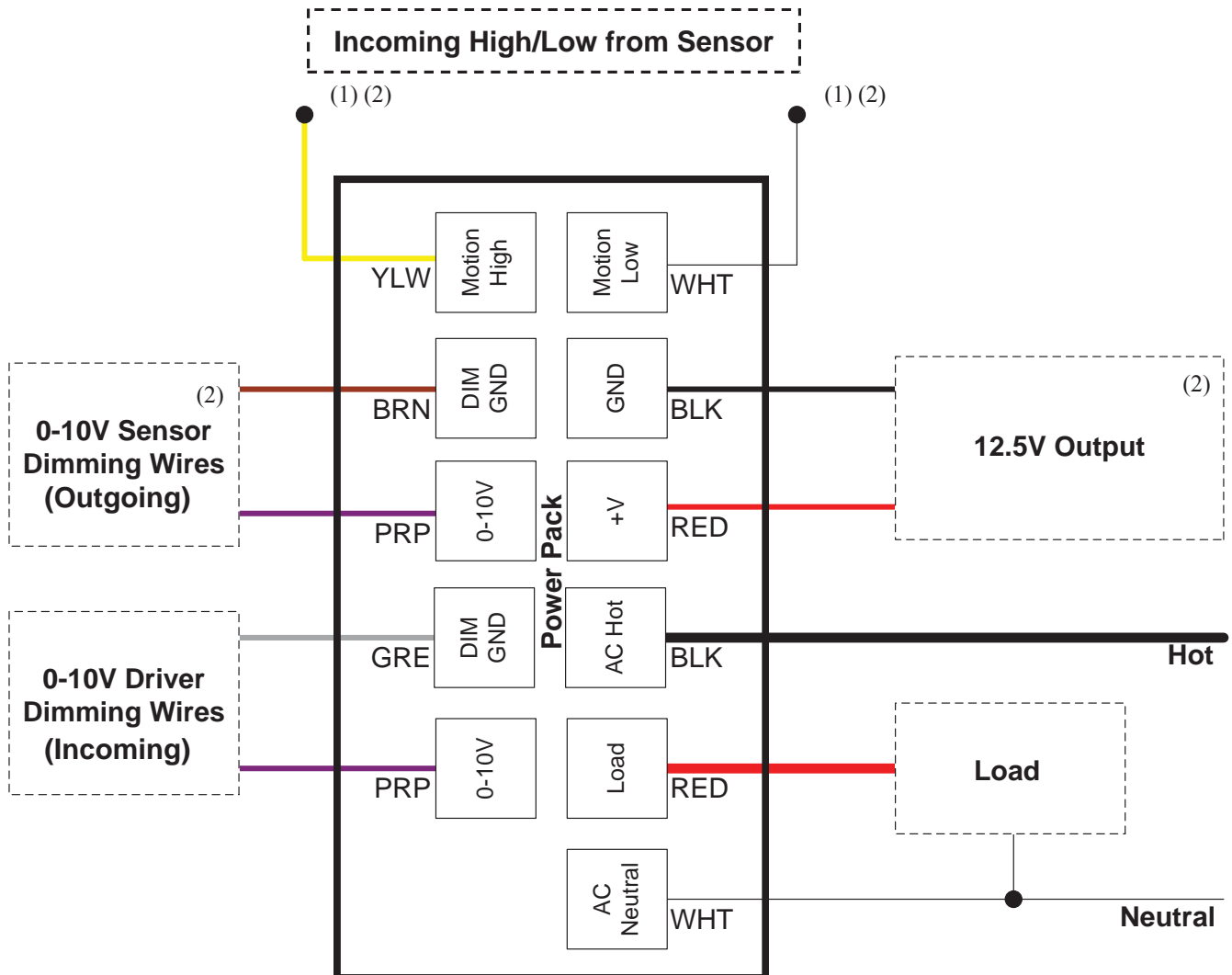
* PSC-AC-PP-300 has no Relay

Physical Dimensions



Drawings are Not to Scale

Wiring Diagram



(1) PSC-AC-PP-300 and PSC-AC-PP-300/C do not come with motion high and motion low leads