

PSC-AC-PP-700C | Low Voltage Power Pack

Overview

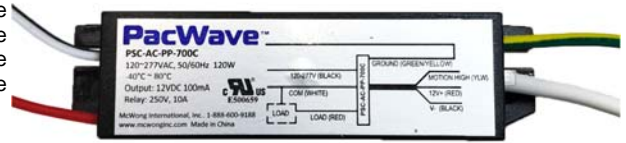
PSC-AC-PP-700C:

- Self-contained transformer relay system
- Powers low voltage sensors (12 VDC)

Applications

ATG's Wireless Control System incorporates the McWong PacWave™ PSC-AC-PP-700C Power Pack, which are designed to operate in a wide range of applications that require high voltage switching through low voltage controls. Typical applications include lighting controls in classrooms, conference rooms, and offices.

The PacWave™ PSC-AC-PP-700C Power Packs incorporate a line voltage transformer which can accept universal input (120-277VAC).



Summary

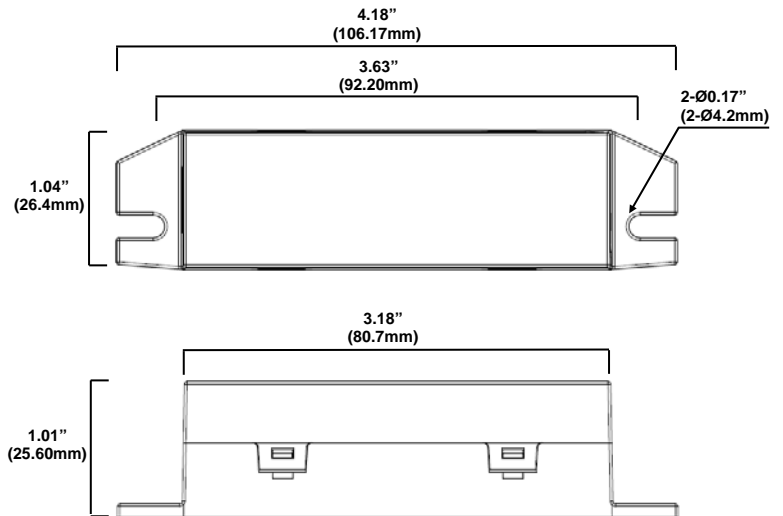
Product Type	Low Voltage Power Pack
Input	120-277VAC, 50/60Hz
Output	12VDC, 0~100mA
Max Load	240VA @ 120VAC, 2A 554VA @ 277VAC, 2A E. Ballast, LED, CFL
Operating Temperature	-20° C to 70°C
Storage Temperature	-40° C to 85°C
Relative Humidity	10-95%
Color	Black

18 AWG Lead wire length (mm):

Black, White, Red (Strip 10mm Tin Plated)	304 ⁺⁷ ₋₃ mm
Green/Yellow (with eyelet ø5mm)	304 ⁺³⁰ ₋₀ mm

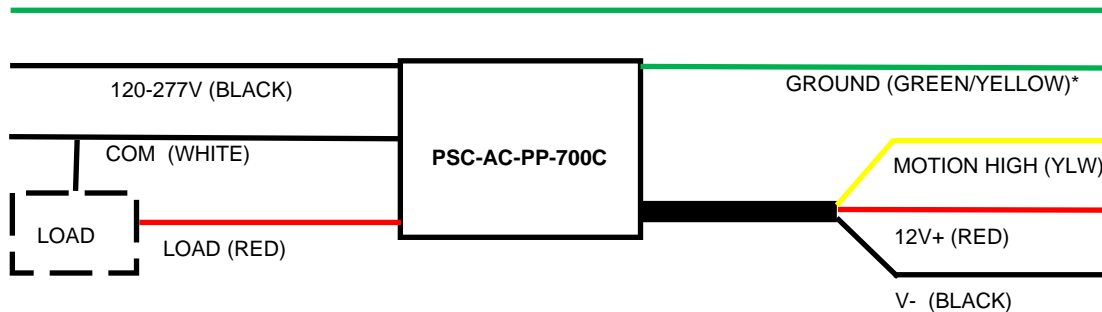


Physical Dimensions



Drawings are Not to Scale

Wiring Diagram



How to Order

Model No.	Description	Input Voltage	Output
PSC-AC-PP-700C	Low Voltage Power Supply for Fixture Mount w/ Relay	100-277VAC	12VDC