

PSC-AC-PP-400 | Low Voltage Power Supply

Overview

- Accepts Universal input (120-277VAC)
- Powers low voltage sensors (12 VDC)

Applications

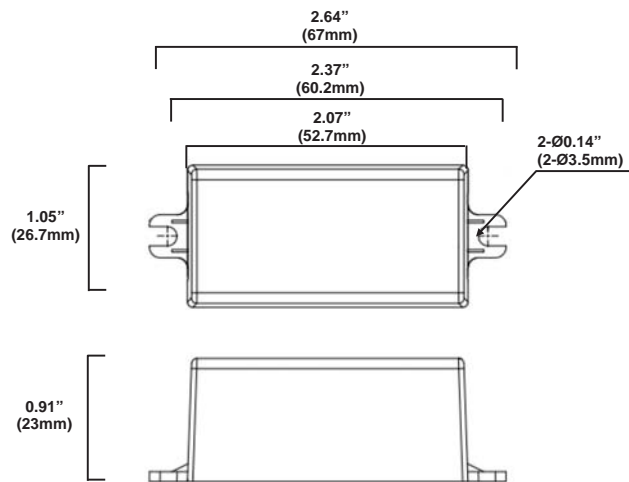
ATG's Wireless Control System incorporates the McWong PacWave™ PSC-AC-PP-400 Power Pack, which are designed to operate in a wide range of applications that require low voltage, but dont require switching controls. Typical applications include lighting controls in classrooms, conference rooms, and offices.

Summary

Product Type	Low Voltage Power Supply
Input	120-277VAC, 50/60Hz, 5.5W
Output	12VDC, 0~250mA
Short Circuit Protection	0.6W
Max Case Temp Tc	90°C
Storage Temperature	-40° C to 80°C
Relative Humidity	10-95%
Color	White

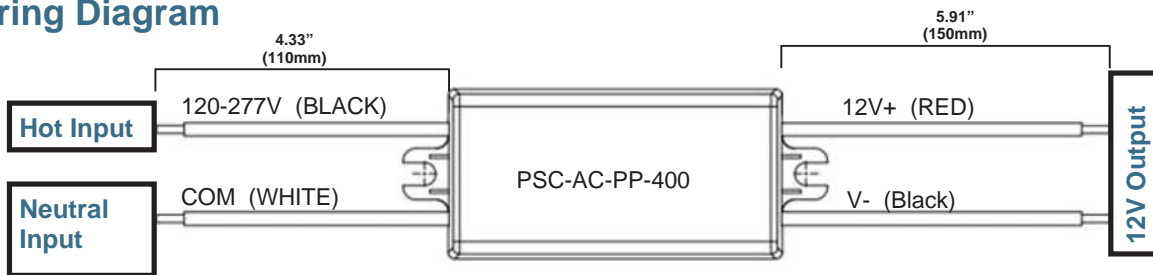


Physical Dimensions



Drawings are Not to Scale

Wiring Diagram



How to Order

Model No.	Description	Input Voltage	Output
PSC-AC-PP-400	Low Voltage Power Supply for Fixture Mount, No Relay	100-277VAC	12VDC