

PSC-ND-I-CM-DC-BLE-SR | Wireless PIR Ceiling Mount Sensor

Overview

- Comes with Bluetooth for remote sensor programming with customization time delay
- Quad Element PIR sensor
- LED Motion indicator
- Mounting height up to 12ft (3.7m).
- 360° coverage pattern



Applications

The ATG Wireless Control System PSC-ND-I-CM-DC-BLE-SR provided by McWong, uses digital PIR Motion Detector Architecture and Quad Element passive infrared (PIR) technology for improved detection coverage for ceiling mount applications.

The sensor is suitable for a variety of indoor applications. It supports ceiling mounts up to 12ft high. Both sensor and power pack are rated for use in temperatures ranging from -30° to 70°C and relative humidity from 90 to 95% at 30°C.

Sensor Operation

Bluetooth smart and Bluetooth mesh: The sensor comes with wireless control. The Bluetooth Low Energy (BLE) enabled sensor pairs with an Android or iOS application to allow initial setup and subsequent sensor adjustments. The mobile application enables users to adjust sensor parameters such as time delay, sensitivity, and more. Additionally, features such as parameter profiles, password protection, and real-time feedback from the sensor can speed up configuration and provide custom user control. The Bluetooth Smart™ enabled sensors support mesh networking through a variety of software and wireless platforms.

Accessories

Power Pack: The PSC-ND-I-CM-DC-BLE-SR operates on 12-24VDC input and requires a separate power pack such as the PacWave™ PSC-AC-PP-200/400/700C.

Alternatively, the sensor can also operate with a driver that has an auxiliary output (12V).

How to Order

For Line to Low Voltage Power Supply/Controller, please check PacWave™ PSC-AC-PP-200/400/700C.

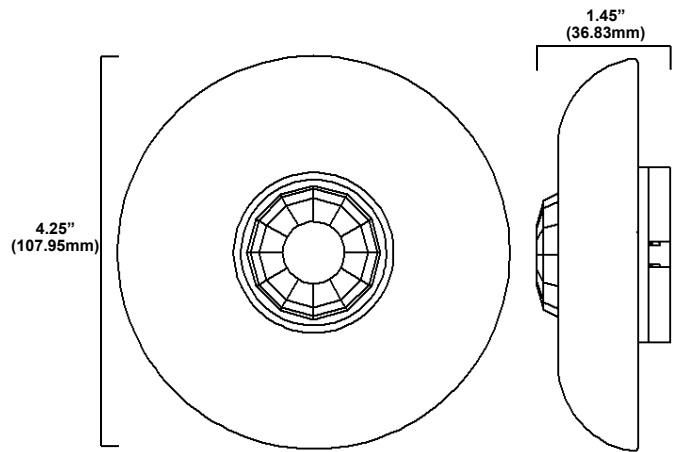
Model No.	Description	Input Voltage
PSC-ND-I-CM-DC-BLE-SR	Wireless Passive Infrared (PIR) Occupancy Sensor	12-24VDC

Summary

Sensor Type	Wireless PIR occupancy sensor
Input Voltage Current Consumption	12-24VDC 50mA
Mounting Height	Ceiling mount up to 12ft (3.7m)
Max Range*	37ft (11.3m) radius
Max Bluetooth Range**	49 ~ 65ft (15 ~ 20m)
Time Delay	Varies
Operating Temperature	-30° C to 70°C
Storage Temperature	-40° C to 80°C
Relative Humidity	90-95% non-condensing at 30°C
Color	White
Warranty	5 years

Note:
 *The absolute range of the sensor is subject to variation because of different types of clothing, backgrounds, and ambient temperature. Therefore, ensure that the lens is properly oriented along routes with expected traffic and conduct testing along those routes.
 **Bluetooth Range is highly dependent on the integration of fixtures, surrounding environment and conditions. It is recommended to conduct testing for range accuracy.

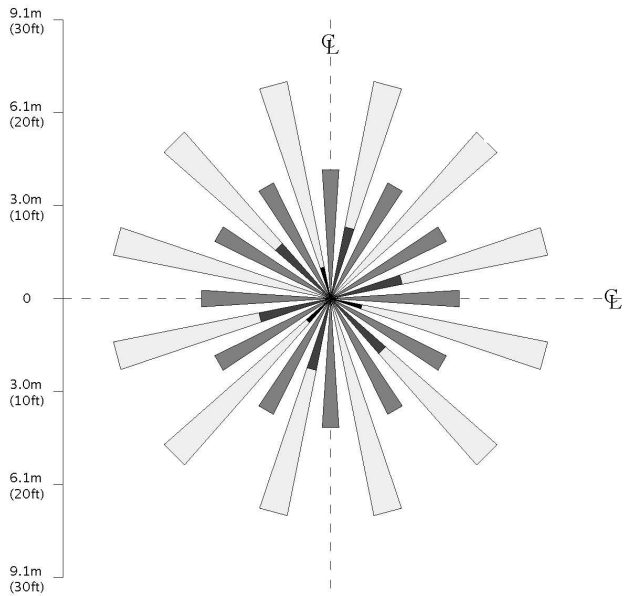
Physical Dimensions



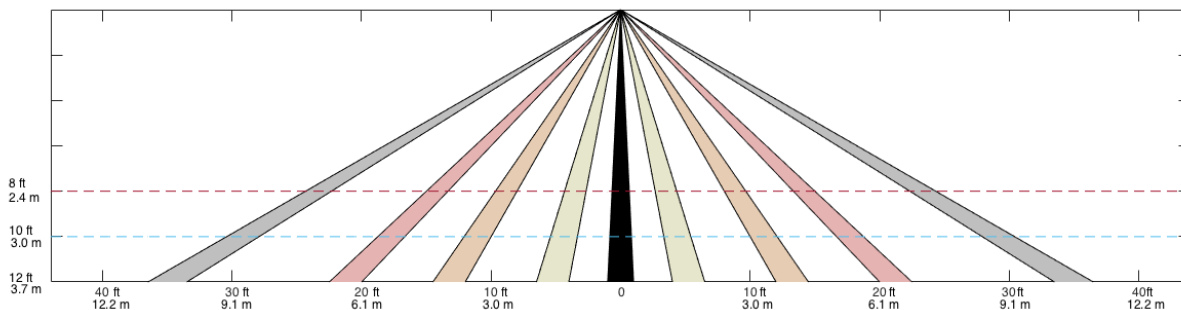
Drawings are Not to Scale

Detection Area

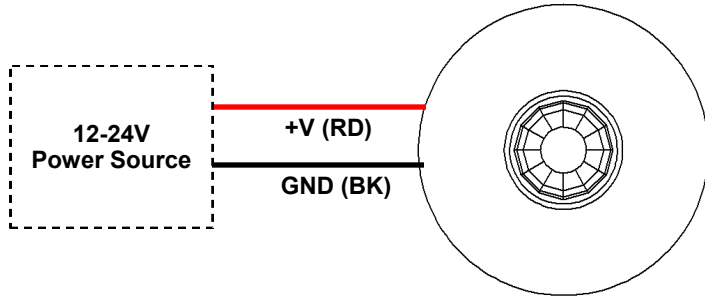
LBL: Low Bay Lens-Top View at 12 ft (3.7m)



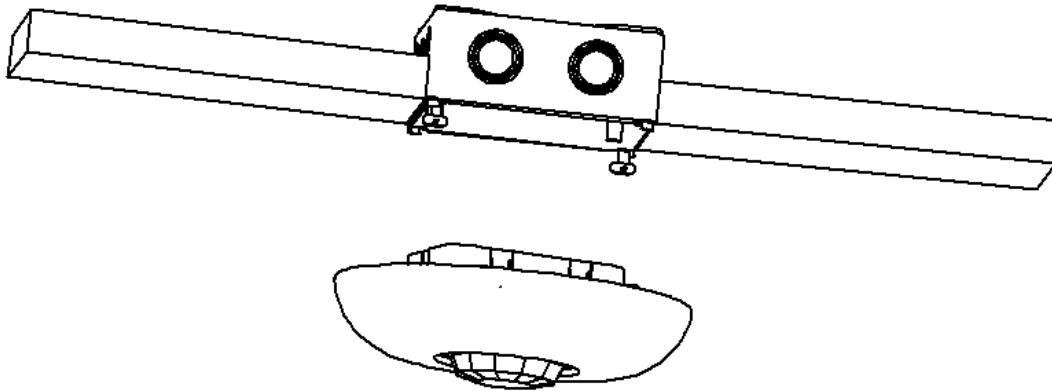
LBL - Side View



Wiring Diagram



Installation



Lead info:

Option A (Standard):



Tolerance $\pm 1"$ (25.4mm)