

PSC-DM-I-WS-BLE-SR Series | Bluetooth Motion Sensor Dimmer Wall Switch

Basic Features

Features common across all models:

- Bluetooth Mesh
- Manual on/off (wireless)
- LED status indicator light
- Mounts in any standard wall box
- Color: white



SMART WIRELESS CONTROL

Suitable for Indoor Use Only

Applications

The ATG Wireless Control System PSC-DM-I-WS-BLE-SR provided by McWong, Bluetooth mesh wall switches provide automatic lighting control for a variety of indoor applications. They can replace any standard single-pole wall switch.

PIR detection is best suited for areas with (1) clear line of sight, and (2) good air circulation. Typical applications include classrooms, copy rooms, offices, conference rooms, and private restrooms.

Sensor Operation

The sensor connects to a Bluetooth mesh network to control all of the lights in a specific zone. The unit also functions as a dimmer to override the pre-configured motion sensor settings

End Users can program length of time delays, light level sensitivity, sensor range and other setting using Bluetooth low energy Android or iOS apps.

The Sensor will be configured for standard default settings. The user can override these settings using the Bluetooth app to custom tailor their application.

OCC: occupancy sensing mode. Sensor will turn lights on automatically when motion is detected and turn lights off automatically after the area is vacated.

VAC: vacancy sensing mode. Sensor will automatically turn lights off after the area is vacated, but requires the user to manually turn lights on.

OFF: manual off. Lights will stay off until manually switched on.

ON: manual on. Load will stay off until manually switched off.

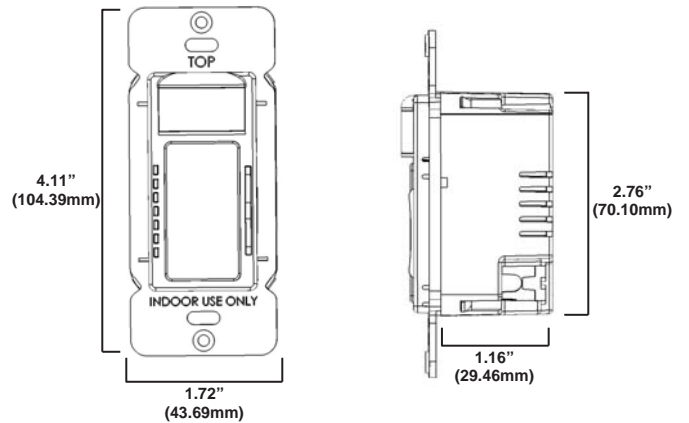
How to Order

Model No.	Description	Input Voltage
PSC-DM-I-WS-100-BLE-SR	Bluetooth wall switch PIR occupancy sensor	120-277 VAC, 60Hz

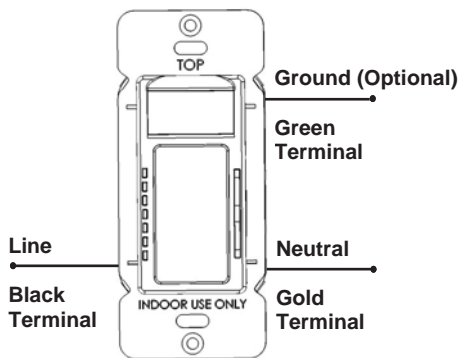
Summary	
Sensor Type	PIR occupancy sensor
Input Voltage	120-277 VAC, 50/60Hz
Max Range*	48ft x 36ft @ 3.5ft mounting height (14.6m x 11m @ 1.1m mounting height)
Max Bluetooth Range***	49 ~ 65ft (15 ~ 20m)
Time Delay	Varies
Photocell Sensitivity	NA
Operating Temperature	0° to 55°C
Storage Temperature	-10° to 60°C
Relative Humidity	95% non-condensing
Mounting	Standard wall box
Color	White
Warranty	5 years

*results may vary based on mounting height, temperature, angle, floor material, and line of sight

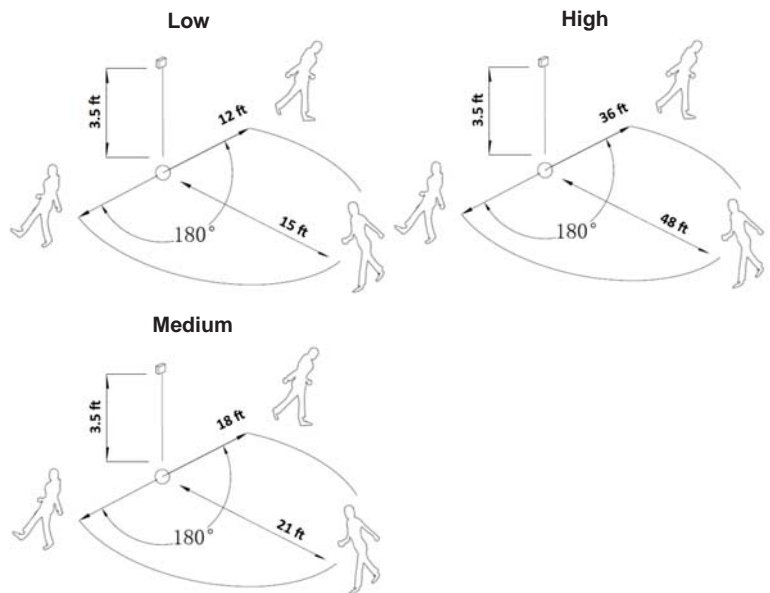
Physical Dimensions



Wiring Diagram



Detection Area



SMART WIRELESS CONTROL

Settings Adjustment

Configurable through Bluetooth App

Time Delay 1

Default position: 5 sec (Test mode)

Time Delay 2

Default position: 10 sec (Test mode)

Sensor Sensitivity

Default position: Med

Adjustable: Hi, Med, low

Ambient Light Level

Default position: 100% Daylight

Adjustable: daylight to 1000 Lux