

ELF ECO Flood Light



The new ECO Flood Light is the environmentally preferred alternative to traditional metal halide lamps. It is the maintenance free and cost-effective solution to be widely used in illuminating facades, landscapes, parking areas, and apartment complexes.



Features

- Sleek Design
- High pressure die-cast housing
- 0-10V Dimming(10%-100%)
- Compatible with photocells
- Up to 144 LPW efficacy
- Suitable for wet locations

Input Voltage(VAC)	120-277/347-480* 50/60 Hz
CRI	70+
CCT(K)	3000/4000/5000
Dimming	0-10V Dimming(10% to 100%)
IP Rating	IP65
Projected Lifetime	100,000 Hrs(L70)
Finish Color	Bronze(RAL8019)/ Black(RAL9005)/Customized*
Housing	Die Cast Aluminum
NEMA Distribution	7H6V Beam Spread
IK Rating	IK08
Operating Temperature	-30°C to 50°C
Limited Warranty	5 Years*



*347-480V is available for 100W,150W,240W&300W

*Default finish is Bronze. Contact sales for lead time and extra cost on other finish color.

*see website for warranty terms

Luminaire	Linear Strip	Type
Project		
Product		
Notes		

Order Format

Example: ELF-100W-50-V

Series	Wattage	CCT	Voltage	Finish	Control
ELF	- 30W - 50W - 70W - 100W - 150W - 240W - 300W	- 30 3000K - 40 4000K - 50 5000K	- Blank 100-277VAC - V 347-480VAC*	- Blank Bronze - B Black - Customized*	P1 JL-207C,3-Pin Photocell P3 JL-403,Button Photocell P4 JL-243,7-Pin Photocell RE 3-Pin Receptacle for JL-207 R4 7-Pin Receptacle for JL-243

*not all models available with 347-480V options

*Default finish is Bronze. Contact sales for lead time and extra cost on other finish color.

Performance Chart

Model Number	Input Voltage(VAC)	PF	THD	BUG	Surge Protection Device (Driver Default/Optional Add On)
ELF-30-XX	120-277	0.9	< 15%	B2-U2-G1	—
ELF-50-XX	120-277	0.9	< 15%	B3-U2-G1	—
ELF-70-XX	120-277	0.9	< 15%	B3-U2-G2	—
ELF-100-XX	120-277/347-480	0.9	< 15%	B3-U2-G2	4KV(Driver)/10KV(Separate,Optional)
ELF-150-XX	120-277/347-480	0.9	< 15%	B4-U3-G3	6KV(Driver)/10KV(Separate,Optional)
ELF-240-XX	120-277/347-480	0.9	< 15%	B5-U3-G3	10KV(Driver)/10KV(Separate,Optional)
ELF-300-XX	120-277/347-480	0.9	< 15%	B5-U3-G3	10KV(Driver)/10KV(Separate,Optional)

Model Number	Default Watts(W)	CCT(K)	RA	Optics	System Watts(W)	Efficacy (LM/W)	Lumens (LM/W)	DLC Code	Shipping
ELF-30-30	30	3000	70+	7H6V	29	132.5	3794	Pending	TBD
ELF-30-30		4000	70+	7H6V	29	133.0	3818	Pending	TBD
ELF-30-30		5000	70+	7H6V	29	133.5	3854	Pending	TBD
ELF-30-30	50	3000	70+	7H6V	54	132.7	7192	Pending	TBD
ELF-30-30		4000	70+	7H6V	54	133.7	7244	Pending	TBD
ELF-30-30		5000	70+	7H6V	54	134.7	7302	Pending	TBD
ELF-30-30	70	3000	70+	7H6V	72	140.7	10155	Pending	TBD
ELF-30-30		4000	70+	7H6V	72	141.7	10230	Pending	TBD
ELF-30-30		5000	70+	7H6V	72	143.7	10383	Pending	TBD
ELF-30-30	100	3000	70+	7H6V	101	137.8	13964	Pending	TBD
ELF-30-30		4000	70+	7H6V	101	138.8	14067	Pending	TBD
ELF-30-30		5000	70+	7H6V	101	139.9	14179	Pending	TBD
ELF-30-30	150	3000	70+	7H6V	153	135.1	20625	Pending	TBD
ELF-30-30		4000	70+	7H6V	153	136.0	20776	Pending	TBD
ELF-30-30		5000	70+	7H6V	153	137.1	20941	Pending	TBD
ELF-30-30	240	3000	70+	7H6V	249	139.2	34643	Pending	TBD
ELF-30-30		4000	70+	7H6V	249	140.2	34897	Pending	TBD
ELF-30-30		5000	70+	7H6V	249	141.3	35174	Pending	TBD
ELF-30-30	300	3000	70+	7H6V	310	134.6	41665	Pending	TBD
ELF-30-30		4000	70+	7H6V	310	135.5	41973	Pending	TBD
ELF-30-30		5000	70+	7H6V	310	136.6	42307	Pending	TBD

Mounting Accessories

Mounting Accessory & Glare Shield

KN	MKN-ELF-01,Knuckle Mount for ELF 30W/50W ELF Flood Light*Default*
SF	MSF-ELF-01,Slipfitter Mount for ELF 70W/100W/150W/240W/300W ELF Flood Light*Default*
UB1	MUB-ELF-01, U-Bracket for 30W ELF Flood Light
UB2	MUB-ELF-02, U-Bracket for 50W ELF Flood Light
UB3	MUB-ELF-03, U-Bracket for 70W/100W/150W ELF Flood Light
UB4	MUB-ELF-04, U-Bracket for 240W/300W ELF Flood Light
WM1	MWK-ELF-01,Wall Mount for 30W/50W ELF Flood Light
WM2	MWK-ELF-02,Wall Mount for 70W/100W/150W ELF Flood Light
SD1	SHD-ELF-01,Shield for 30W ELF Flood Light
SD2	SHD-ELF-02,Shield for 50W ELF Flood Light

Knuckle

Slipfitter

Wall Mount
Kit

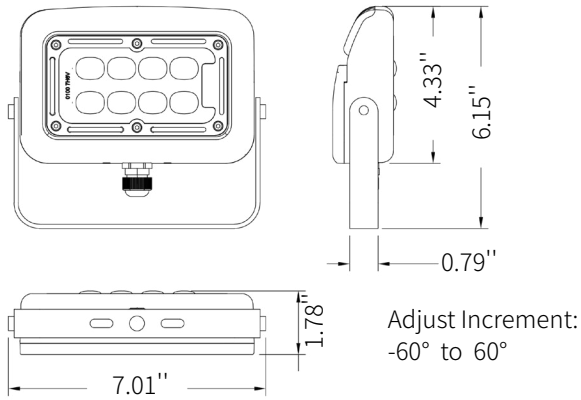
U-Bracket

Shield

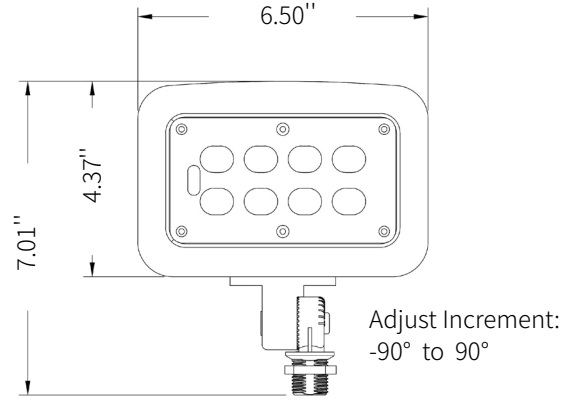


Dimensions

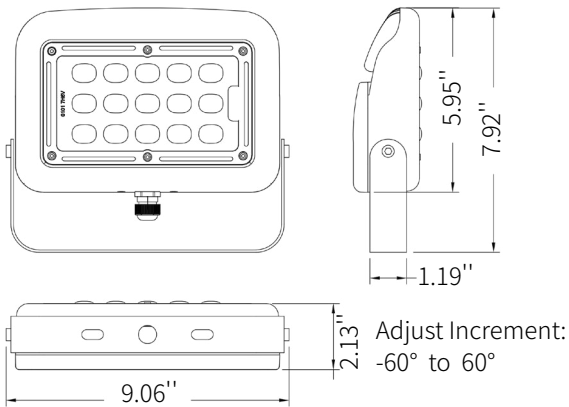
ELF-30W drawing with U-Bracket



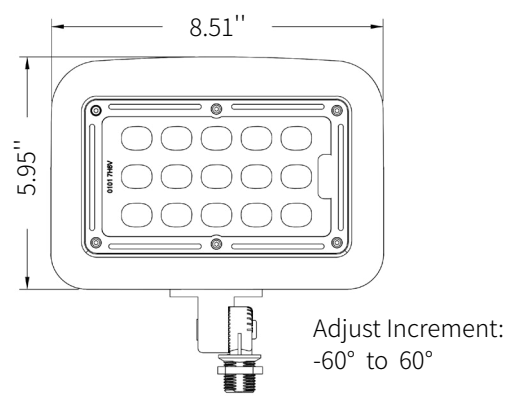
ELF-30W drawing with Knuckle mount



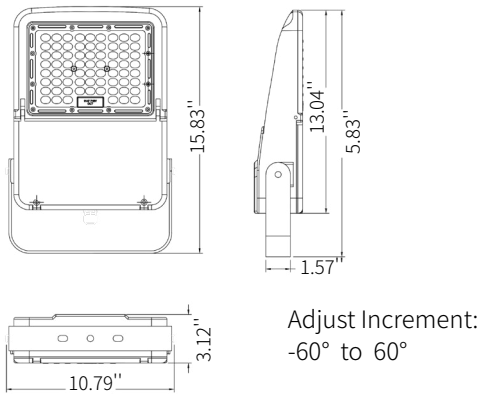
ELF-50W drawing with U-Bracket



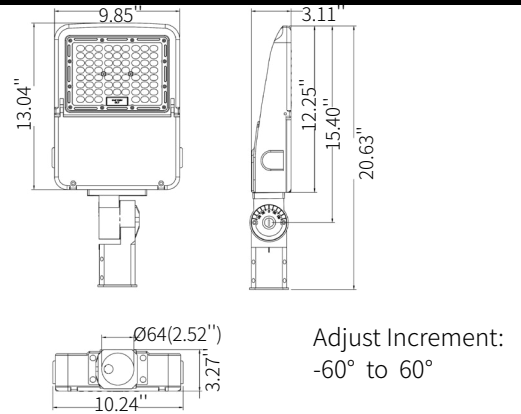
ELF-50W drawing with Knuckle mount



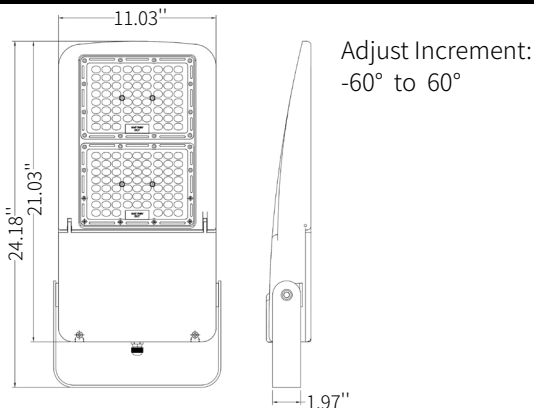
ELF-70W and 100W and 150W drawing with U-Bracket



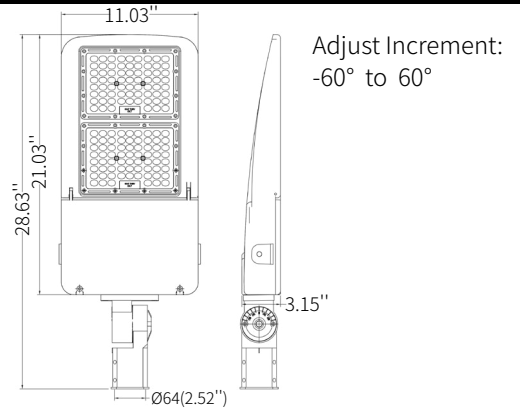
ELF-70W and 100W and 150W drawing with Slipfitter



ELF-240W and 300W drawing with U-Bracket



ELF-240W and 300W drawing with Slipfitter



Electrical Accessories

JL-403C

Fix Mount Button Photocell



JL-403C is an electronic photocell that fits in a standard outlet box, post lamp or light fixture.

FEATURES

- Rated Voltage 120-277VAC
- Rated Frequency 50/60 Hz
- Rated Loading 500W Tungsten,850VA Ballast
- Operate Level 10~20 lx On/30~80 lx Off
- Ambient Temp -40°C ~+70°C

JL-207

3-Pin Photocell



The JL-207 photocell series is applicable to control street lighting, garden lighting, passage lighting and doorway lighting automatically in accordance with the ambient natural lighting level.

FEATURES

- Rated Voltage 120-277VAC
- Rated Frequency 50/60 Hz
- Rated Loading 1000W Tungsten,1800VA Ballast
- Power Consumption 0.5W
- Typical On/Off Level 16 Lx On/24 Lx Off
- Ambient Temp -40°C ~+70°C

*Please visit our website for more details:

<http://atgledlighting.com/wp-content/uploads/2019/04/JL-207.pdf>

JL-243

7-Pin Photocell

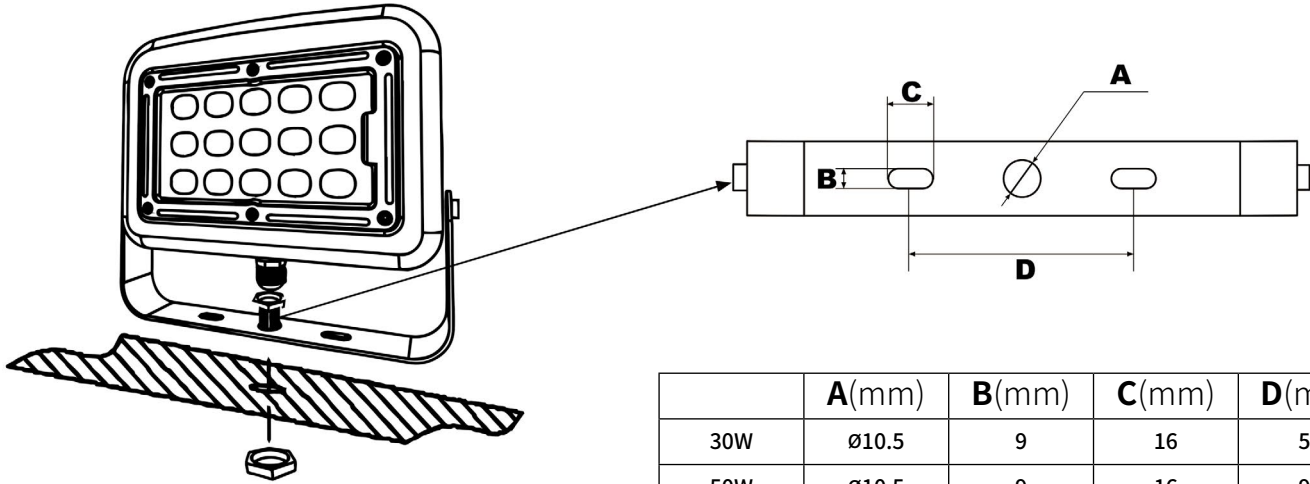


JL-243 is applicable to control any independent LED lighting automatically in accordance with the ambient natural lighting level. The photocell is IP65 rated, with built-in 40KA Surge Arrester. The photocell is available with constant on/off dimming, midnight dimming and LED decay compensation.

FEATURES

- Rated Voltage 120-277VAC
- Rated Frequency 50/60 Hz
- Rated Loading 1000W Tungsten,1800VA Ballast, 5A E-Ballast
- Power Consumption 50 Lux
- Ambient Temp -40°C ~+70°C

U-Bracket Pole Drilling Detail



	A(mm)	B(mm)	C(mm)	D(mm)
30W	∅10.5	9	16	50
50W	∅10.5	9	16	90
70W-300W	∅12	10.5	25	90

EPA Chart

Angle	ELF-30-XX (KN)	ELF-50-XX (KN)	ELF-70-XX (KN)	ELF-100-XX (KN)	ELF-150-XX (KN)	ELF-240-XX (KN)	ELF-300-XX (KN)
0°	0.093 ft ²	0.158 ft ²	0.246 ft ²	0.246 ft ²	0.246 ft ²	0.273 ft ²	0.273 ft ²
10°	0.105 ft ²	0.177 ft ²	0.275 ft ²	0.275 ft ²	0.275 ft ²	0.389 ft ²	0.389 ft ²
20°	0.122 ft ²	0.208 ft ²	0.397 ft ²	0.397 ft ²	0.397 ft ²	0.71 ft ²	0.71 ft ²
30°	0.143 ft ²	0.241 ft ²	0.562 ft ²	0.562 ft ²	0.562 ft ²	1.01 ft ²	1.01 ft ²
40°	0.166 ft ²	0.295 ft ²	0.71 ft ²	0.71 ft ²	0.71 ft ²	1.279 ft ²	1.279 ft ²
50°	0.19 ft ²	0.341 ft ²	0.84 ft ²	0.84 ft ²	0.84 ft ²	1.51 ft ²	1.51 ft ²
60°	0.212 ft ²	0.379 ft ²	0.944 ft ²	0.944 ft ²	0.944 ft ²	1.701 ft ²	1.701 ft ²
70°	0.225 ft ²	0.415 ft ²	1.019 ft ²	1.019 ft ²	1.019 ft ²	1.836 ft ²	1.836 ft ²
80°	0.233 ft ²	0.419 ft ²	1.066 ft ²	1.066 ft ²	1.066 ft ²	1.92 ft ²	1.92 ft ²
90°	0.235 ft ²	0.426 ft ²	1.079 ft ²	1.079 ft ²	1.079 ft ²	1.945 ft ²	1.945 ft ²