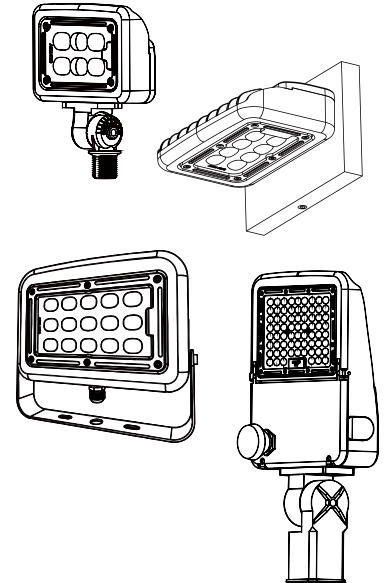


## Installation Instructions

### General Safety Information

- To reduce the risk of death, personal injury or property damage from fire, electric shock, falling parts, cuts/abrasions, and other hazards read all warnings and instructions included with and on the fixture box and all fixture labels.
- Before installing, servicing, or performing routine maintenance upon this equipment, follow these general precautions.
- Commercial installation, service and maintenance of luminaires should be performed by a qualified licensed electrician.
- For Residential installation: If you are unsure about the installation or maintenance of the luminaires, consult a qualified licensed electrician and check your local electrical code.
- **DO NOT INSTALL DAMAGED PRODUCT!**
- This fixture is intended to be connected to a properly installed and grounded UL listed junction box.
- Voltage input: 120-277V 50/60 Hz, 347-480V 50/60 Hz for certain wattages



#### **WARNING:**

##### RISK OF ELECTRICALSHOCK

- Turn off the power when you perform any maintenance.
- Verify that supply voltage is correct by comparing it with the luminaire label information.
- Make all electrical and grounded connections in accordance with the National Electrical Code and any applicable local code requirements.
- All wiring connections should be capped with UL approved wire connectors.

#### **CAUTION:**

##### RISK OF INJURY

- Wear gloves and safety glasses at all times when removing luminaire from carton, installing, servicing or performing maintenance.
- Avoid direct eye exposure to the light source while it is on.
- Account for small parts and destroy packing material, as these may be hazardous to children.

#### **CAUTION:**

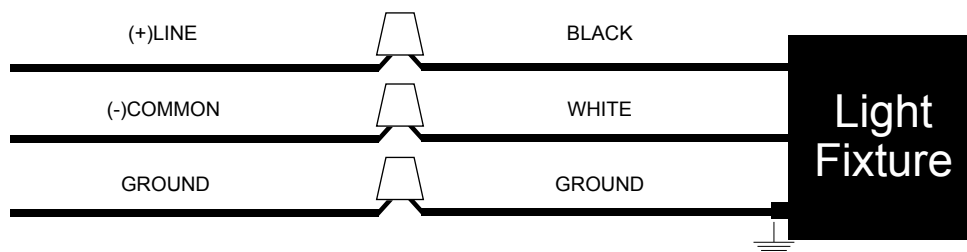
##### RISK OF FIRE

- Keep combustible and other materials that can burn away from luminaire and lamp/lens.
- MIN 90°C SUPPLY CONDUCTORS.

*Illustrations on the manual are for installation purposes only. It may not be identical to the fixture purchased.*

### General Wiring Diagram

*CAUTION: Turn off electrical power at fuse or circuit breaker box before wiring fixture to the power supply.*

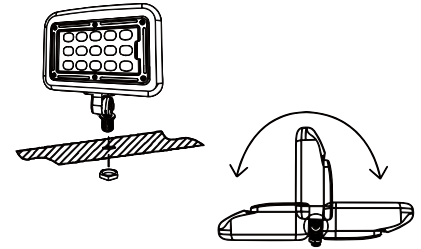


## Installation Instructions

### Mounting Instructions

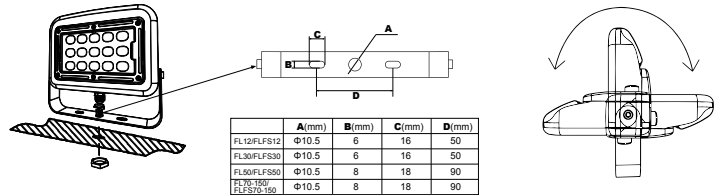
#### • SWIVEL ARM MOUNTING

1. Inspect components to ensure that male and female port threads and sealing surfaces are free of burrs, nicks and scratches or any foreign material.
2. Thread fixture into G $\frac{1}{2}$  cover plate (not included) / junction box (not included) or Landscape post (not included) as shown.
3. Seal all unused holes and threads with waterproof silicone.
4. The swivel arm on the LED Flood allows 150° of vertical aiming adjustment depending on mounting location.
5. Connect power to fixture, referencing wiring diagram on page 1. Make sure the power supply is disconnected before installing.



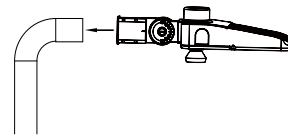
#### • TRUNNION MOUNTING

1. Use screw to install the fixture where lighting is needed.
2. Adjust fixture to desired angle.
3. Make sure the fixture is firmly installed and connect with power supply referencing wiring diagram on page 1.



#### • POLE ARM MOUNTING(only for 70-150W model)

1. Make sure the power supply must be turn off.
2. Referencing wiring diagram connect with power supply.
3. Fix the fixture on the pole.



#### • WALL MOUNTING

- 1 Remove the mounting plate from the back of the fixture by loosening the mounting plate tightening bolt using the screwdriver.
- 2 Route the junction box wires through the large center hole in the mounting plate.  
Align the holes on the mounting bracket with the holes on your junction box. depending on the size of the holes in your junction box, attach the mounting bracket to your junction box.  
According to the corresponding hole position, paste waterproof gasket.
- 3 Connect fixture black wire to house black wire, the (+) line, and fixture white wire to house white wire, the (-) common by twisting the exposed wires together and using the wire nuts. Ensure no loose wires.  
Connect house ground wire to the green fixture ground wire, by twisting the exposed wires together and using the wire nuts.
- 4 Once the fixture is wired, place the light fixture onto the mounting plate so the top sloped groove on the plate rests on the top sloped groove on the back of the fixture.  
Tighten the mounting plate by tightening bolt back through the hole on the bottom of the fixture until the bolt firmly pushes against the mounting plate.
- 5 Complete the installation

