

HBUF Helix High Bay

Indoor



ATG's Helix High Bay is an evolution of commercial high bay lighting. The Helix High Bay is ideally deployed for use in distribution centers, manufacturing facilities, and large retail facilities with ceilings of 20 to 40 feet.

Luminaire	Helix High Bay	Type
Project		
Product		
Notes		



- Features**
- IP65 Rated
 - Best Mounted at 20-40 feet
 - Superior glare prevention and light quality



Order Format
Sample: HBUF-150W-50-C-G2

Series	Wattage	CCT	Voltage	Dimming	Lens	Generation
HBUF =Helix High Bay	100W=100W 150W=150W 200W=200W 250W=250W	50=5000K	Blank=100-277V V=347-480V	Blank=1-10V Dimming ND=Non-Dimming	C=Clear Lens F=Frosted Lens	G2=2nd Generation

Application

The luminaire can be mounted by cable, bracket, or pendant*. Maximum recommended installation height for the Helix High Bay is 40 ft. The slim profile allows for exceptionally versatile placement compared to traditional high bays. *pendant kit available, pole not included



Construction

The Helix High Bay housing is formed from cast and extruded aluminum. Our streamlined manufacturing process delivers a more versatile product with a superior value proposition. Customers may order an optional aluminum shroud to further control light output.



Electrical

Luminous efficacy is an excellent 140 Lm/W. Luminaire lifespan is rated at 95,000 hours. Standard input voltage is 100-240/277 and 347-480V drivers are available on all units. Fixture is IP65 rated.

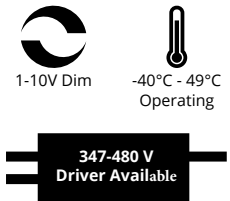
Input Voltage (VAC)	100-277 347-480*
CRI	70+
CCT(K)	3,500*, 4,000*, 5,000
PF	.9
THD	<20%
L70 (Hours)	95,000
Color	Black, Custom
Housing	Cast & Extruded Aluminum
Lens	Clear
Temperature Range	-40°C to 49°C
Warranty	10 Years

Optics

The Helix High Bay's clear, polycarbonate lens and rolled aluminum reflector enhance beam output for commercial uses. CCT is rated at 5000K for optimal performance in industrial environments. The CRI of 70+ provides color fidelity for visually sensitive tasks.

Certifications/Listings

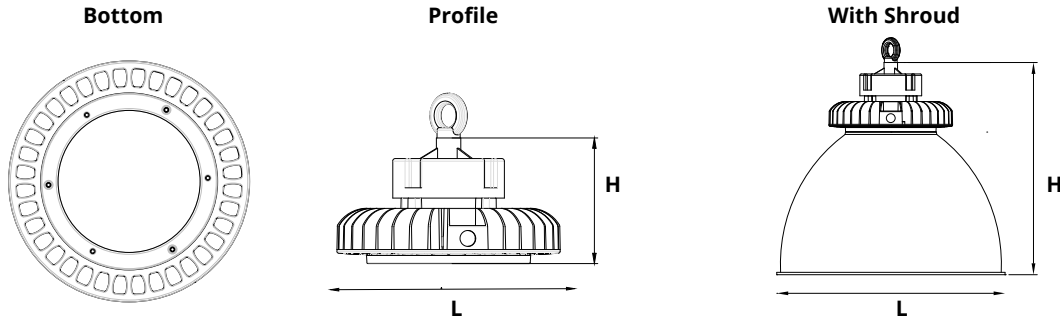
- DLC Premium*
- ETL
- IP65 rated
- CE
- RoHS
- Title 24



*only 5000K, 100-277V models are listed

*3500K&4000K are not DLC listed, 347-480V are not DLC listed contact sales for lead time and extra cost

Dimensions



100W 150W	no shroud		16" shroud		18" shroud				
	Part No.	Length (L)	Height(H)	Part No.	Length (W)	Height (H)	Width (W)	Height (H)	
	HBUF-100W	10.24"	5.75"		HBUF-100W	16.62"	16"	18"	17.56"
	HBUF-150W	10.24"	5.75"		HBUF-150W	16.62"	16"	18"	17.56"

Measurements recorded in inches

200W 250W	no shroud		16" shroud		18" shroud				
	Part No.	Length (L)	Height(H)	Part No.	Length (W)	Height (H)	Width (W)	Height (H)	
	HBUF-200W"	11.42"	6.63"		HBUF-200W	16"	17.50"	18"	18.44"
	HBUF-250W	11.42"	6.63"		HBUF-250W	16"	17.50"	18"	18.44"

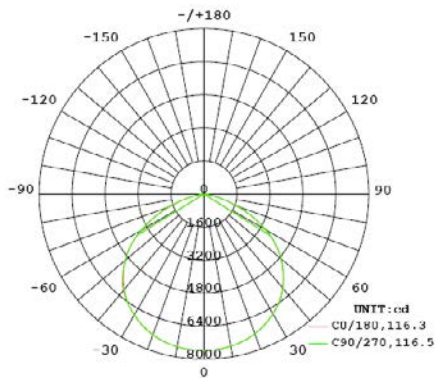
Measurements recorded in inches

Lumen Data

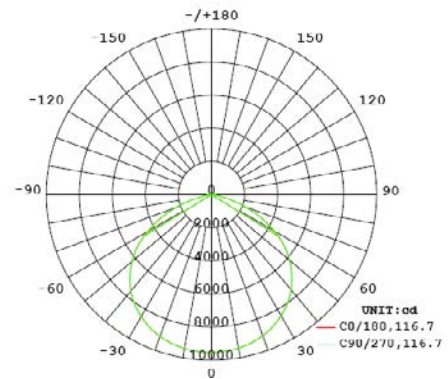
Wattage (W)	System Wattage (W)	50K									
		No Shroud		Acrylic Reflector 16"		Acrylic Reflector 17"		Acrylic Reflector 18"		Acrylic Reflector 22"	
		Efficacy (Lm/W)	Lumens (Lm)	Efficacy (Lm/W)	Lumens (Lm)	Efficacy (Lm/W)	Lumens (Lm)	Efficacy (Lm/W)	Lumens (Lm)	Efficacy (Lm/W)	Lumens (Lm)
100W	99.37	141	14,000								
150W	153.4	142	21,730	125	19,323	125	19,323	109	16,893	122	18,920
200W	196.3	140	27,500	122	24,677	123	24,677	107	21,624	120	24,143
250W	240.8	140	33,740								

Wattage (W)	System Wattage (W)	40K									
		No Shroud		Acrylic Reflector 16"		Acrylic Reflector 17"		Acrylic Reflector 18"		Acrylic Reflector 22"	
		Efficacy (Lm/W)	Lumens (Lm)	Efficacy (Lm/W)	Lumens (Lm)	Efficacy (Lm/W)	Lumens (Lm)	Efficacy (Lm/W)	Lumens (Lm)	Efficacy (Lm/W)	Lumens (Lm)
100W	100.9	134	13,512	119	11,920	119	11,920	103	10,320		11,634
150W	151.6	136	20,659	122	18,357	122	18,357	107	16,048		17,974
200W	202.1	129	26,125	117	23,443	117	23,443	103	20,543		22,936
250W								102	25,412		

Coverage



HBUF-150W

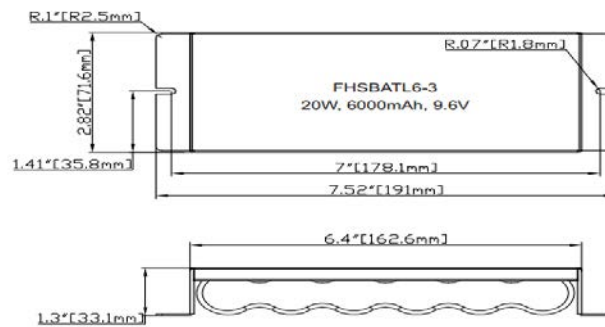


HBUF-200W

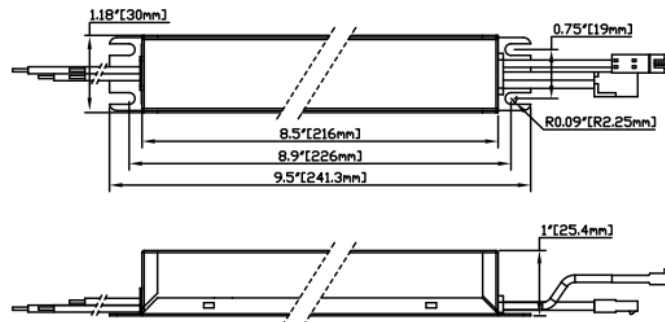
Electrical Accessories

**EM20W-6000-700-56
Emergency Kit**

Driver



Battery



Electrical Accessories



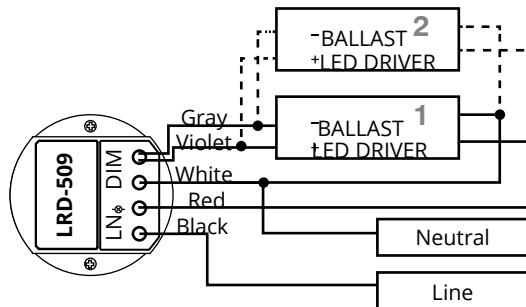
Daylight
Sensor

LRD-509SEC
Digital Bi-Level Sensor
120/277 VAC

SRP-280
Remote Programmer



Power Supply	120-277VAC, 50/60Hz
Maximum Load -40°C-55°C	Incandescent/Halogen-800/1200W@120V/277V Fluorescent Ballast/CFL-800/1200W@120/277V Ballast Electronic (LED) -540/1200VA@120/277V
Maximum Load 55°C-70°C	Incandescent/Halogen-500/750W@120V/277V Fluorescent Ballast/CFL-500/750W@120/277V Ballast Electronic (LED) -500/750VA@120/277V
Infrared Sensor	Omni-directional quad element pyroelectric
Photo Sensor	Digital ambient light sensor
HIC Protection	Max 80A for 16.7 msec
Dim Control Output	0-10V, max 25mA sinking current
Detectable speed	1-10 ft./sec. (0.3-3/sec.)
Mounting Height	Subject to the lens type applied.
Detection Range	Subject to the lens type and mounting height
Remote Range	33 ft. (10m) indoor, no backlight
Humidity	Max.95%RH
Temperature	-40 °C-70 °C
Dimensions	Ø2.36"x H1.45" (Ø60 x H37mm)

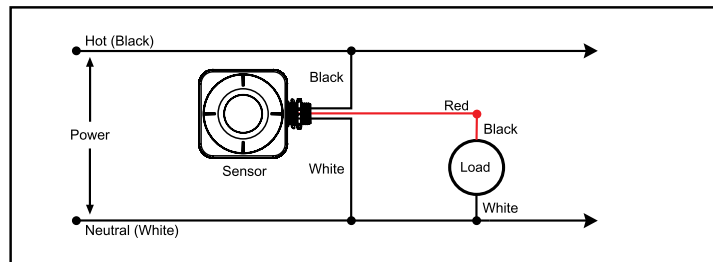


Motion
Sensor

BRI819P-B-O
Digital PIR
ON/OFF Sensor
120/277 VAC



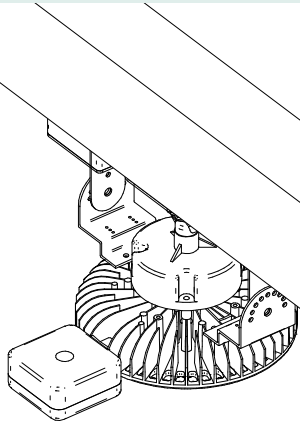
Power Supply	120-277VAC 50/60Hz
Maximum Load -40°C-75 °C	Resistive/Tungsten-600W@120/277V Electronics Ballast -800W/1200W@120/277V
Dim Control Output	01-10V, max. 25mA sinking current
Detection Radius/ Angle	30ft@40ft height/360, 30ft@25ft height/360
Mounting Height	Max 25ft. @L1 Max 40ft. @L2
Remote Range	50ft. (15m) indoor, no backlight
Time Setting	10sec. -60min. (adjustable)
Light-Control	10-2000 Lux (adjustable)
Humidity	Max. 95% RH
Temperature	-40 °C-75 °C



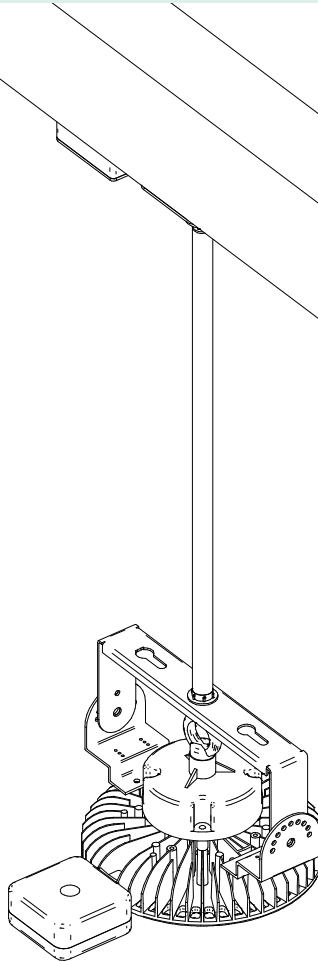
***see sensor specsheets
for more info**

Mounting Accessories

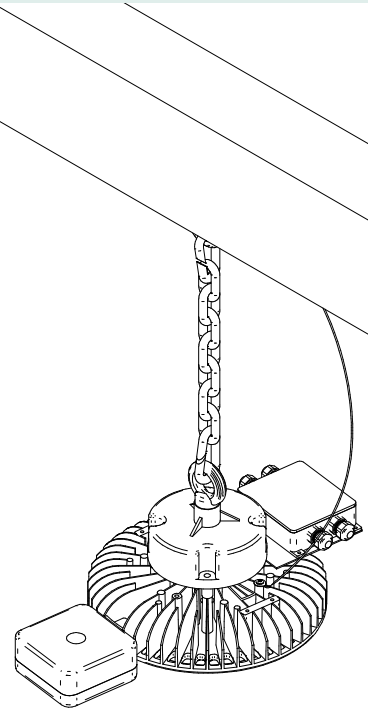
Bracket Mount



Pendant Mount



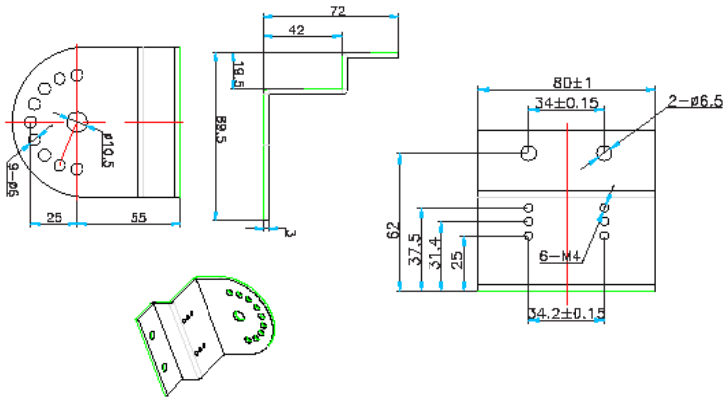
Suspension Mount



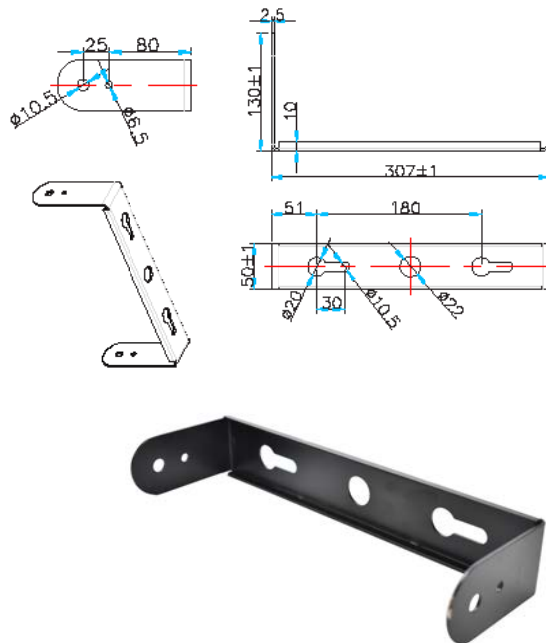
Mounting Accessories -Dimensions

**PMK-HBUF-G2
Pendant Mount Kit**

Mounting Swivel



Mounting Bracket



10 Year Warranty

ATG Electronics®
Industry Leading 10 Year Limited Warranty
For North American LED Lighting Fixtures

ATG Electronics warrants to the original purchaser of ATG Electronics Domestic LED products listed above that were manufactured for which the ATG Electronics Spec Sheet located on our website contains the words "10 year limited warranty" that, subject to the below terms and conditions of this warranty, when such LED products are properly installed they will comply with ATG Electronics published product specifications for such products and will be free from material defects in material and workmanship for a period of ten (10) years from the date of sale by ATG Electronics, or, if lesser, 50,000 hours of operation (at an average of 13.6 hours per day operation). The LED arrays in the Product(s) will be considered defective in material or workmanship only if a total of 15% or more of the individual light emitting diodes in the Product(s) fail to illuminate.

The above express limited warranty is extended by ATG Electronics® only to the original or first end-user purchaser and only for the original installed location. This warranty only applies to products purchased after June 1, 2017. This warranty is non-transferrable, whether by assignment or operation of law. The original purchaser must provide warranty claims to ATG Electronics within the warranty period promptly upon discovery and in accordance with ATG Electronics Return and Repair Procedures as outlined within this document.

Should any defects be found by ATG Electronics upon its inspection of the properly returned product, ATG Electronics sole responsibility and liability under this warranty will be, at its option, to either repair or replace the defective part or parts or else make available a new replacement unit that will provide equal or better performance. All decisions regarding the existence or non-existence of defects or otherwise affecting the warranty shall be made by ATG ELECTRONICS and shall be final and binding on all parties. Where a defective LED product is replaced under this warranty, the balance of the original warranty period shall remain effective.

Conditions and Exclusions

This warranty is conditioned upon proper installation, use and maintenance. This warranty will automatically become null and void and shall not be applicable to any LED fixture which (i) has not been timely paid for, (ii) is not installed and operated in accordance with the current edition of The National Electric Code (NEC), the Standards for Safety of Underwriters' Laboratory, Inc. (UL) or with ATG Electronics instructions and guidelines, (iii) has been moved from its original installation, (iv) has been installed within an area that has exposure to sulfur or any area with high acidic compounds in use, (v) has been operated in an ambient temperature or humidity that is higher than 35 degrees Celsius, (vi) has been subjected to a lightning strike, power surge or overvoltage condition, (vii) has its LED Board subjected to static electricity due to failure to discharge same prior to connecting or disconnecting the lead from the LED board, (viii) was not installed and/or operated in accordance with ATG Electronics instructions and guidelines, (ix) has been mishandled, misused, abused, tampered with, modified or altered by anyone other than ATG ELECTRONICS, (x) has been subjected to abnormal stresses and operating conditions, or (xi) has been operated without overvoltage and lightning protection devices in place.

Limitations

Disclaimers & Limitations of Liability

The foregoing warranty is exclusive of all other statutory, written or oral warranties and no other warranties of any kind, statutory, by operation of law or course of performance, or otherwise, are given, herein expressed or otherwise received. EXCEPT AS EXPRESSLY PROVIDED ABOVE, ATG ELECTRONICS DISCLAIMS ALL REPRESENTATIONS, WARRANTIES AND CONDITIONS OF ANY KIND, EXPRESS OR IMPLIED, REGARDING THE LED PRODUCTS AND ITS SERVICES, INCLUDING, WITHOUT LIMITATION, THE IMPLIED WARRANTIES OF MERCHANTABILITY AND FITNESS FOR A PARTICULAR USE OR PURPOSE.

LIMITATION OF LIABILITY. Other than the obligation to repair or replace as provided above, ATG Electronics shall have no liability for any losses, expenses or damages as a result of the installation, use, inability to use, removal or replacement of any LED product. ATG Electronics will not under any circumstances whether as a result of breach of contract, breach of warranty, tort, strict liability or otherwise be liable for consequential, incidental, special or exemplary damages including but not limited to, loss of profits or revenues, loss of any other goods or associated equipment or damage to any associated equipment, cost of capital, cost of substitute products, facilities or services, down time cost or claims of claimant's customers. ATG Electronics liability on any claim of any kind for any loss or damages arising out of, resulting from or concerning any LED product, any aspect of this warranty or for any products or services furnished hereunder shall not exceed the price of the fixture which gives rise to the claim.

Return and Repair Procedures

All warranty requests and or questions are to be directed to ATG Electronics Customer Service Department (CSD) at 888-618-7298. If deemed necessary, the CSD will issue a Returned Merchandise Authorization (RMA) number which must be included on both the packing slip of the component or fixture being returned and on the outside of the box. You must include your name and contact information, including your email address, on the packing slip so that we can contact you easily. Each component or fixture must be packaged very carefully and properly so as to prevent damages in shipment and must be shipped freight prepaid. Please obtain a proof of delivery to ensure that the material is received.

Once the component or fixture has been received and tested, an evaluation report will be provided to the end user via email. This report will clarify the following:

- A) The component / fixture is covered under the warranty policy and will either be repaired or replaced.
- B) The component / fixture is not covered under the warranty policy and the reason for this determination.

If ATG ELECTRONICS determines that the component or fixture is covered under the warranty, then the appropriate repairs will be started or a replacement fixture will be manufactured and shipped. Please note that in the event the returned component or fixture is found not to be covered under this warranty, you may be subject to a labor charge for the evaluation process and will be responsible for all return shipping charges and fees. For components and fixtures determined to be covered under this warranty prior to the first anniversary of the Sale Date, the repaired or replacement component or fixture will be returned to you at no charge. You will be responsible for all other shipping charges.

No Labor Reimbursement

All components and fixtures determined to be covered by this warranty as provided above, will be repaired or replaced at no charge to the customer, however, except as expressly provided above with respect to recessed and linear fixtures during the first year, the customer must hire and pay for an electrician to remove and reinstall such components and fixtures. No labor costs will be covered for the removal or reinstallation of any components or fixtures. The warranty does not cover modifications, repairs or replacements, or the related labor or materials costs, that may be necessary to facilities or third party products in connection with the removal, repair, or replacement of any LED product under this warranty.