

**GRL**



**GRL**

DUO SELECTABLE LED ROUND CANOPY

**GRL**  
DUO Selectable LED Round Canopy



**DESCRIPTION**

General Purpose LED Canopy Light | Power & CCT Selectable |  
120-277VAC Input (347-480VAC Optional) | 0-10V Dimming



**PRODUCT FEATURES**

- Color Select Technology (3000K/4000K/5000K)
- Power Select Technology (70W/60W/40W)
- Heavy Duty Die-Cast Aluminum Housing, With 1/2" NPT Threaded Conduit Hubs
- White Finish Comes Standard, Other Finish Color Available (Extra Lead Time Will Apply)
- Surface Mount & Pendant Mount Available
- Microwave Sensor Available (Order Separately)
- Emergency Backup Available (Order Separately)
- Input: 120-277VAC, 50/60Hz (347-480VAC Optional)
- Ingress Protection Rating of IP65
- Operating Temperature: -40°F(-40°C) to 104°F(40°C)
- CRI>80, Power Factor >0.95, THD <20%
- Calculated L70 Lifetime >136,000 Hrs @ 25°C/77°F Ambient Temperature
- 10 Year Limited Warranty Provided

**APPLICATION**

Parking Garages, Gas Stations, Tunnels, Train Stations, Underpasses, Storefront Soffits, Covered Walkways

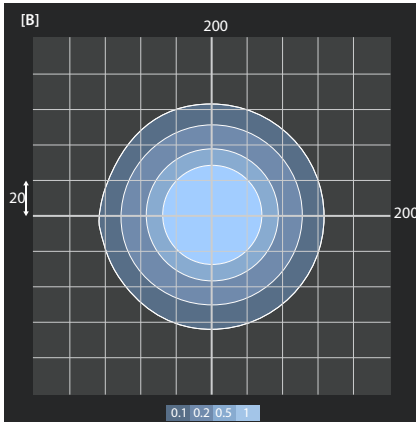
**PRODUCT SPECIFICATIONS**

Part Number	Input	Nominal Wattage(W)	3000K			4000K			5000K		
			Wattage (W)	Efficacy (LM/W)	Lumens (LM)	Wattage (W)	Efficacy (LM/W)	Lumens (LM)	Wattage (W)	Efficacy (LM/W)	Lumens (LM)
GRL-70W-T1-F	120-277V	40	39.3	150.0	5,901	38.3	166.7	6,389	39.3	165.6	6,499
		60	58.7	143.5	8,424	56.5	161.7	9,134	67.0	159.8	10,710
		70	69.0	137.7	9,503	57.9	156.2	9,047	69.4	152.8	10,611

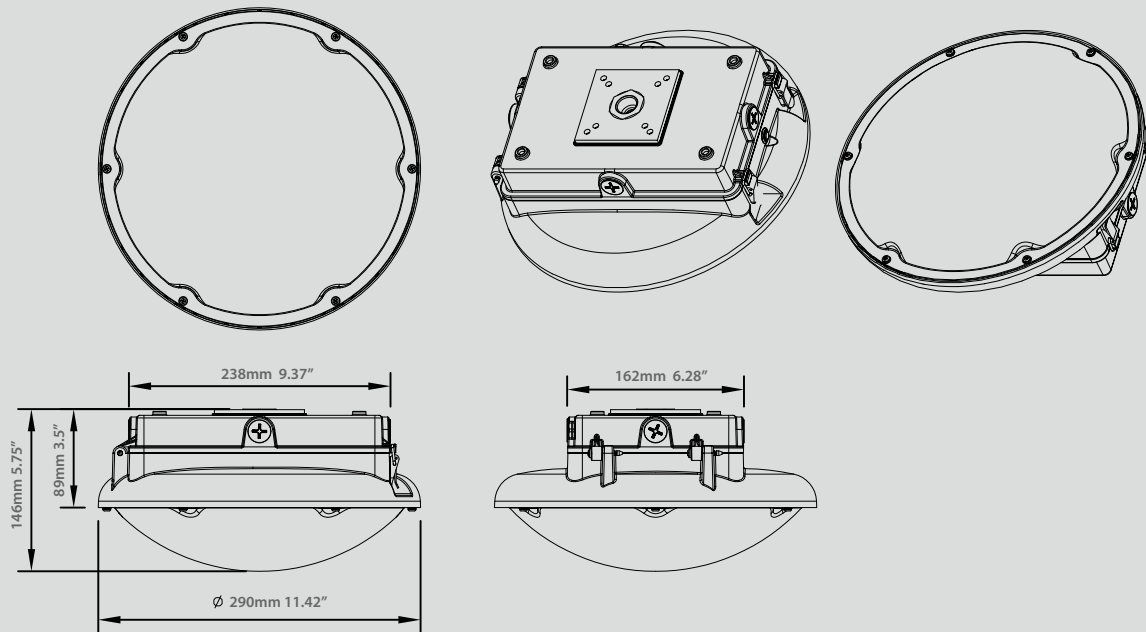
**GRL**  
DUO Selectable LED Round Canopy

**LIGHT DISTRIBUTION PATTERN**

GRL-70W-T1-F @70W,4000K



**PHYSICAL SPECIFICATIONS**



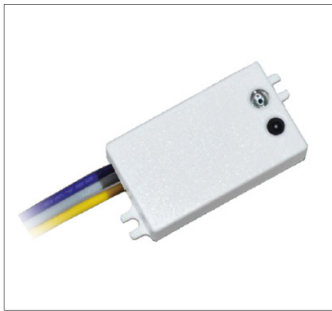
Model	Fixture Dimension		Packing	Net Weight	Gross Weight
	Diameter	Height			
GRL-70W-T1-F	11.4"	5.7"	13.4"*13.4"*7.5"	2.13 KG	2.9 KG

Ambient Test Temp	Reported Hrs	0 Hrs	25,000 Hrs	50,000 Hrs	100,000 Hrs	L70 Hrs
25°C / 77°F	54,000	1	0.9389	0.8793	0.7711	136,000

**GRL**  
DUO Selectable LED Round Canopy

**ADDITIONAL ACCESSORIES (SOLD SEPARATELY)**

ATG CODE	MODEL NUMBER	DESCRIPTION
SH	ANT-9	Microwave Motion Sensor, 12VDC
R1	RC-100	Remote for ANT-9



ANT-9



RC-100

**ORDER FORMAT**

Series	Wattage	CCT	Input Voltage	Lens	Options
GRL	70W	T1			
	70W= 70W Selectable range:70W/60W/40W	T1= CCT Selectable range: 3000K/4000K/5000K	Blank= 100-277VAC V= 347-480VAC	F= Frosted	SH= ANT-9 Blank =w/o Sensor