

**WPDSZ**

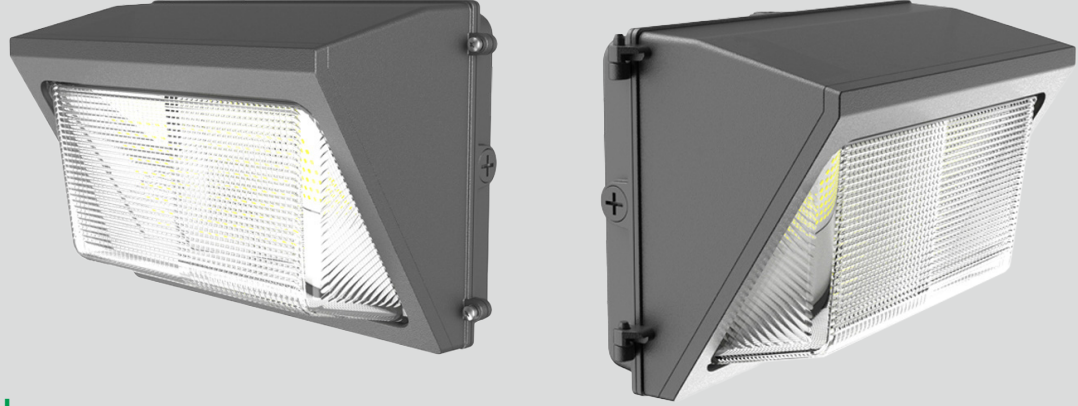


**WPDSZ**

**DUO Selectable LED Wall Pack**



**WPDSZ**  
DUO Selectable LED Wall Pack



**DESCRIPTION**

Classic Non-Cutoff LED Wall Pack | 120-277V Input | Power & CCT Selectable | 0-10V Dimming



**PRODUCT FEATURES**

- Heavy Duty Die Cast Aluminum Housing, With Glass Striped Lens
- Ingress Protection Rating of IP65
- Color Select Technology (3000K/4000K/5000K)
- Power Select Technology (120W/90W/60W/30W)
- Calculated L70 Lifetime >136,000 Hrs @25°C/77°F Ambient Temperature
- On/Off Photocell Pre-installed
- Microwave Sensor Available (Order Separately)
- Emergency Backup Available (Order Separately)
- Input: 120-277VAC, 50/60Hz
- Operating Temperature: -22°F (-30°C) to 113°F (45°C)
- CRI>80, Power Factor >0.95, THD <20%
- 10 Year Limited Warranty Provided

**APPLICATION**

Building Exterior Illumination, Perimeters, Pathways, Loading Docks, Security Lighting

**PRODUCT SPECIFICATIONS**

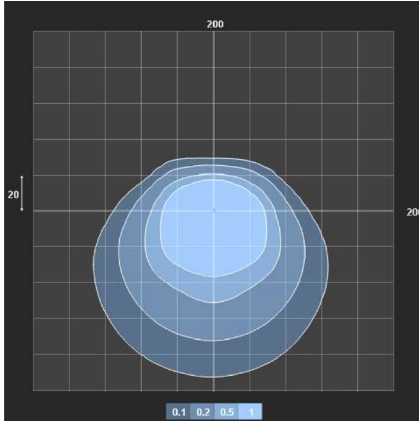
Part Number	Input	Nominal Wattage(W)	3000K			4000K			5000K		
			Wattage (W)	Efficacy (LM/W)	Light Output(LM)	Wattage (W)	Efficacy (LM/W)	Light Output(LM)	Wattage (W)	Efficacy (LM/W)	Light Output(LM)
WPDSZ-120W-T1-G5	120-277V	30	31.5	131.3	4,139	31.3	149.5	4,680	30.8	143.8	4,427
		60	63.3	124.3	7,865	62.2	143.1	8,903	60.6	142.6	8,646
		90	92.1	126.8	11,674	88.1	145.4	12,809	90.3	145.3	13,112
		120	122.1	119.8	14,627	115.7	142.0	16,435	119.8	140.9	16,880

\*All data based on in-house IES files

**WPDSZ**  
DUO Selectable LED Wall Pack

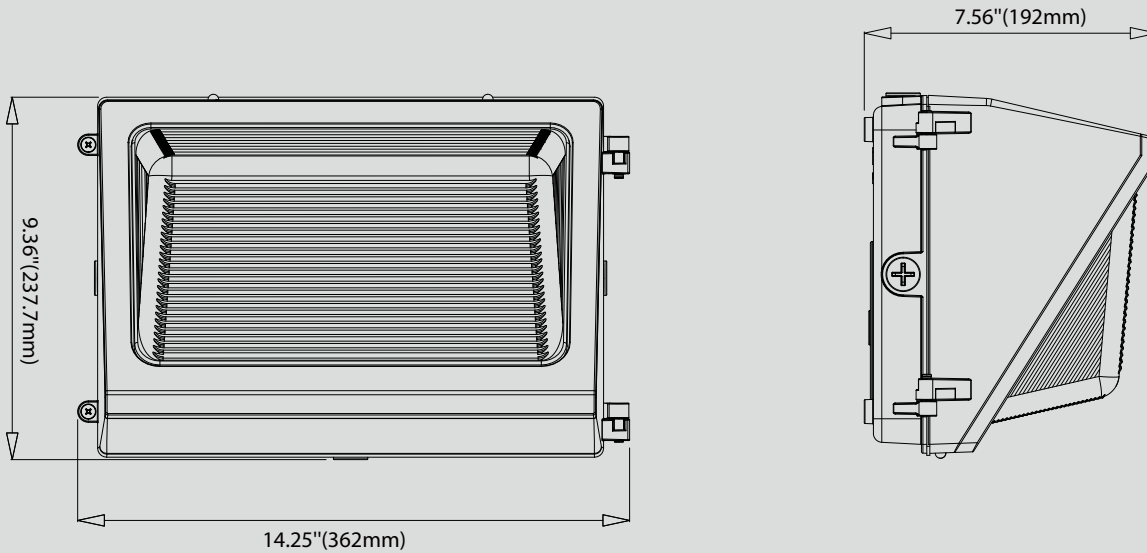
**LIGHT DISTRIBUTION PATTERN**

WPDSZ-120W-T1-G5 @120W,4000K



The post top fixture is mounted at 20 ft. Calculation Area is set as 200 x 200 ft and the point spacing is 30 x 30 ft.

**PHYSICAL SPECIFICATIONS**



Model	Fixture Dimension			Packing	Net Weight	Gross Weight	BUG
	Width	Height	Depth				
WPDSZ-120W-T1-G5	14.25"	9.36"	7.56"	14.96"*11.02"*9.45"	4.2KG	4.9KG	B4-U5-G5

Ambient Test Temp	Reported Hrs	0 Hrs	25,000 Hrs	50,000 Hrs	100,000 Hrs	L70 Hrs
25°C / 77°F	54,000	1	0.93884	0.8784	0.7696	136,000

## WPDSZ

DUO Selectable LED Wall Pack

### ADDITIONAL ACCESSORIES (SOLD SEPARATELY)

ATG CODE	MODEL NUMBER	DESCRIPTION
S0	BRI823-X-D	Digital PIR Bi-level Sensor, 120/277VAC, IP65
EC	EMB08YY-050	Emergency Kit, Input: 120-277VAC, Emergency Output: 8W, 25-50VDC
SQ	HB01DMS	Microwave Occupancy Sensor, 12VDC



BRI823-X-D



EMB08YY-050



HB01DMS

### ORDER FORMAT

Series	Wattage	CCT	Input	Gen	Options
WPDSZ	120W= Power Selectable 120W/90W/60W/30W	T1= 3000K/4000K/ 5000K Select	Blank= 120-277VAC	G5	S0= BRI823-X-D EC= EMB08YY-050