

LOW VOLTAGE EXTERNAL PHOTO/MICROWAVE MOTION SENSOR-EFS06R

Features

- 0-10V Bi-level dimming control.
- 3.5mm Audio jack, save the installation cost at most.
- Operates on 12V DC which can be easily feed from a LED driver, saves OEM cost on manufacturer side.
- Perfectly fit in UFO high bays, area lights and wall packs that have limit to mount an external sensor.
- 5 modes, 10%-100% dimming level, 30"-30' delay time selectable allowed to customize your setting.
- IP65 rated for outdoor fixtures.
- Programs setup by a Remote controller (RM01).

Model Number

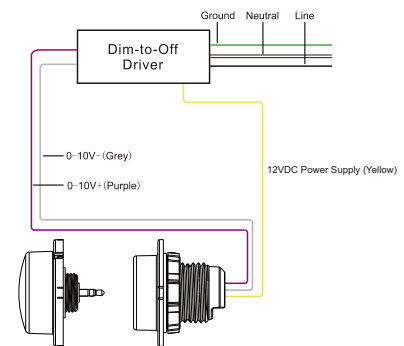
| Model | Description |
|--------|---|
| EFS06R | Low voltage external photo/microwave motion sensor, 0-10V dimming |
| RM01 | Remote Controller |



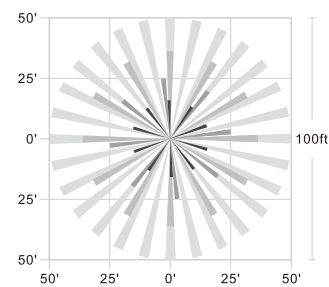
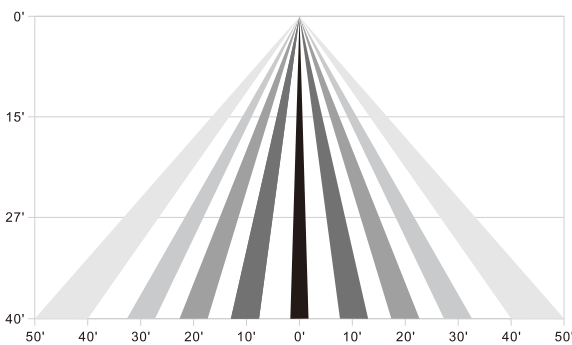
Specifications

| | |
|-----------------------|---|
| Input voltage | 12V DC |
| Power Consumption | 0.1W |
| Dimming | 0-10V |
| Mounting height | 40ft Max. |
| Detection range | 100ft Max. |
| Op. temperature | -30°F~-131°F (-30°C~55°C) |
| IP rate | IP65 |
| Mode setting | A, B, C, D, E |
| Dimming level setting | 10%, 20%, 30%, 50%, 60%, 70%, 80%, 100% |
| Delay time setting | 10s, 1min, 5min, 10min, 30min |
| Certification | UL |
| Warranty | Five year warranty |

Wiring



Coverage



Line Drawings

Unit:inch/mm

