



RoHS



# eLucent

## LOW BAY

ATG's eLucent Low Bay is purpose-designed for durable, efficient commercial lighting. The luminaire is ideally deployed for detail-intensive work, such as assembly lines, manufacturing areas, shipping zones, and food processing centers. ATG's LED Low Bay is proven to outperform high-end conventional luminaires in metrics of efficiency, longevity, and light output.

### OPTICS

The eLucent Low Bay is available in 5000K brightness, optimal for industrial and warehouse environments. CRI is rated at 70+, providing color fidelity for visually sensitive tasks. The fixture's protective shroud is prismatic polycarbonate chosen for its strength and corrosion resistance. A wide beam aluminum reflector is used to maximize light distribution.

### ELECTRICAL

The luminaire's efficacy is 112 Lm/W for the 60W model and 115 Lm/W for the 90W model. Luminaire lifespan is >50,000 hours. Standard input voltage is 120~277V, and 347~480V drivers are available on all units.

### MOUNTING

The luminaire is best mounted via suspension using cable mount or pendant mount. Maximum recommended installation height for the eLucent Low Bay is 18 ft.

### CONSTRUCTION

Formed from extruded and cast aluminum, the luminaire is high-strength and resistant to corrosion. The aluminum body integrates high-efficiency thermal management that ensures reliable function and long fixture lifespan. The eLucent Low Bay's robust, efficient performance has seen it be purposed for applications as wide-ranging as stadiums, gymnasiums, hangars, and farms.

### FINISH

The aluminum housing is finished in a professional silver exterior. The elegant, neutral color is suitable for workspaces or more utilitarian areas. The coating has been chosen for its toxin-free composition and superior resistance to external wear.

- Certified DLC 4.1 Standard
- Luminous Efficacy of 112 lm/W or greater
- Available in 60W and 90W models
- 1-10V Dimming with Photocell or Motion Sensors for Title 24 Compliance

### OPTIONS

1-10V Dimming with photocell or motion sensors

Knockout Functionality

Emergency Battery Backup

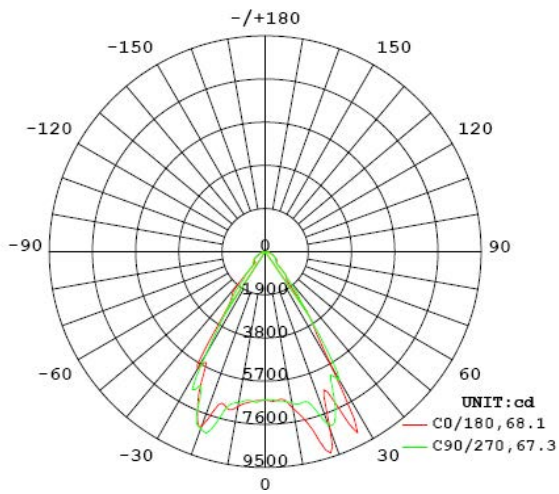




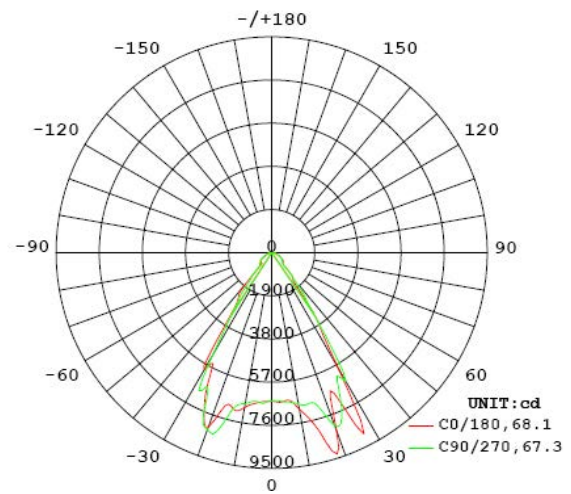
SAMPLE ORDER: HBCC-60-50-G2

SERIES	SHAPE	WATTAGE	VOLTAGE	CCT	DIMMING	OPTIONS
HBCC= Low Bay	CC= Circular	60=60W 90=90W	S=120-277VAC C=347-480VAC	50K=5000K	10= 1-10V Dimming N= Non- Dimming	BI= Bi-level OF= On/Off PH= Photocell EM= Emergency Backup Battery

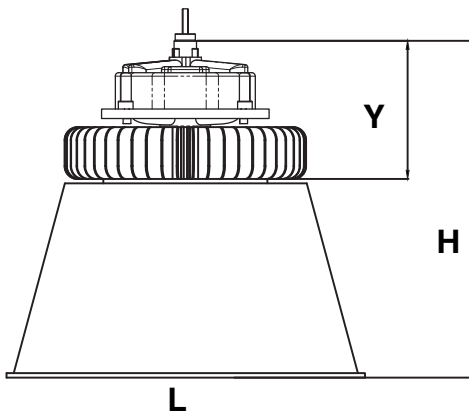
PART NO.	WATTS(W)	INPUT VOLTAGE(VAC)	EFFICACY(LM/W)	LUMENS(LM)	CRI	CCT(K)	PF	THD	L70 (HOURS)	DIMENSIONS (L*H)(Y) (INCHES)
HBCC-60-50	61.10	120-277	112	6900	70+	5000	>0.9	<15%	58,000	15.71*15.35 6.30
HBCC-90-50	88.72	120-277	115	10200	70+	5000	>0.9	<20%	58,000	18.9*19.45 7.48
COLOR	HOUSING	LENS TYPE	CERTIFICATION	WARRANTY	*Not all versions of this product may be DLC-qualified. Please inquire with our sales team.					
Black & Silver	Cast & Extrusion Aluminum	Prismatic PC & Rolled Aluminum	DLC, ETL	5 Years						



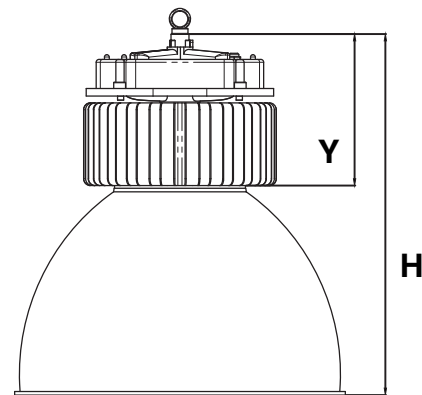
60W



90W



L



L