

eLucent™

DL Series LED Downlights

Family Model

eLucent LED Downlight 3"
 eLucent LED Downlight 4"
 eLucent LED Downlight 6"



eLucent™ DL Series LED Downlights are energy-efficient LED recessed retrofits designed to replace conventional halogen and compact fluorescent (CFL) lights. They are widely used in hospitality, as well as in commercial, and residential locales.

eLucent™ DL Downlights achieve a superlative luminous efficacy of 75lm/W through the utilization of ultra-bright SMD LEDs and reflective materials innovated by Japanese companies. Using the current design, junction temperature also remains excellent, at under 50 centigrade thanks to a highly effective heat sink design.

With piano style paint work and frosted anti-glare lenses, eLucent™ DL Downlights project an elegant air, while providing light that is comfortable to the eyes. They can ONLY be used for dry wall installation with spring-loaded clips and do not fit into recessed cans.

eLucent™ DL Downlights come with reliable constant-current external drivers which guarantee reliable and excellent electrical performance. They are available in three dimensions: the eLucent™ DL3 fits into 3 inch fittings; the eLucent™ DL4 fits into 4 inch fittings; and eLucent™ DL6 fits into 6 inch fittings. All models are ETL Listed, ETL No.: 4003329.

Performance Summary

Power consumption: 7.5W, 14W, 18W

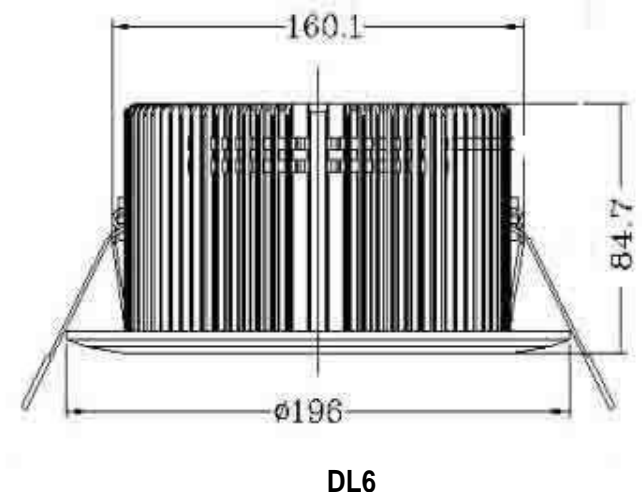
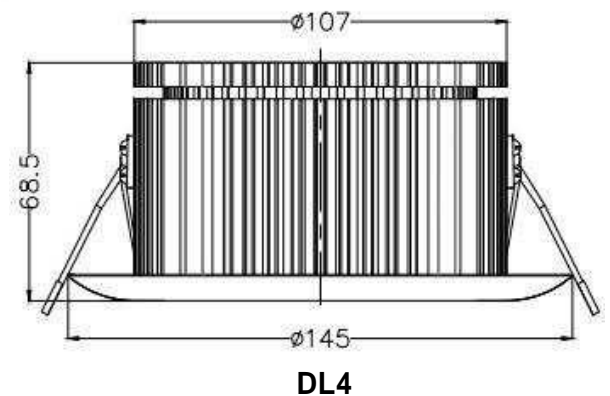
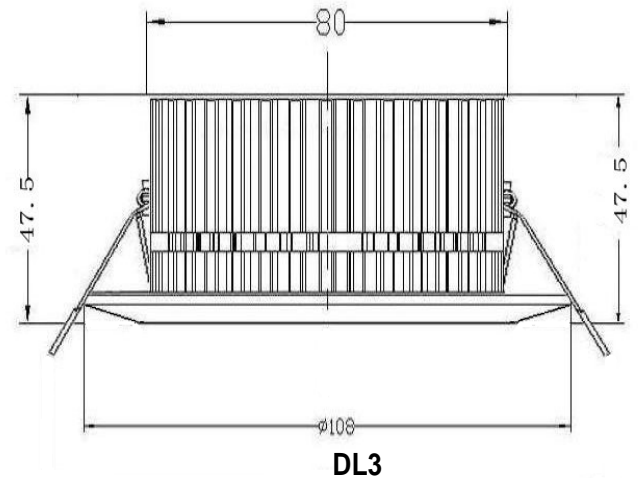
Lumens: 560 lm, 1050 lm, 1450 lm

CCT: 3500 K, 4500 K, 5500 K

CRI: >75

Recommended Applications

Widely used in hospitality, as well as in commercial, and residential locales



Unit: mm



www.atgelectronics.com Toll free: 877-461-5333



ATG ELECTRONICS

Ordering Information

Typical Order Example: DLDW06L3500000

SERIES	STANDARD	SIZE	VOLTAGE	CCT	OPTION A	OPTION B
DL=Downlight	DW=Dry Wall	03=3" 04=4" 06=6"	HU=100-277V	30=3500K 40=4500K 50=5500K	00=Default	00=Default

Product Specifications

CONSTRUCTION & MATERIALS			
Type	eLucent DL3	eLucent DL4	eLucent DL6
Dimension	D108*H47.5 mm (D4.25*H1.87 inch)	D145*H68.5 mm (D5.71*H2.70 inch)	D196*H84.7 mm (D7.72*H3.33 inch)
Housing	Die-cast aluminum		
Lens Type	Frosted		

ENVIRONMENTAL SYSTEM	
Work Environment	Only suitable for dry wall installation, not fit into recessed cans
Operating Temperature	-10-50°C (14-122°F)

OPTICAL SYSTEM			
Type	eLucent DL3	eLucent DL4	eLucent DL6
Luminous Flux	560lm	1050 lm	1450 lm
Luminous Flux (Emergency) *	-	-	1015 lm
Luminous Efficacy	75lm/W		
Color Temperature	3500 K, 4500 K, 5500 K		
CRI	>75		
Beam Angle	120°		

*For more information about emergency application, please check the catalog for ATG Emergency Driver.

ELECTRICAL SYSTEM			
Type	eLucent DL3	eLucent DL4	eLucent DL6
Power Consumption	7.5W	14W	18W
Input Voltage	100-277VAC		
Power Factor	0.95		

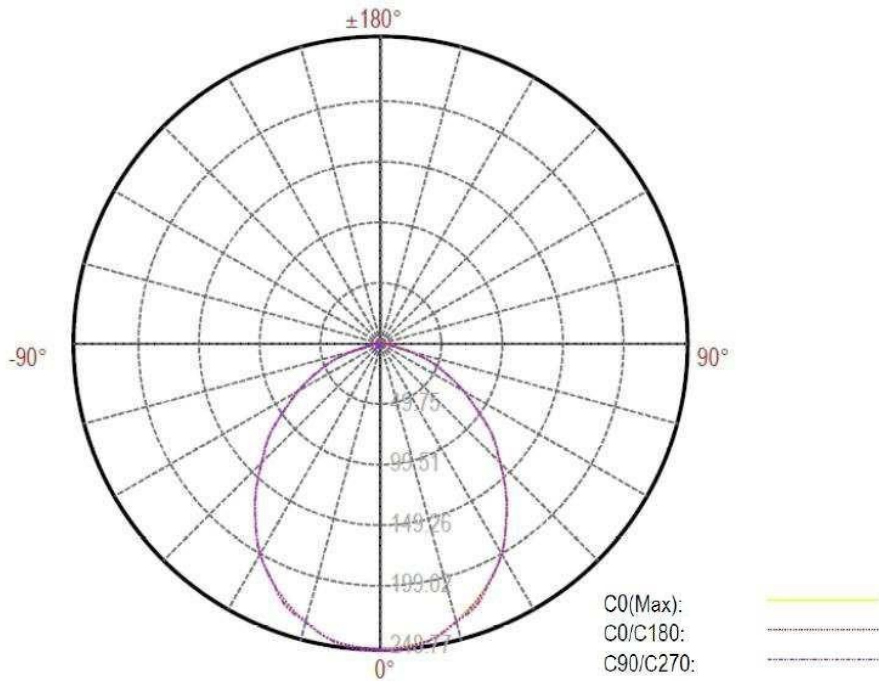
REGULATORY & VOLUNTARY QUALIFICATIONS
ETL
FCC
IESFile
CE, RoHS



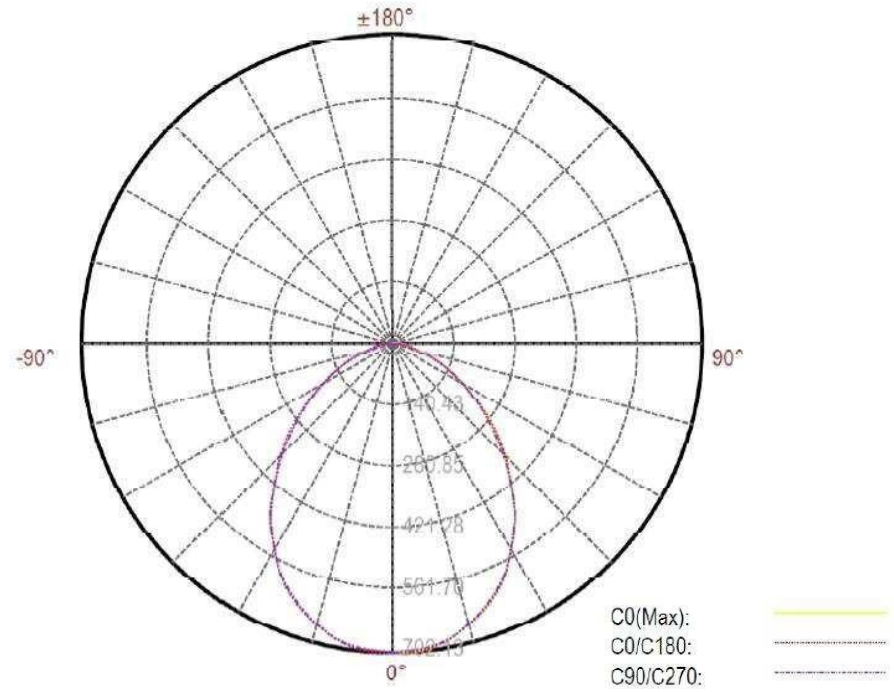
Photometric

Luminous Intensity Distribution Diagram (UNIT: cd)

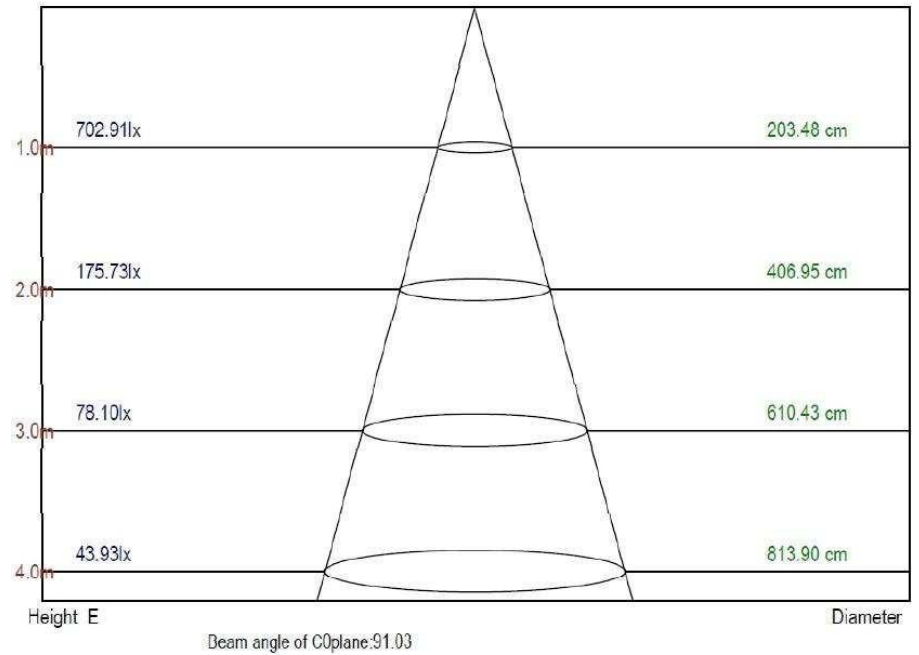
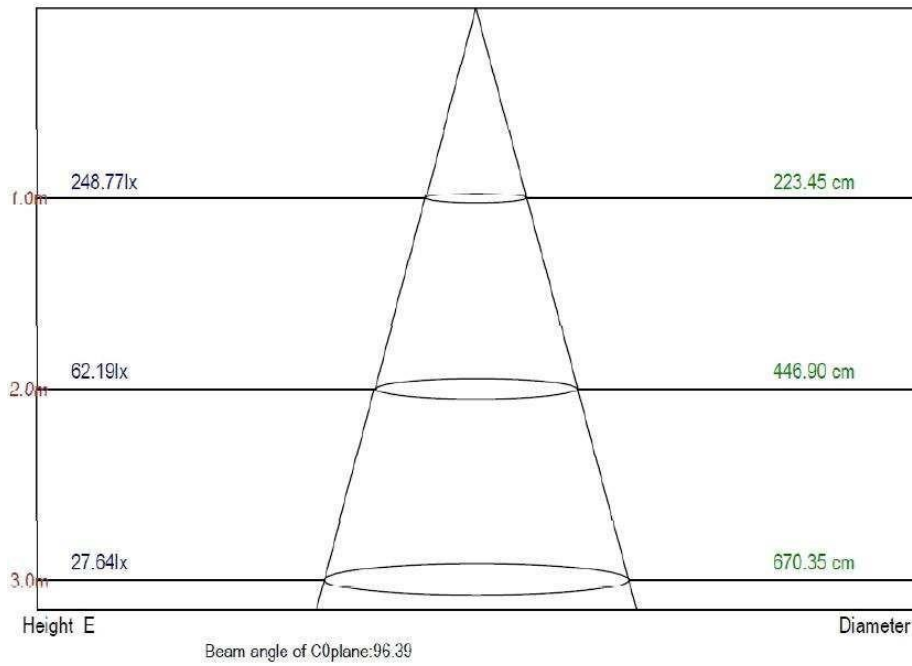
DLDW03L3600000



DLDW06L3600000



AAIFigure





ETL FC CE RoHS

www.atgelectronics.com Toll free: 877-461-5333



ATG ELECTRONICS