



eLucent™ 430W LED highbay

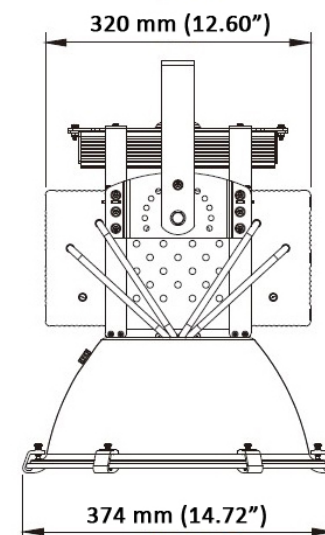
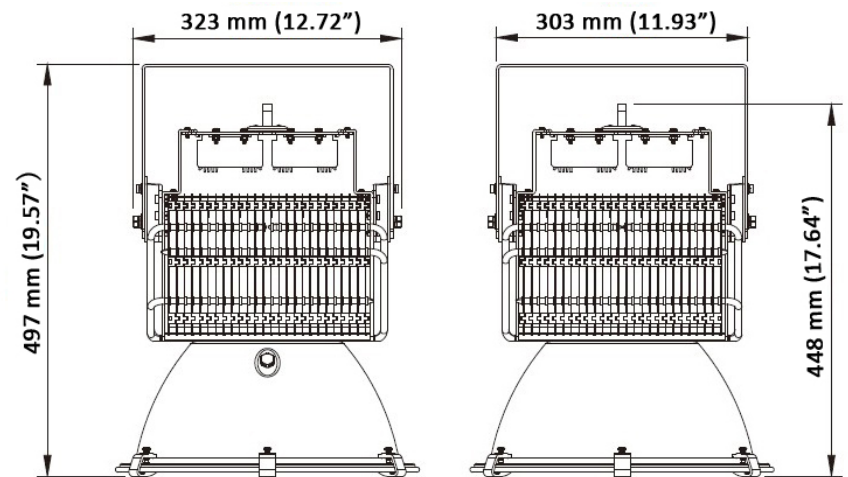
Family Model: HBCC43

## Product Description

Excellent heat dissipation design. Less than 50C Temperature.

Light and tidy body design. Net weight only 11 KG.

Built with high end components: Cree LED & Meanwell driver inside.



## Performance Summary

Input: 430W, 100~277VAC

Luminous efficacy: Typ. 88 lm/W

Lumens: 38000+ lm

CCT: 5000 K

Color Accuracy: CRI >70

PF>0.95/ THD<10%



## Ordering Information

Typical Order Example: HBCC43HU500000

SERIES	SHAPE	WATT (x10)	VOLTAGE	CCT	OPTION A	OPTION B
HB=High Bay	CC=Circular	43=400W	HU=100-277VAC	50=5000K	00=Default	00=Default

## Product Specifications

CONSTRUCTION & MATERIALS	
Dimension	D374*H497 mm (D14.72*H19.57 inch)
Housing	Die cast Aluminum
Finish Color	Black

ENVIRONMENTAL SYSTEM	
Work Environment	Indoor
Operating Temperature	-20~50 °C (-4~122 °F)

OPTICAL SYSTEM	
Luminous Flux	38,000+ lm
Luminous Efficacy	88 lm/W
Color Temperature	5000 K
CRI	>70
Lumen maintenance at 6000h	98.89%

ELECTRICAL SYSTEM	
Input Voltage/Current	100~277VAC
Power Consumption	430 W
Power Factor	>0.95
THD	<10%

