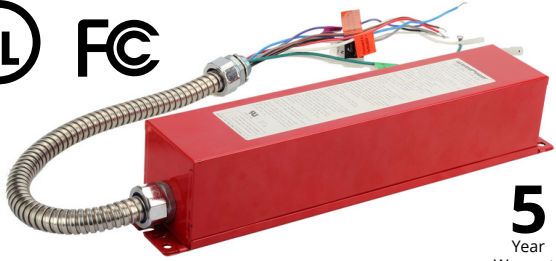


# WP-25U-48-EA Emergency LED Driver

Indoor

Protects against short-circuits, open-circuits, and over-load.



### Features

- Wide input voltage range AC100-277V, to meet the needs of the vast majority of the global grid.
- 4 different current option, to meet the needs of different LED load.
- 90 minutes emergency time, meet UL requirements to emergency lighting discharge time.
- Maintenance-free NI-CD batteries, no risk of fire and explosion.
- 5 years warranty.

### Operation

In order to prevent electric shock, do not connect the emergency power supply battery connection terminal and AC power before installing. Before disassembling or servicing, disconnect the AC power and unplug the emergency power battery connection terminal. Emergency power supply and AC driver must be on the same circuit branch.

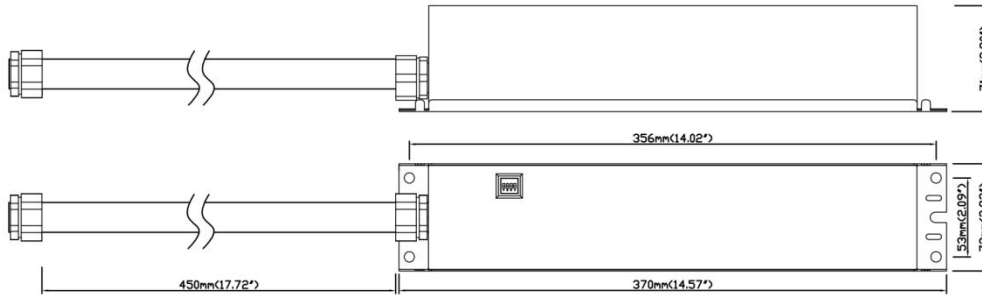
### Ordering Data

Max Output Watts	Output Current (mA)	Charging time	Battery	Response time	Operating time	Net Weight	Dimension
24.5W	520 590 690 1050	24H	Ni-cd 14.4V 57.6WH	<5S	≥90min	2.48Kg ±5%	370*72*71mm

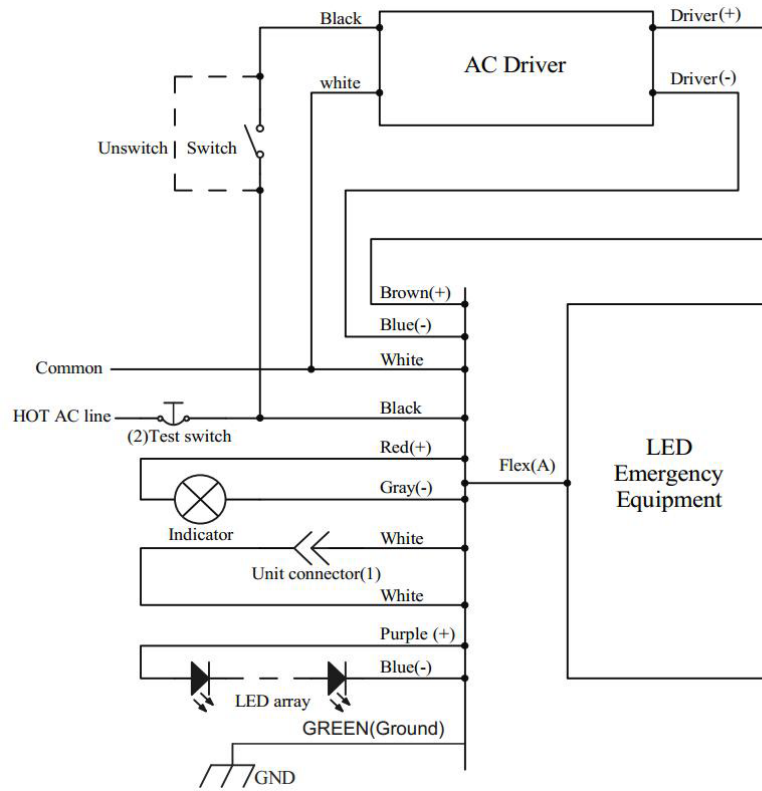
Input Information	
Line Voltage (AC Operation)	100-277Vac
Line Frequency	50/60Hz
Line Current	≤0.12A
Inrush Current	≤60A Per NEMA 410
Inrush Current	24H
battery	Ni-cd 14.4V 57.6WH
Standby Power	≤6W
Output Information	
Max Output Power	24.5W
Max Output Power	18-24Vdc 24-36Vdc 36-42Vdc 42-48Vdc
Output Current Range	1050mA 690mA 590mA 520mA
Output Current Accuracy	±10%
Response time	<5S
Emergency time	≥90min
Indicator status	Fast flash: the battery is not connected before power on; often bright: normal charge.
Protection	
Open Circuit Protection	Open Circuit Voltage Max. 75V
Short Circuit Protection	Hiccup mode, auto recovery.
Environment	
Operating Temperature/Humidity	-0 °C ~ +50 °C/10%RH-80%RH
Storage Temperature/Humidity	-25 °C~85 °C/5%RH-90%RH
Safety and Regulation	
Certification	FCC, UL
Withstand Voltage	I/P-O/P:3.75KVac,5mA,60S I/P-G:1.5KVac,5mA,60S
Insulation Resistance	I/P-O/P:500Vac,>100MΩ
Surge Rating	Meet to IEC61000-4-5(L-N 3KV)
EMC	Meet to EN61000-3-2,FCC Part15B
Other	
Dimension and Weight	WP-25U-48-EA:L*W*H 370*72*71mm, weight: 2.48Kg
IP Grade	IP20



**Dimensions**



**Wiring**



**Selectable Output Current Options**

Output Current	1	2	3	4
1050mA	ON	-	-	-
690mA	-	ON	-	-
590mA	-	-	ON	-
520mA	-	-	-	ON

