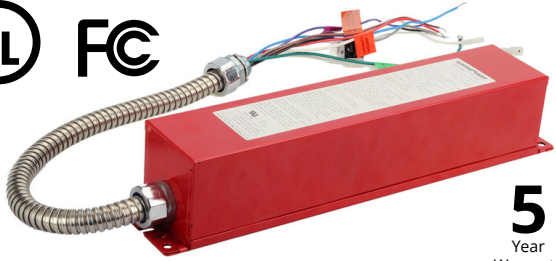


WP-08U-48-EA Emergency LED Driver

Indoor

Protects against short-circuits, open-circuits, and over-load.



Features

- Wide input voltage range AC100-277V, to meet the needs of the vast majority of the global grid.
- 4 different current option, to meet the needs of different LED load.
- 90 minutes emergency time, meet UL requirements to emergency lighting discharge time.
- Maintenance-free NI-CD batteries, no risk of fire and explosion.
- 5 years warranty.

Operation

In order to prevent electric shock, do not connect the emergency power supply battery connection terminal and AC power before installing. Before disassembling or servicing, disconnect the AC power and unplug the emergency power battery connection terminal. Emergency power supply and AC driver must be on the same circuit branch.

Ordering Data

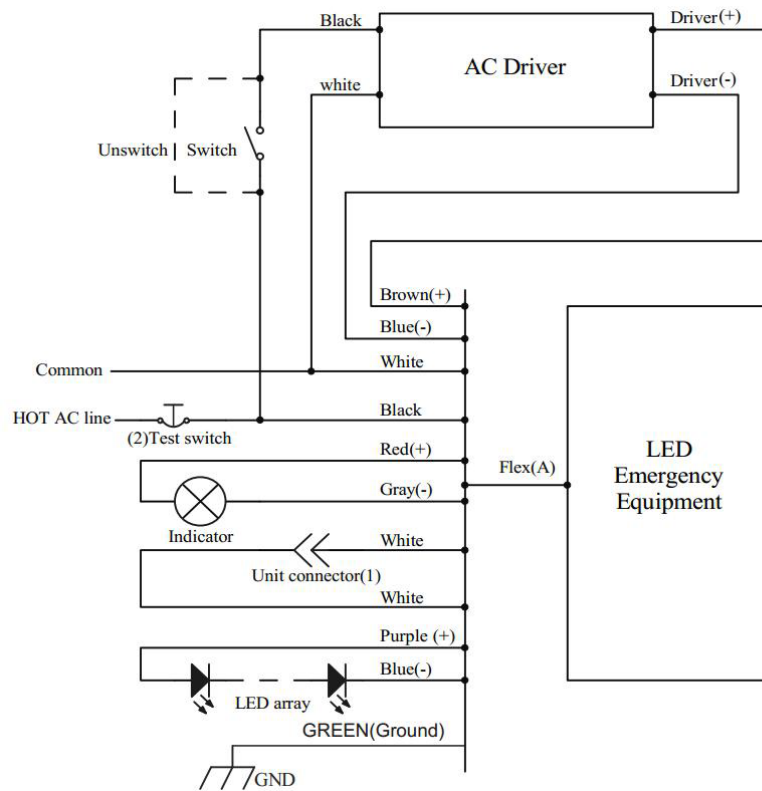
Max Output Watts	Output Current (mA)	Charging time	Battery	Response time	Operating time	Net Weight	Dimension
8W	160 220 330 440	24H	Ni-cd 9.6V 24WH	<5S	≥90min	1.43Kg ±5%	264*57.6*56mm

Input Information	
Line Voltage (AC Operation)	100-277Vac
Line Frequency	50/60Hz
Line Current	≤0.1A
Inrush Current	≤60A Per NEMA 410
Inrush Current	24H
battery	Ni-cd 9.6V 24WH
Standby Power	≤5W
Output Information	
Max Output Power	8W
Max Output Power	12-18Vdc 18-24Vdc 24-36Vdc 36-48Vdc
Output Current Range	440mA 330mA 220mA 160mA
Output Current Accuracy	±10%
Response time	<5S
Emergency time	≥90min
Indicator status	Fast flash: the battery is not connected; often bright: normal working.
Protection	
Open Circuit Protection	Open Circuit Voltage Max. 75V
Short Circuit Protection	Hiccup mode, auto recovery.
Environment	
Operating Temperature/Humidity	-0 ° C ~ +50 ° C/10%RH-80%RH
Storage Temperature/Humidity	-25 ° C~85 ° C/5%RH-90%RH
Safety and Regulation	
Certification	FCC, UL
Withstand Voltage	I/P-O/P:3.75KVac,5mA,60S I/P-G:1.5KVac,5mA,60S
Insulation Resistance	I/P-O/P:500Vac,>100MΩ
Surge Rating	Meet to IEC61000-4-5(L-N 3KV)
EMC	Meet to EN61000-3-2,FCC Part15B
Other	
Dimension and Weight	WP-08U-48-EA L*W*H :264*57.6*56mm, weight: 1.43Kg WP-08U-48-EM L*W*H :430*57*35mm, weight: 1.49Kg
IP Grade	IP20

Dimensions



Wiring



Selectable Output Current Options

Output Current	1	2	3	4
440mA	ON	-	-	-
330mA	-	ON	-	-
220mA	-	-	ON	-
160mA	-	-	-	ON

