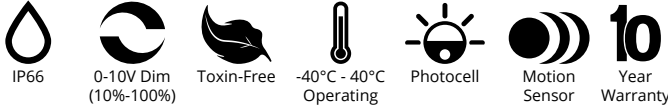
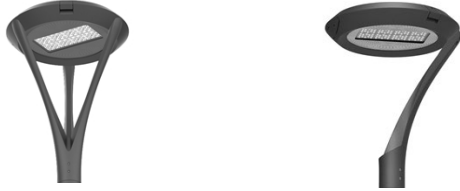


PTV Clio Post Top

Outdoor



The Clio Post Top is a decorative post top with high lumen output. These fixtures, inspired by the organic shapes of nature, become complimentary objects day or night in architectural environments. Find this lantern in parks, business complexes, and public spaces with contemporary urban design.



Luminaire	Clio Post Top	Type
Project		
Product		
Notes		

Features
<ul style="list-style-type: none"> Sleek modern design Advanced optics, T2,T3,T4,T5 options available Tempered glass



Order Format

Sample: PTV-60-50-T3

Series	Wattage	CCT	Voltage	Optics	Mounting	Finish	Optional Accessories
PTV	25 25W 35 35W 60 60W 80 80W	40 4000K 50 5000K	Blank 100-277V V 347-480V	T2 T3 T4 T5	Blank 3 Arm(standatd) SA 1 Arm	Blank Bronze Custom	S4 MS-GRL PIR Motion Sensor P1 JL-207 3-Pin Photocell RE RE-207 Receptacle for 3-Pin Photocell

Application

The Clio Post Tops offer post top mounting.



Construction

The housing is die-casted as one piece with internal cooling fans. The model is casted from corrosion resistant aluminum, maintaining strength and precision for long term dayform appearance. This fixture is IP66 rated, with a molded silicon gasket throughout. Outside, the fixture is coated with premium AKZO polyester powder and a finish that is compliant with 1500 hrs of salt spray. 3 arm models are in stock, with 1 arm models available for custom orders.



Electrical

The decorative post tops produce a lumen output of 7,125 or greater lumens (60W). The fixture operates at a standard voltage of 100-277V and draws 25W to 80W of power. L70 is rated for 50,000 hours, or approximately 11.5 years at 12 hours a day of operation.

Optics

The Clio Post top luminaires are available in the standard offering of CCT 5000K. TypeII-S, Type III-S, TypeIV-S, and Type V-S optics are offered by this fixture.

Certifications

- ETL
- CE
- RoHS
- Title 24
- IP66 rated

Input Voltage (VAC)	100-277 347-480*
CRI	70+
CCT(K)	4,000, 5,000
PF	>.92
THD	<10%
L70 (Hours)	50,000+
Color	Bronze(RAL8019),Custom*
IK Rating	IK10
Optic Types	II, III, IV, V
Temperature Range	-40°C to 40°C
Warranty	10 Years

*please contact sales for lead time and adding cost on custom finish

*offer step-down transformer for 347-480V application

Lumen Data



Wattage (W)	4K											
	System W	T2		T3			T4			T5		
		Efficacy (Lm/W)	Lumens (Lm)	System W	Efficacy (Lm/W)	Lumens (Lm)	System W	Efficacy (Lm/W)	Lumens (Lm)	System W	Efficacy (Lm/W)	Lumens (Lm)
25	23.2	122	2798	23.3	123	2831	23	116	2664	23.3	110	2531
35	33	115	3794	32.9	112	3822	34	111	3760	33	103	3510
60	56.9	119	6748	56.6	119	6906	56.8	115	6903	56.8	108	6261
80	77.9	113	8766	80	113	9010	78	108	8421	78.4	106	8315
Wattage (W)	5K											
	System W	T2		T3			T4			T5		
		Efficacy (Lm/W)	Lumens (Lm)	System W	Efficacy (Lm/W)	Lumens (Lm)	System W	Efficacy (Lm/W)	Lumens (Lm)	System W	Efficacy (Lm/W)	Lumens (Lm)
25	23.2	128	2945	23.3	130	2979	23	122	2804	23.3	116	2664
35	33	121	3993	32.9	122	4023	34	116	3958	33	112	3695
60	56.9	125	7103	56.6	126	7269	56.8	122	6903	56.8	115	6590
80	77.9	118	9228	80	119	9484	78	114	8864	78.4	110	8753

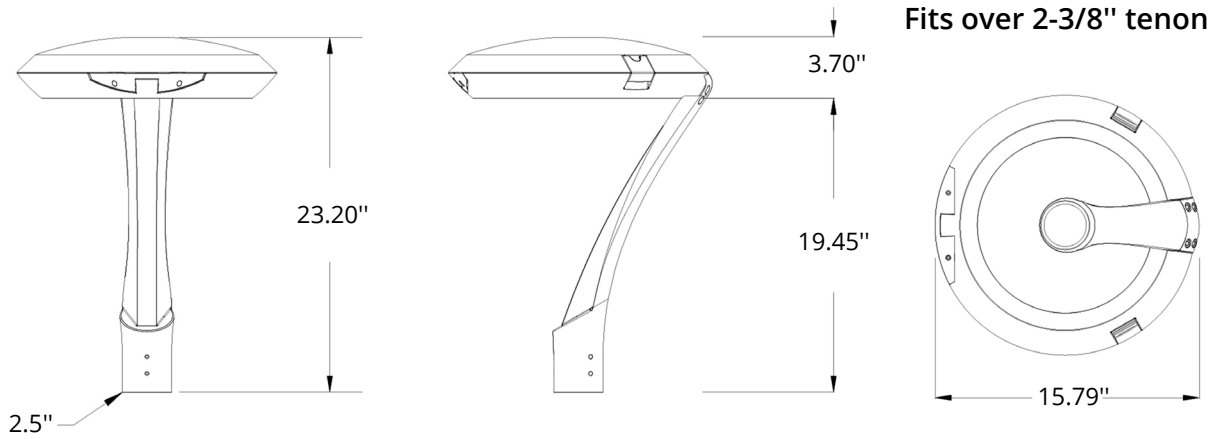


Wattage (W)	4K											
	System W	T2		T3			T4			T5		
		Efficacy (Lm/W)	Lumens (Lm)	System W	Efficacy (Lm/W)	Lumens (Lm)	System W	Efficacy (Lm/W)	Lumens (Lm)	System W	Efficacy (Lm/W)	Lumens (Lm)
25	23	116	2658	23	117	2689	23	110	2531	23	105	2404
35	35	108	3793	35	109	3822	35	107	3760	35.3	100	3510
60	54	113	6092	54	115	6234	54	116	6252	54.6	103	5652
80	77.9	99	7733	78	102	7948	78	95	7428	79.1	93	7336
Wattage (W)	5K											
	System W	T2		T3			T4			T5		
		Efficacy (Lm/W)	Lumens (Lm)	System W	Efficacy (Lm/W)	Lumens (Lm)	System W	Efficacy (Lm/W)	Lumens (Lm)	System W	Efficacy (Lm/W)	Lumens (Lm)
25	23	122	2798	23	123	2831	23	116	2664	23	110	2531
35	35	114	3983	35	115	4013	35	113	3948	35.3	104	3685
60	54	118	6397	54	121	6546	54	122	6565	54.6	109	5935
80	77.9	104	8120	78	107	8345	78	100	7800	79.1	97	7702

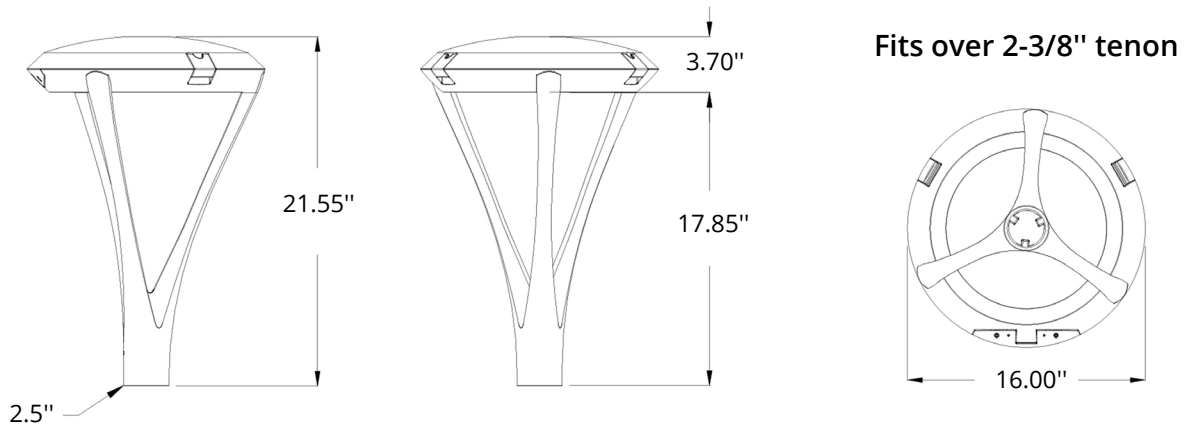
*Please contact sales for lead time before ordering

Dimensions

Clio One Arm



Clio Three Arm



Model Number	SPD	EPA		IK
		One Arm	Three Arm	
PTV-24	10KV	0.93	1.17	IK10
PTV-35	10KV	0.93	1.17	IK10
PTV-60	10KV	0.93	1.17	IK10
PTV-80	10KV	0.93	1.17	IK10

Sensor & Photocell

JL-207

3-Pin Photocell



The JL-207 photocell series is applicable to control street lighting, garden lighting, passage lighting and doorway lighting automatically in accordance with the ambient natural lighting level.

FEATURES

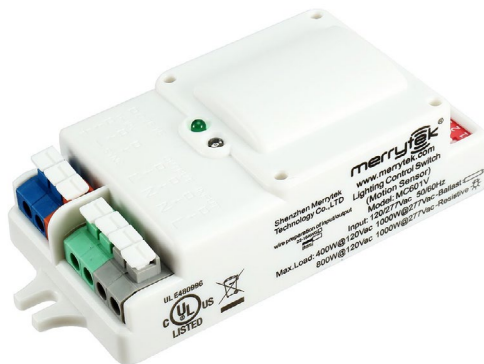
- Rated Voltage 120-277VAC
- Rated Frequency 50/60 Hz
- Rated Loading 1000W Tungsten,1800VA Ballast
- Power Consumption 0.5W
- Typical On/Off Level 16 Lx On/24 Lx Off
- Ambient Temp -40°C ~+70°C

*Please visit our website for more details:

<http://atgledlighting.com/wp-content/uploads/2019/04/JL-207.pdf>

MS-GRL

PIR Motion Sensor



MS-GRL can be used in combination with 1-10V dimmable LED drivers or ballasts to achieve 3-step dimming function. Daylight harvesting can be achieved by stand-alone daylight sensor. Detection area, time delay and daylight threshold can be precisely set via DIP switch.

FEATURES

- Rated Voltage 120-277VAC
- Rated Loading 400W@120V;800W@220V;1000W@277V
- Detection Zone 52ft*49ft
- Detection Sensitivity 10%/50%/75%/100%
- Hold Time 5s/30s/90s/3m/20m/+ ∞
- Daylight Sensor 2lux/5lux/10lux/25lux/50lux/100lux/Disable
- Stand-by Period 0s/5s/5m/10m/30m/1h/+ ∞
- Stand-by Dimming Level 10%/20%/30%/50%
- Ambient Temp -35°C ~+70°C

*Please visit our website for more details:

<https://atgledlighting.com/wp-content/uploads/2018/12/MS-GRL.pdf>

RE-207

Receptacle for 3-Pin Photocell



Receptacle for JL-207 series.Can be pre-installed.

10 Year Warranty

ATG Electronics®
Industry Leading 10 Year Limited Warranty
For North American LED Lighting Fixtures

ATG Electronics warrants to the original purchaser of ATG Electronics Domestic LED products listed above that were manufactured for which the ATG Electronics Spec Sheet located on our website contains the words "10 year limited warranty" that, subject to the below terms and conditions of this warranty, when such LED products are properly installed they will comply with ATG Electronics published product specifications for such products and will be free from material defects in material and workmanship for a period of ten (10) years from the date of sale by ATG Electronics, or, if lesser, 50,000 hours of operation (at an average of 13.6 hours per day operation). The LED arrays in the Product(s) will be considered defective in material or workmanship only if a total of 15% or more of the individual light emitting diodes in the Product(s) fail to illuminate.

The above express limited warranty is extended by ATG Electronics® only to the original or first end-user purchaser and only for the original installed location. This warranty only applies to products purchased after June 1, 2017. This warranty is non-transferrable, whether by assignment or operation of law. The original purchaser must provide warranty claims to ATG Electronics within the warranty period promptly upon discovery and in accordance with ATG Electronics Return and Repair Procedures as outlined within this document.

Should any defects be found by ATG Electronics upon its inspection of the properly returned product, ATG Electronics sole responsibility and liability under this warranty will be, at its option, to either repair or replace the defective part or parts or else make available a new replacement unit that will provide equal or better performance. All decisions regarding the existence or non-existence of defects or otherwise affecting the warranty shall be made by ATG ELECTRONICS and shall be final and binding on all parties. Where a defective LED product is replaced under this warranty, the balance of the original warranty period shall remain effective.

Conditions and Exclusions

This warranty is conditioned upon proper installation, use and maintenance. This warranty will automatically become null and void and shall not be applicable to any LED fixture which (i) has not been timely paid for, (ii) is not installed and operated in accordance with the current edition of The National Electric Code (NEC), the Standards for Safety of Underwriters' Laboratory, Inc. (UL) or with ATG Electronics instructions and guidelines, (iii) has been moved from its original installation, (iv) has been installed within an area that has exposure to sulfur or any area with high acidic compounds in use, (v) has been operated in an ambient temperature or humidity that is higher than 35 degrees Celsius, (vi) has been subjected to a lightning strike, power surge or overvoltage condition, (vii) has its LED Board subjected to static electricity due to failure to discharge same prior to connecting or disconnecting the lead from the LED board, (viii) was not installed and/or operated in accordance with ATG Electronics instructions and guidelines, (ix) has been mishandled, misused, abused, tampered with, modified or altered by anyone other than ATG ELECTRONICS, (x) has been subjected to abnormal stresses and operating conditions, or (xi) has been operated without overvoltage and lightning protection devices in place.

Limitations

Disclaimers & Limitations of Liability

The foregoing warranty is exclusive of all other statutory, written or oral warranties and no other warranties of any kind, statutory, by operation of law or course of performance, or otherwise, are given, herein expressed or otherwise received. EXCEPT AS EXPRESSLY PROVIDED ABOVE, ATG ELECTRONICS DISCLAIMS ALL REPRESENTATIONS, WARRANTIES AND CONDITIONS OF ANY KIND, EXPRESS OR IMPLIED, REGARDING THE LED PRODUCTS AND ITS SERVICES, INCLUDING, WITHOUT LIMITATION, THE IMPLIED WARRANTIES OF MERCHANTABILITY AND FITNESS FOR A PARTICULAR USE OR PURPOSE.

LIMITATION OF LIABILITY. Other than the obligation to repair or replace as provided above, ATG Electronics shall have no liability for any losses, expenses or damages as a result of the installation, use, inability to use, removal or replacement of any LED product. ATG Electronics will not under any circumstances whether as a result of breach of contract, breach of warranty, tort, strict liability or otherwise be liable for consequential, incidental, special or exemplary damages including but not limited to, loss of profits or revenues, loss of any other goods or associated equipment or damage to any associated equipment, cost of capital, cost of substitute products, facilities or services, down time cost or claims of claimant's customers. ATG Electronics liability on any claim of any kind for any loss or damages arising out of, resulting from or concerning any LED product, any aspect of this warranty or for any products or services furnished hereunder shall not exceed the price of the fixture which gives rise to the claim.

Return and Repair Procedures

All warranty requests and or questions are to be directed to ATG Electronics Customer Service Department (CSD) at 888-618-7298. If deemed necessary, the CSD will issue a Returned Merchandise Authorization (RMA) number which must be included on both the packing slip of the component or fixture being returned and on the outside of the box. You must include your name and contact information, including your email address, on the packing slip so that we can contact you easily. Each component or fixture must be packaged very carefully and properly so as to prevent damages in shipment and must be shipped freight prepaid. Please obtain a proof of delivery to ensure that the material is received.

Once the component or fixture has been received and tested, an evaluation report will be provided to the end user via email. This report will clarify the following:

- A) The component / fixture is covered under the warranty policy and will either be repaired or replaced.
- B) The component / fixture is not covered under the warranty policy and the reason for this determination.

If ATG ELECTRONICS determines that the component or fixture is covered under the warranty, then the appropriate repairs will be started or a replacement fixture will be manufactured and shipped. Please note that in the event the returned component or fixture is found not to be covered under this warranty, you may be subject to a labor charge for the evaluation process and will be responsible for all return shipping charges and fees. For components and fixtures determined to be covered under this warranty prior to the first anniversary of the Sale Date, the repaired or replacement component or fixture will be returned to you at no charge. You will be responsible for all other shipping charges.

No Labor Reimbursement

All components and fixtures determined to be covered by this warranty as provided above, will be repaired or replaced at no charge to the customer, however, except as expressly provided above with respect to recessed and linear fixtures during the first year, the customer must hire and pay for an electrician to remove and reinstall such components and fixtures. No labor costs will be covered for the removal or reinstallation of any components or fixtures. The warranty does not cover modifications, repairs or replacements, or the related labor or materials costs, that may be necessary to facilities or third party products in connection with the removal, repair, or replacement of any LED product under this warranty.